

EJ-M超短款金属按钮 / Ultra Short Metal Button



■ 特性 / Features

- 安装直径12/16/19/22/25mm
- 防护等级: IP67/IP68/IK10
- 弹片: 不锈钢材质
- LED超高亮冷光源灯显示
- 专用特殊磨砂不锈钢环, 整体
- 超短行程: $\leq 0.5\text{mm}$

符合IEC60947-5-1 GB14048.5标准
Conform to IEC60947-5-1 GB14048.5 Standard

主要技术参数 / Technical Parameter

| | |
|------------------------------|--|
| 保护等级/Degree of Protection | IP67/IP68 |
| 触点类型/Contact Type | 1 NO |
| 额定电压/Rated Voltage | DC36V |
| 额定电流/Rated Current | 2A |
| 最小负载/Minimum Applicable Load | 3V AC/DC, 1mA |
| 触点材料/Contact material | Silver plated |
| 运行温度/Operating Temperature | -25° to +55°C |
| 操作湿度/Operating Humidity | 45 to 85% RH |
| 接触电阻/Contact Resistance | $\leq 50\text{m}\Omega$ |
| 绝缘电阻/Insulation Resistance | $\leq 50\text{m}\Omega$ |
| 震荡电阻/Vibration Resistance | 10 to 55Hz, amplitude 1.2mm p-p |
| 保护等级/Degree of Protection | >10g |
| 电气寿命/Electrical Life | 200,000 operations minimum (at full rated load) |
| 机械寿命/Mechanical Life | 1,000,000 operations minimum |
| 耐压/Dielectrical Life | Switch Unit: 2,000V AC, 1 min. between live/dead part and terminals of different poles; 1,000V AC, 1 minute between terminals of the same pole; 1,500V AC, 1 minute between contact and lamp terminals. Illumination Unit: 2,000V AC, 1 min. between live part/ground |
| 连接形式/Connection Form | Foot welding |
| 锡焊温度/Soldering Temperature | 20W/5 seconds or 260°C/3 seconds |
| 拧紧力矩/Tightening Torque | 5-14N.m |
| 动作行程/Action Stroke | $\leq 0.5\text{mm}$ |
| 动作力/Action Force | $\leq 3\text{N}$ |

尺寸超短、行程超短



按钮开关型号命名 / Pushbutton Select Code

| | | | | | | | | |
|--------------------------------------|-----------------------|--|-----------------------|--|---|--|---|--|
| EJ-M | — | | | | | — | | |
| 安装尺寸 Install Size | 动作方式 Action Style: | 头部形状 Shape of Top: | 触点形式 Contact Type: | 安装方式 Install Style: | 颜色/Color: | 电压/Voltage: | 材料/Material: | |
| 12mm 16mm 19mm 22mm 25mm | 2:自复按钮 2:Momentary | 1:平头 7:环面带灯 1: Flat Round 7: Ring Illuminated | 1:1NO | A:螺丝型 Screw Type P:焊线型 PCB Type | R 红色 / Red G 绿色 / Green B 蓝色 / Blue W 白色 / White Y 黄色 / Yellow O 橘色 / Orange | D:24VDC E:12VDC F:6.3VDC G:3VDC | 空:不锈钢 A:铝 T:铜镀铬 Ni:Stainless steel Al: Aluminium T: Copper plated Cr | |

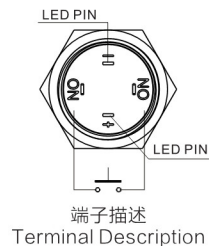
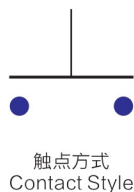
注：常规的定制都是不锈钢外壳，如需铜镀铬外壳，请在型号后面加T。

Note: The regular material is Stainless steel, if you want Copper Plated Cr, please add T behind.

灯珠规格 / Lamp Ratings

| | |
|--|---|
| 灯珠类型/Lamp Type | LED灯珠(直流) LED lamp(DC) |
| 额定电压/Rated Voltage | 3V,6V,12V,24V |
| 额定电流/Rated Current | 约15mA 约2mA About 15mA About 2mA |
| 发光颜色/LED Color | R G Y O B W |
| 寿命/Life | 50000小时(参考值) 50000 hours(Reference) |
| 灯珠等效电路/Lamp Circuit diagram | <p>内置电阻; 采用0603贴片灯珠。 Built in resistors; use 0603 patch beads.</p> |
| 功率/Power | 0.06W |
| 显色指数/Chromogenic index | 60-70 |
| 光通量/Luminous flux | 80-100mcd(lm) |
| 正向电压/Forward voltage | 2.0-3.2V |
| 反向电压/Reverse voltage | 3V |
| 静电击穿电压 (ESD) Electrostatic breakdown voltage | 3000V |
| 额定电流/Rated current | 0.006A |
| 发光角度/Lighting angle | 120° |
| 发光效率/Luminous efficiency | 110(lm/W) |
| 热阻/thermal resistance | ≤50°C/W |
| 最大允许结温 Maximum allowable junction temperature | 120°C |
| 老化时间/Ageing time | 1000小时常规老化100%; 6000小时常规老化98% 1000 hours of conventional aging 100%; 6000 hours conventional aging 98% |

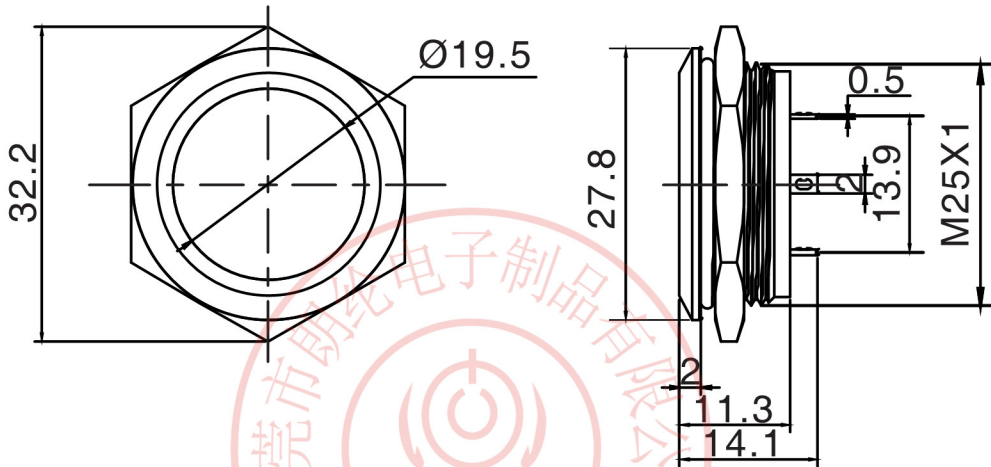
触点示意图 / Contact Diagram



EJ-M超短款金属按钮

EJ-M超短款金属按钮/Ultra short metal button

| 名称/外观 Product appearance | 带灯形式 Illuminated type | 操作类别 Operation | 触点 Contact | 产品型号 Model | 外壳材料 Crust Material |
|---|--------------------------|-------------------|---------------|-------------------|---|
| 平面圆形 / Domed round  | 带灯 With LED | 自复 Momentary | 1NO | EJ25-211PM | 空:不锈钢 A:铝 G:铜镀铬 Nil:Stainless steel A: Aluminium T: Copper plated Cr |



| 名称/外观 Product appearance | 安装形式 Install Style | 操作类别 Operation | 触点 Contact | 产品型号 Model | 颜色 Color | 额定电压 Rated Voltage | 外壳材料 Crust Material |
|---|-----------------------|-------------------|---------------|-----------------------|--|---|---|
| 环面带灯 / Domed round  | 焊线型 PCB Type | 自复 Momentary | 1NO | EJ25-271PM □ ● | 请用下列颜色编码 替换型号中的"□" R 红色/Red G 绿色/Green Y 黄色/Yellow W 白色/White B 蓝色/Blue O 橘色 / Orange | 请用下列颜色编码 替换型号中的"●" D:24VDC E:12VDC F:6.3VDC A1:110VAC A2:220VAC | 空:不锈钢 A:铝 T:铜镀铬 Nil:Stainless steel A: Aluminium T: Copper plated Cr |

