

1 2 3 4 5 6 7 8

REV	LOCATIONS	DESCRIPTION	DATE	REVISER	APPD



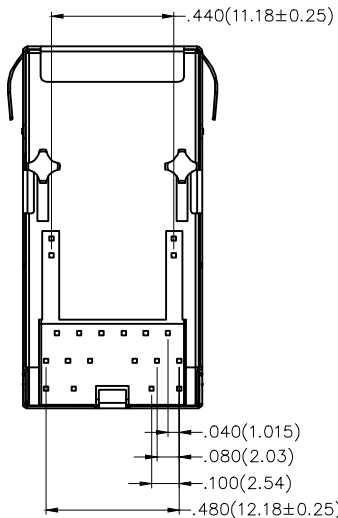
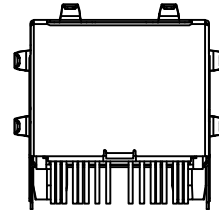
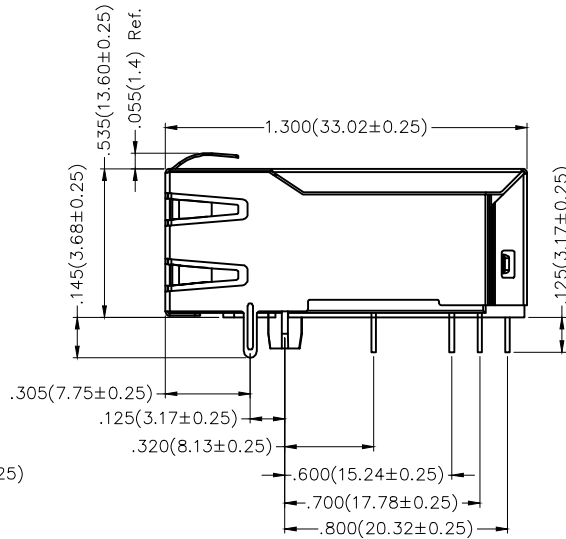
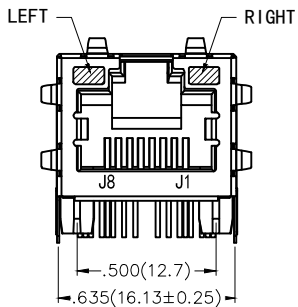
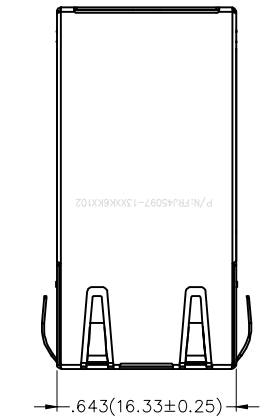
SPECIFICATIONS

Electrical

Current Rating: 1.5A AC(rms)/DC
 Voltage Rating: 125V AC(rms)/DC
 Contact Resistance: 30 mΩ Max
 Insulation Resistance: 500 MΩ Min / DC 500V
 Withstanding Voltage: 500V AC r.m.s
 Operating Temperature: -40°C~+85°C

Material and plating

Housing: PA46 (UL 94V-0), Black
 Contact: Phosphor Bronze/ Selective gold in contact area, tin on tail
 Shell: Brass/ Nickel plated



Ordering Information

FRJ45 097 - 1 3 XX K6 K X 1 0 2
 1 2 3 4 5 6 7 8 9 10

1 Category FRJ45-RJ45 Connector	2 Distinction No. 097	3 Ports options 1-1 Port	4 Plating 3-Selective gold in contact area, tin on tail	5 Thickness of plating 00-Gold flash 06-6μ" Custom plate available
6 Color-Resin K6-Black	7 Packaging K-Tray	8 LED style 1-L: Yellow R: Green 2-L: Green R: Yellow	9 Contact type 1-Square pin	10 Pin circuits 2-1000Base-T



THIRD ANGLE PROJECTION	GENERAL TOLERANCES (UNLESS SPECIFIED)		APPROVE BY FRANK	DATE 12/DEC/18	PART NO. FRJ45097-13XXK6KX102	ITEM NO. FRJ45097	
	DESIGN UNITS Inch (metric)	X.±.012(0.30) X.X±.008(0.20) X.XX±.006(0.15) X.XXX±.004(0.10)	X.±5° .X'±2° .XX'±1° .XXX'±0.5°	CHECKED BY CHERRY	DATE 12/DEC/18	TITLE RJ45 Connector 12P8C 90° Angle (1000Base-T)(POE 30W)	
SCALE 5:1	SIZE A4		DRAWN BY KATE	DATE 12/DEC/18	THIS DRAWING CONTAINS INFORMATION THAT IS PROPRIETARY TO DONG GUAN LANG LUN(3K-KAMING) ELECTRONIC PRODUCTS CO.,LTD. AND SHOULD NOT BE USED WI THOUT WRITTEN PERMISSION		REV 0 SHEET NO. 1/2

1 2 3 4 5 6 7 8

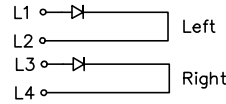
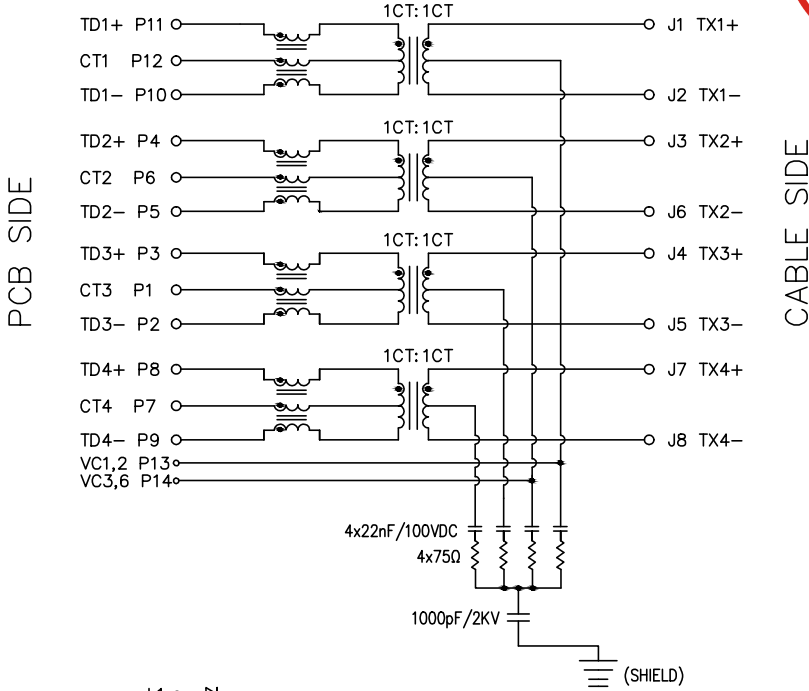
REV	LOCATIONS	DESCRIPTION	DATE	REVISER	APPD



Electrical Specifications

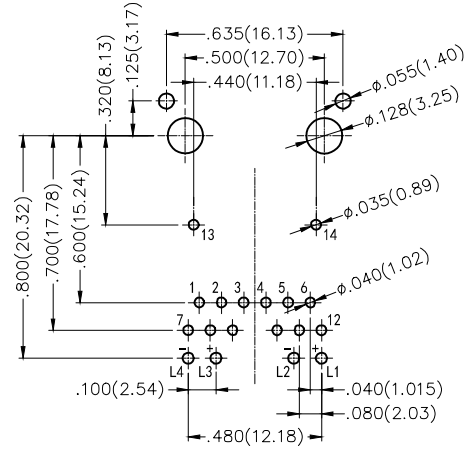
- Operating temperature: 0°C~+70°C
- TR: 1:1(±3%)
- Open circuit inductance (OCL):
220uH Min@100KHz/100mV with 19mA DC Bias for(Channel 1,2,3,4)
350uH Min@100KHz/100mV with 8mA DC Bias for(Channel 1,2,3,4)
- Insertion loss (IL): -1.0dB Max. @ 0.3MHz~100MHz
- Return loss (RL)(Z out=100Ω):
-18dB Min. @ 1MHz~30MHz;
-13dB Min. @ 30MHz~60MHz;
-10dB Min. @ 60MHz~100MHz
- Cross talk (Adjacent channels):
-30dB Min. @ 1MHz~100MHz
- Common mode rejection ratio (CMRR):
-30dB Min. @ 1MHz~100MHz
- DC current/voltage rating-PSE pins:
600mA Max. @ 57V DC(Continuous) for PSE Channel (P13&P14)
- Hi-Pot: 2250V DC @ 60 Sec.

SCHEMATIC



CABLE SIDE

PCB SIDE



Recommended P.C.Board Layout

Tolerances: ±.002(0.05)

LED Specification

Standard LED Color	LED Wavelength	Foward(A)	Foward(V)	TYP
Green	565nm	20mA	2.4V	2.2V
Yellow	590nm	20mA	2.5V	2.1V

<p>THIRD ANGLE PROJECTION</p>	GENERAL TOLERANCES (UNLESS SPECIFIED)		APPROVE BY FRANK	DATE 12/DEC/18	PART NO. FRJ45097-13XXK6KX102	ITEM NO. FRJ45097	<p>3K-KAMING</p>
	X.±.012(0.30)	X.±5'	CHECKED BY CHERRY	DATE 12/DEC/18	TITLE RJ45 Connector 12P8C 90° Angle (1000Base-T)(POE 30W)		
	X.X±.008(0.20)	.X'±2'	DRAWN BY KATE	DATE 12/DEC/18	REV 0	SHEET NO. 2/2	
	X.XX±.006(0.15)	.XX'±1'	THIS DRAWING CONTAINS INFORMATION THAT IS PROPRIETARY TO DONG GUAN LANG LUN(3K-KAMING) ELECTRONIC PRODUCTS CO., LTD. AND SHOULD NOT BE USED WI THOUT WRITTEN PERMISSION				
SCALE 5:1	SIZE A4	X.XXX±.004(0.10)	.XXX±0.5'				