

REV	LOCATIONS	DESCRIPTION	DATE	REVISER	APPD



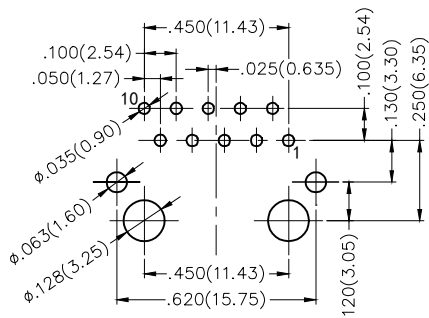
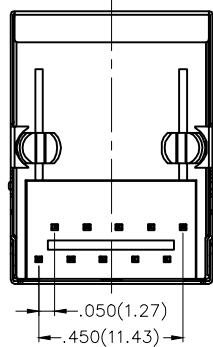
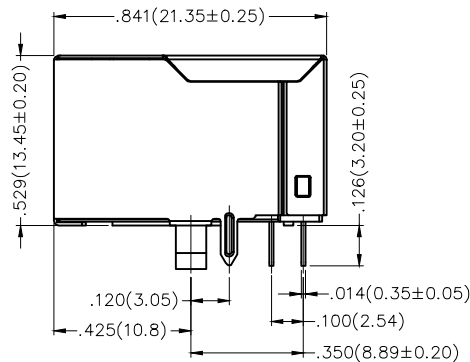
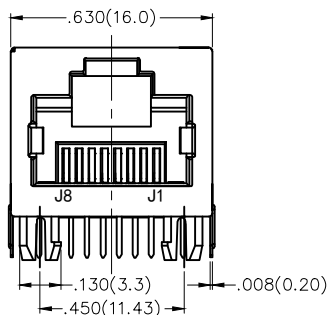
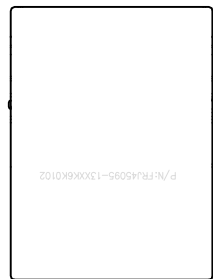
SPECIFICATIONS

Electrical

Current Rating: 1.5A AC(rms)/DC
 Voltage Rating: 125V AC(rms)/DC
 Contact Resistance: 30 mΩ Max
 Insulation Resistance: 500 MΩ Min / DC 500V
 Withstanding Voltage: 500V AC r.m.s
 Operating Temperature: -40°C~+85°C

Material and plating

Housing: PA46 (UL 94V-0), Black
 Contact: Phosphor Bronze/ Selective gold in contact area, tin on tail
 Shell: Brass/ Nickel plated



Recommended P.C.Board Layout

Tolerances: ±.002(0.05)

Ordering Information

FRJ45 095 - 1 3 XX K6 K 0 1 0 2
 1 2 3 4 5 6 7 8 9

1 Category FRJ45-RJ45 Connector	2 Distinction No. 095	3 Ports options 1-1 Port	4 Plating 3-Selective gold in contact area, tin on tail
5 Thickness of plating 00-Gold flash 06-6μ" Custom plate available	6 Color-Resin K6-Black	7 Packaging K-Tray	8 Contact type 1-Square pin
		9 Pin circuits 2-1000Base-T	



<p>THIRD ANGLE PROJECTION</p>	GENERAL TOLERANCES (UNLESS SPECIFIED)		APPROVE BY FRANK	DATE 16/DEC/18	PART NO. FRJ45095-13XXK6K0102	ITEM NO. FRJ45095	<p>3K-KAMING</p>
	X.±.012(0.30)	X.±5'	CHECKED BY CHERRY	DATE 16/DEC/18	TITLE RJ45 Connector 10P8C 90° Angle (1000Base-T)		
DESIGN UNITS Inch (metric)	X.X±.008(0.20)	.X'±2'	DRAWN BY KATE	DATE 16/DEC/18	THIS DRAWING CONTAINS INFORMATION THAT IS PROPRIETARY TO DONG GUAN LANG LUN(3K-KAMING) ELECTRONIC PRODUCTS CO., LTD. AND SHOULD NOT BE USED WI THOUT WRITTEN PERMISSION		
SCALE 5:1	SIZE A4	X.XX±.006(0.15)	.XX'±1'				
		X.XXX±.004(0.10)	.XXX±0.5'				

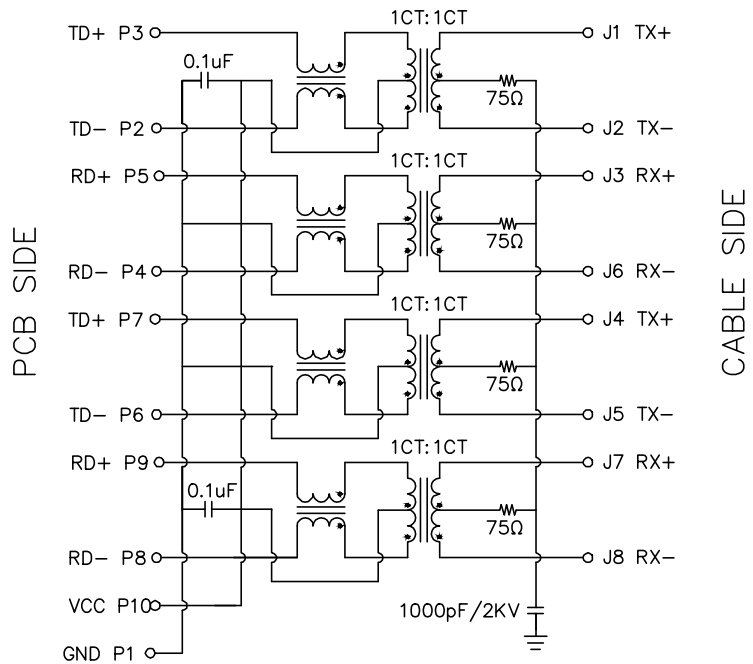
1 2 3 4 5 6 7 8

REV	LOCATIONS	DESCRIPTION	DATE	REVISER	APPD

A
B
C
D
E
F

A
B
C
D
E
F

SCHEMATIC



Electrical Specifications

- TR: (100KHz,0.1V)
Input to output=1:1(±3%)
- LX: (100KHz,100mV,8mA,DC bias)
350uH Min.
- DCR: 1.2Ω Max.
- Hi-Pot:
Input to output=1500V AC for 60 Sec.
- Return loss:
-1.0dB Max. @ 0.3MHz~100MHz
- Return loss:
-20dB Min. @ 1MHz~30MHz;
-15dB Min. @ 30MHz~60MHz;
-10dB Min. @ 60MHz~80MHz
- Cross talk:
-30dB Min. @ 1MHz~100MHz
- Common to common mode rejection:
-30dB Min. @ 1MHz~100MHz



<p>THIRD ANGLE PROJECTION</p>	GENERAL TOLERANCES (UNLESS SPECIFIED)		APPROVE BY FRANK	DATE 16/DEC/18	PART NO. FRJ45095-13XXK6K0102	ITEM NO. FRJ45095	<p>3K-KAMING®</p>
	X.±.012(0.30)	X.±5'	CHECKED BY CHERRY	DATE 16/DEC/18	TITLE RJ45 Connector 10P8C 90° Angle (1000Base-T)		
DESIGN UNITS Inch (metric)	X.X±.008(0.20)	.X'±2'	DRAWN BY KATE	DATE 16/DEC/18	THIS DRAWING CONTAINS INFORMATION THAT IS PROPRIETARY TO DONG GUAN LANG LUN(3K-KAMING) ELECTRONIC PRODUCTS CO., LTD. AND SHOULD NOT BE USED WITHOUT WRITTEN PERMISSION		
SCALE 5:1	SIZE A4	X.XX±.006(0.15)					
		X.XXX±.004(0.10)					

1 2 3 4 5 6 7 8