

REV	LOCATIONS	DESCRIPTION	DATE	REVISER	APPD

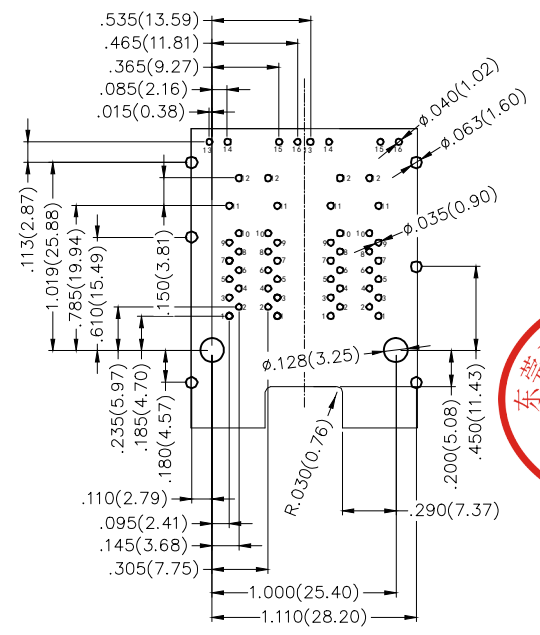
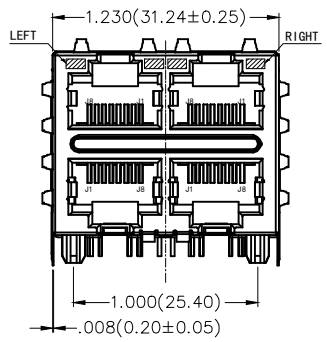
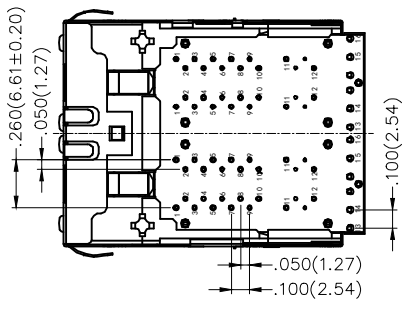
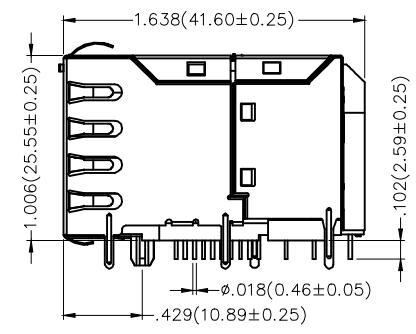
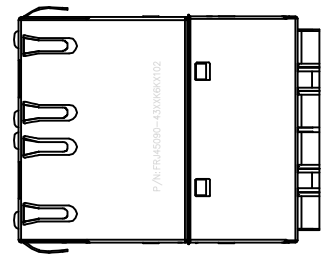
SPECIFICATIONS

Electrical

Current Rating: 1.5A AC(rms)/DC
 Voltage Rating: 125V AC(rms)/DC
 Contact Resistance: 30 mΩ Max
 Insulation Resistance: 500 MΩ Min / DC 500V
 Withstanding Voltage: 500V AC r.m.s
 Operating Temperature: -40°C~+85°C

Material and plating

Housing: PBT (UL 94V-0), Black
 Contact: Phosphor Bronze/ Selective gold in contact area, tin on tail
 Shell: Brass/ Nickel plated



Ordering Information

FRJ45 090 - 4 3 XX K6 K X 1 0 2
 1 2 3 4 5 6 7 8 9 10

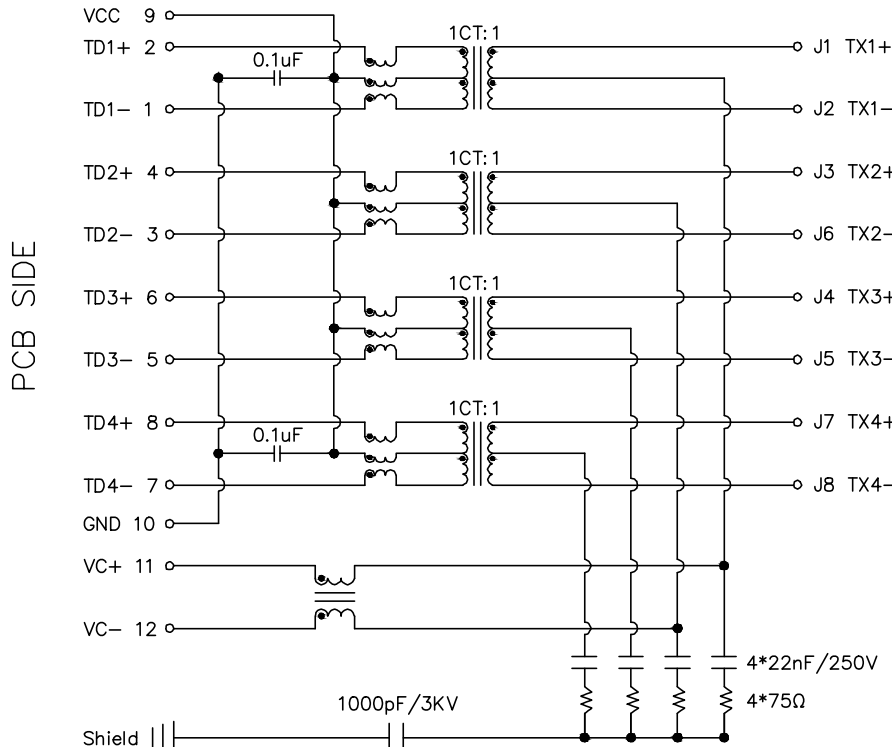
1 Category FRJ45-RJ45 Connector	2 Distinction No. 090	3 Ports options 4-4 Ports	4 Plating 3-Selective gold in contact area, tin on tail	5 Thickness of plating 00-Gold flash 03-3μ" Custom plate available
6 Color-Resin K6-Black	7 Packaging K-Tray	8 LED style 1-L: Yellow R: Green 2-L: Green R: Yellow	9 Contact type 1-Square pin	10 Pin circuits 2-1000Base-T



 THIRD ANGLE PROJECTION	GENERAL TOLERANCES (UNLESS SPECIFIED)		APPROVE BY FRANK	DATE 16/APR/18	PART NO. FRJ45090-43XXK6KX102	ITEM NO. FRJ45090	 3K-KAMING
	DESIGN UNITS Inch (metric)	X.±.012(0.30) X.X±.008(0.20) X.XX±.006(0.15) X.XXX±.004(0.10)	X.±5° .X'±2° .XX'±1° .XXX'±0.5°	CHECKED BY CHERRY	DATE 16/APR/18	TITLE RJ45 Connector 10P8C 90° Angle (1000Base-T)	
SCALE 5:1	SIZE A4		DRAWN BY KATE	DATE 16/APR/18	THIS DRAWING CONTAINS INFORMATION THAT IS PROPRIETARY TO DONG GUAN LANG LUN(3K-KAMING) ELECTRONIC PRODUCTS CO., LTD. AND SHOULD NOT BE USED WITHOUT WRITTEN PERMISSION		

REV	LOCATIONS	DESCRIPTION	DATE	REVISER	APPD

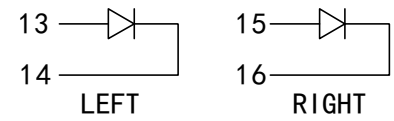
SCHEMATIC



CABLE SIDE

Electrical Specifications

- Turn ratio: 2~1: J1~J2=1CT:1CT(±2%)
4~3: J3~J6=1CT:1CT(±2%)
6~5: J4~J5=1CT:1CT(±2%)
8~7: J7~J8=1CT:1CT(±2%)
- OCL: 350uH Min.@100KHz/100mV
RMS(4Channel) 15mA DC BIAS
- Insertion Loss: -1.0dB Max@1~100MHz
- Return loss: -20dB Min@1~10MHz
-16dB Min@10~30MHz
-12dB Min@30~60MHz
-10dB Min@60~80MHz
- Cross talk: -40dB Min@1~30MHz
-35dB Min@30~60MHz
-30dB Min@60~100MHz
- CMR: -30dB Min@1~100MHz
- Hi-Pot: 2250V DC 6S 1mA PRI TO SEC
- Single port magnetic jack POE magnetics acc. To IEEE802.3at for PSE or PD applications.
- 100% of production tested to comply with IEEE 802.3 isolation requirements balanced DC line current 720mA max. @57V DC continuous.



LED Specification

Standard LED Color	LED Wavelength	Foward(A)	Foward(V)
Green	568nm	20mA	1.85-2.45V
Yellow	585nm	20mA	1.7-2.2V

<p>THIRD ANGLE PROJECTION</p>	GENERAL TOLERANCES (UNLESS SPECIFIED)		APPROVE BY FRANK	DATE 16/APR/18	PART NO. FRJ45090-43XXK6KX102	ITEM NO. FRJ45090	<p>3K-KAMING®</p>	
	DESIGN UNITS Inch (metric)	X.X±.012(0.30) X.X±.008(0.20) X.XX±.006(0.15) X.XXX±.004(0.10)	X.±5° .X'±2° .XX'±1° .XXX'±0.5'	CHECKED BY CHERRY	DATE 16/APR/18	TITLE RJ45 Connector 10P8C 90° Angle (1000Base-T)		
	SCALE 5:1	SIZE A4		DRAWN BY KATE	DATE 16/APR/18	REV 0		SHEET NO. 2/2
<p>THIS DRAWING CONTAINS INFORMATION THAT IS PROPRIETARY TO DONG GUAN LANG LUN(3K-KAMING) ELECTRONIC PRODUCTS CO., LTD. AND SHOULD NOT BE USED WITHOUT WRITTEN PERMISSION</p>								