

1 2 3 4 5 6 7 8

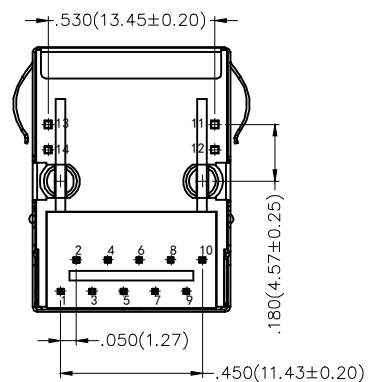
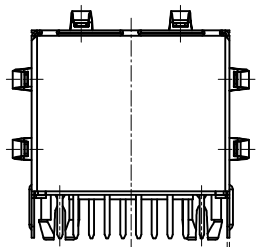
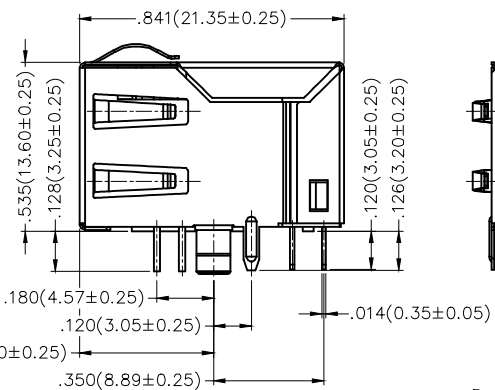
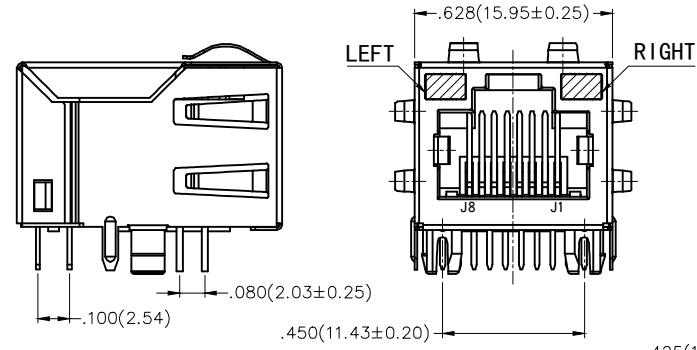
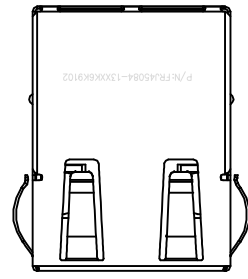
REV	LOCATIONS	DESCRIPTION	DATE	REVISER	APPD



SPECIFICATIONS

Electrical
 Current Rating: 1.5A AC(rms)/DC
 Voltage Rating: 125V AC(rms)/DC
 Contact Resistance: 30 mΩ Max
 Insulation Resistance: 500 MΩ Min / DC 500V
 Withstanding Voltage: 500V AC r.m.s
 Operating Temperature: -40°C~+85°C

Material and plating
 Housing: PA66 (UL 94V-0), Black
 Contact: Phosphor Bronze/ Selective gold in contact area, tin on tail
 Shell: Brass/ Nickel plated



Ordering Information

FRJ45 084 - 1 3 XX K6 K 9 1 0 2
 1 2 3 4 5 6 7 8 9 10

1 Category FRJ45-RJ45 Connector	2 Distinction No. 084	3 Ports options 1-1 Port	4 Plating 3-Selective gold in contact area, tin on tail	5 Thickness of plating 00-Gold flash 03-3μ" Custom plate available
6 Color-Resin K6-Black	7 Packaging K-Tray	8 LED style 9-L: Green+yellow R: Green+yellow	9 Contact type 1-Square pin	10 Pin circuits 2-1000Base-T

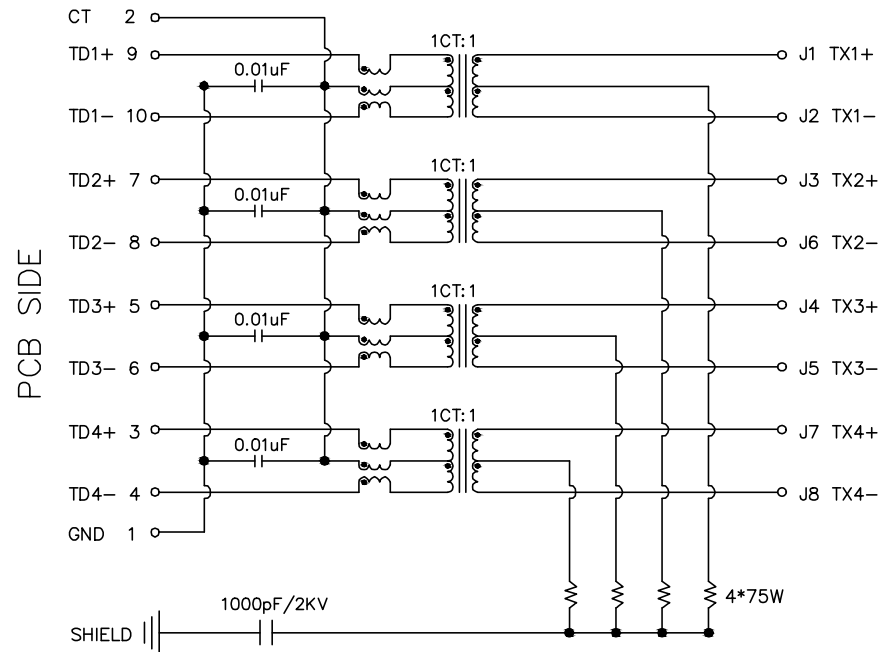


THIRD ANGLE PROJECTION	GENERAL TOLERANCES (UNLESS SPECIFIED)		APPROVE BY FRANK	DATE 16/APR/18	PART NO. FRJ45084-13XXK6K9102	ITEM NO. FRJ45084	
	X.±.012(0.30)	X.±5'	CHECKED BY CHERRY	DATE 16/APR/18	TITLE RJ45 Connector 10P8C 90° Angle (1000Base-T)		
DESIGN UNITS Inch (metric)	X.X±.008(0.20)	X.±2'	DRAWN BY KATE	DATE 16/APR/18	THIS DRAWING CONTAINS INFORMATION THAT IS PROPRIETARY TO DONG GUAN LANG LUN(3K-KAMING) ELECTRONIC PRODUCTS CO.,LTD. AND SHOULD NOT BE USED WITHOUT WRITTEN PERMISSION		
SCALE 5:1	SIZE A4	X.XX±.006(0.15)	X.±1'				
		X.XXX±.004(0.10)	.XX±0.5'				

1 2 3 4 5 6 7 8

REV	LOCATIONS	DESCRIPTION	DATE	REVISER	APPD

SCHEMATIC



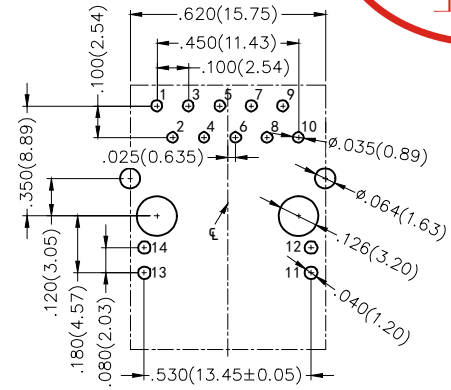
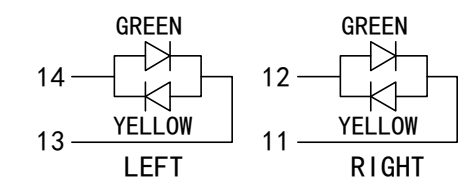
Electrical Specifications

Turn ratio: 9~10: J1~J2=1CT:1CT(±2%)
 7~8: J3~J6=1CT:1CT(±2%)
 5~6: J4~J5=1CT:1CT(±2%)
 3~4: J7~J8=1CT:1CT(±2%)

OCL: 350uH Min.@100KHz/100mV with 8mA DC bias
 Insertion Loss: -1.0dB Max@1~100MHz
 Return loss(Z out=100 OHM): -20dB Min@1~10MHz
 -16dB Min@10~30MHz
 -12dB Min@30~60MHz
 -10dB Min@60~80MHz

Cross talk: -40dB Min@1~30MHz
 -35dB Min@30~60MHz
 -30dB Min@60~100MHz

CMR: -35dB Min@1~100MHz
 Hi-Pot: 1500V AC & 2250V DC
 6S 1mA PRI TO SEC



Recommended P.C.Board Layout

Tolerances: ±.002(0.05)

LED Specification

Standard LED Color	LED Wavelength	Foward(A)	Foward(V)
Green	568nm	20mA	1.8-2.8V
Yellow	585nm	20mA	1.8-2.8V

 THIRD ANGLE PROJECTION	GENERAL TOLERANCES (UNLESS SPECIFIED)		APPROVE BY FRANK	DATE 16/APR/18	PART NO. FRJ45084-13XXK6K9102	ITEM NO. FRJ45084	 3K-KAMING		
	X.±.012(0.30)	X.±5'	CHECKED BY CHERRY	DATE 16/APR/18	TITLE RJ45 Connector 10P8C 90° Angle (1000Base-T)			REV 0	SHEET NO. 2/2
	X.X±.008(0.20)	.X'±2'	DRAWN BY KATE	DATE 16/APR/18	<small>THIS DRAWING CONTAINS INFORMATION THAT IS PROPRIETARY TO DONG GUAN LANG LUN(3K-KAMING) ELECTRONIC PRODUCTS CO., LTD. AND SHOULD NOT BE USED WITHOUT WRITTEN PERMISSION</small>				
	X.XX±.006(0.15)	.XX'±1'	SCALE 5:1	SIZE A4					
X.XXX±.004(0.10)	.XXX±0.5'								