

REV	LOCATIONS	DESCRIPTION	DATE	REVISER	APPD



SPECIFICATIONS

Electrical

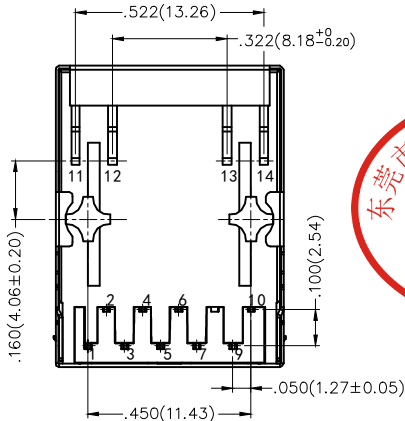
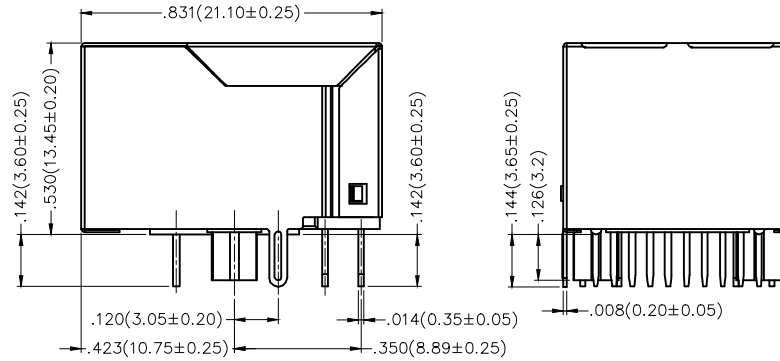
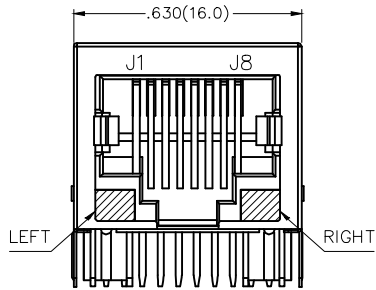
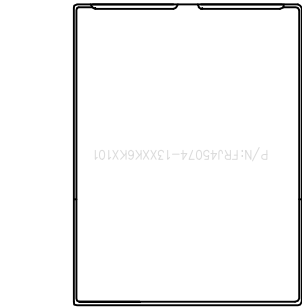
Current Rating: 1.5A AC(rms)/DC
Voltage Rating: 125V AC(rms)/DC
Contact Resistance: 30 mΩ Max
Insulation Resistance: 500 MΩ Min / DC 500V
Withstanding Voltage: 500V AC r.m.s
Operating Temperature: -40°C~+85°C

Mechanical

Durability: 750 cycles Min.
Mating force: 23N Max.

Material and plating

Housing: PBT (UL 94V-0), Black
Contact: Phosphor Bronze/ Selective gold in contact area, tin on tail
Shell: Brass/ Nickel plated



Ordering Information

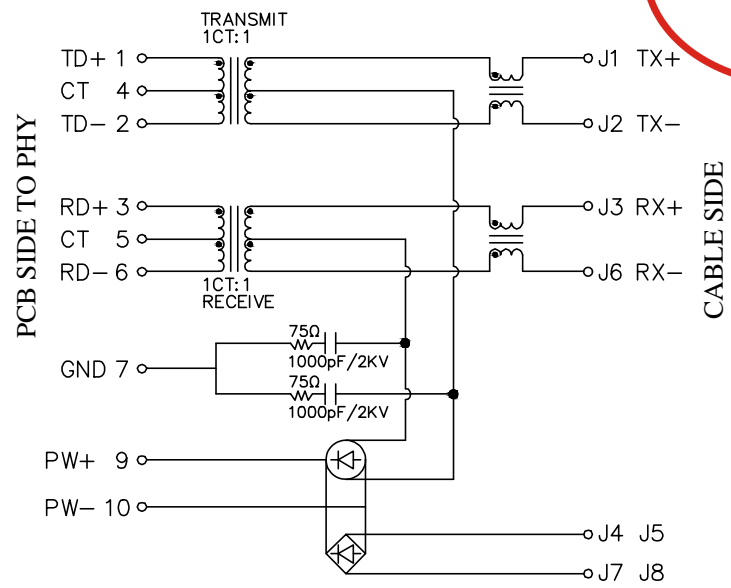
FRJ45 074 - 1 3 XX K6 K X 1 0 1
1 2 3 4 5 6 7 8 9 10

1 Category FRJ45-RJ45 Connector	2 Distinction No. 074	3 Ports options 1-1 Port	4 Plating 3-Selective gold in contact area, tin on tail	5 Thickness of plating 00-Gold flash 06-6μ" Custom plate available
6 Color-Resin K6-Black	7 Packaging K-Tray	8 LED style 1-L: Yellow R: Green 2-L: Green R: Yellow	9 Contact type 1-Square pin	10 Pin circuits 1-100Base-T

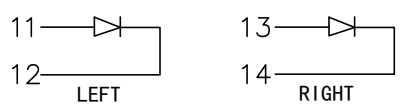
THIRD ANGLE PROJECTION	GENERAL TOLERANCES (UNLESS SPECIFIED)		APPROVE BY FRANK	DATE 16/OCT/17	PART NO. FRJ45074-13XXK6KX101	ITEM NO. FRJ45074	 3K-KAMING® REV 0 SHEET NO. 1/2
	DESIGN UNITS Inch (metric)	X.±0.12(0.30) X.±5' X.X±.008(0.20) .X±2' X.XX±.006(0.15) .XX±1' X.XXX±.004(0.10) .XXX±0.5'	CHECKED BY CHERRY	DATE 16/OCT/17	TITLE RJ45 Connector 10P8C 90° Angle (100Base-T)		
SCALE 5:1	SIZE A4		DRAWN BY KATE	DATE 16/OCT/17	THIS DRAWING CONTAINS INFORMATION THAT IS PROPRIETARY TO DONG GUAN LANG LUN(3K-KAMING) ELECTRONIC PRODUCTS CO.,LTD. AND SHOULD NOT BE USED WITHOUT WRITTEN PERMISSION		

REV	LOCATIONS	DESCRIPTION	DATE	REVISER	APPD

SCHEMATIC

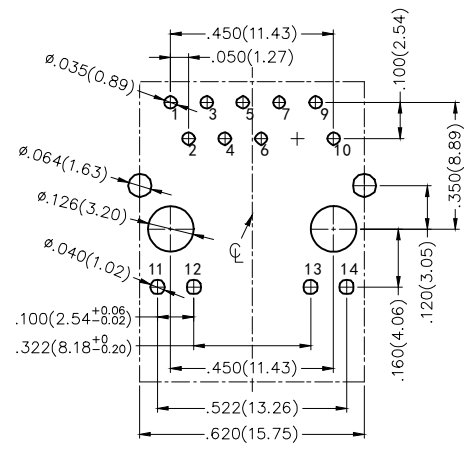


Electrical Specifications@25°C±5°C							
Turns Ratio(±2%)		OCL(uH Min) @100KHz/0.1V		Insertion Loss (dB Max)		Hi-Pot (Vrms)	
TX	RX	With 8mA DC Bias		1-100MHz		2250	
1CT:1CT	1CT:1CT	350		-1.0			
Retrun Loss (dB Min)				Cross talk (dB Min)			CMR (dB Min)
1-10MHz	10-30MHz	30-60MHz	60-80MHz	1-30MHz	30-60MHz	60-100MHz	1-100MHz
-20	-16	-12	-10	-40	-35	-30	-30




LED Specification

Standard LED Color	LED Wavelength	Foward(A)	Foward(V)
Green	568nm	20mA	1.85-2.45V
Yellow	585nm	20mA	1.7-2.2V



Recommended P.C.Board Layout

Tolerances: ±.002(0.05)

THIRD ANGLE PROJECTION		GENERAL TOLERANCES (UNLESS SPECIFIED)		APPROVE BY	DATE	PART NO.	ITEM NO.	 3K-KAMING
		X.±.012(0.30)	X'.±5'	FRANK	16/OCT/17	FRJ45074-13XXK6KX101	FRJ45074	
DESIGN UNITS Inch (metric)		X.X±.008(0.20)	.X'±2'	CHECKED BY	DATE	TITLE		REV 0 SHEET NO. 2/2
SCALE	SIZE	X.XX±.006(0.15)	.XX'±1"	CHERRY	16/OCT/17	RJ45 Connector 10P8C 90° Angle (100Base-T)		
5:1	A4	X.XXX±.004(0.10)	.XXX'±0.5'	DRAWN BY	DATE	THIS DRAWING CONTAINS INFORMATION THAT IS PROPRIETARY TO DONG GUAN LANG LUN(3K-KAMING) ELECTRONIC PRODUCTS CO.,LTD. AND SHOULD NOT BE USED WITHOUT WRITTEN PERMISSION		
				KATE	16/OCT/17			