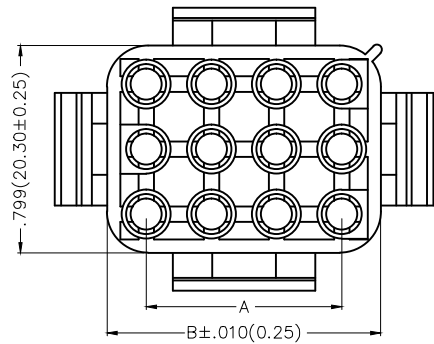


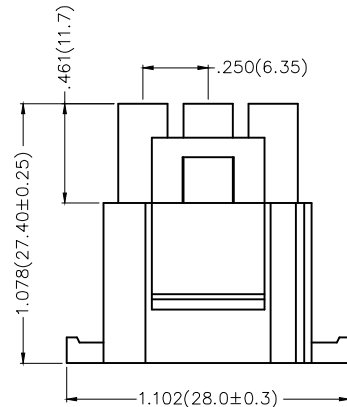
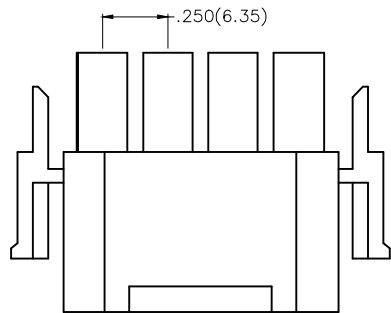
REV	LOCATIONS	DESCRIPTION	DATE	REVISER	APPD



Electrical  
 Temperature Range—Operating: -25°C~+85°C  
 Material  
 Housing: PA66( UL 94V-0)  
 Applicable Terminal: FT63502  
 Mates With: FWF63503 Series.



Circuits (n)	Part No.	Dimensions(in/mm)	
		A	B
9	FHG63503-T09M2TB	.500(12.70)	.803(20.40)
12	FHG63503-T12M2TB	.750(19.05)	1.053(26.75)
15	FHG63503-T15M2TB	1.000(25.40)	1.303(33.10)



### Ordering Information

FHG 635 03 — T XX M 2 T B  
 1 2 3 4 5 6 7 8 9

1	Category FHG-Housing	2	Series Number 635-Pitch6.35mm	3	Distinction No. 03	4	Row Option T-Three Row	5	Circuits XX
6	Entry Type M-Male	7	Material-Resin 2-PA66	8	Color-Resin T-Transparent	9	Packaging B-PE Bag		



 THIRD ANGLE PROJECTION	GENERAL TOLERANCES (UNLESS SPECIFIED)		APPROVE BY FRANK	DATE 18/JUN/13	PART NO. FHG63503-TXXM2TB	ITEM NO. FHG63503	 3K-KAMING®	
	X.±.012(0.30)	X.'±5'	CHECKED BY JACOB	DATE 18/JUN/13	TITLE Wire to Board Pitch 6.35mm(Housing)			REV 0
	DESIGN UNITS Inch (metric)	X.X±.008(0.20)	X'±2'	DRAWN BY CHERRY	DATE 18/JUN/13	THIS DRAWING CONTAINS INFORMATION THAT IS PROPRIETARY TO DONG GUAN LANG LUN(3K-KAMING) ELECTRONIC PRODUCTS CO., LTD. AND SHOULD NOT BE USED WITHOUT WRITTEN PERMISSION		
	SCALE 5:1	SIZE A4	X.XX±.006(0.15)	X'±1'				