



REV	LOCATIONS	DESCRIPTION	DATE	REVISER	APPD
1	△	Part No.: Change FRJ45100 into FRJ45048	31/MAY/18	Vandy	Eric

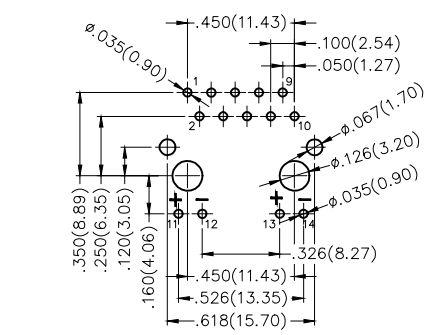
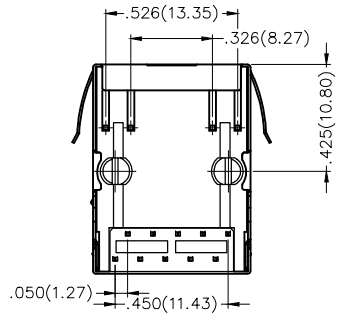
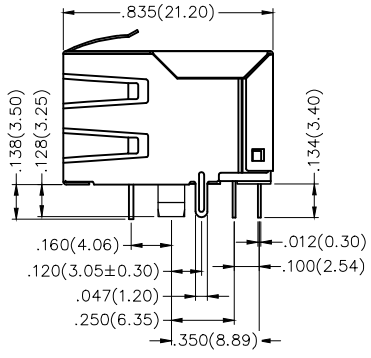
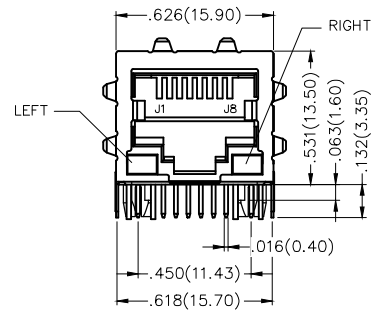
SPECIFICATIONS

Electrical

Current Rating: 1.5A AC(rms)/DC  
 Voltage Rating: 125V AC(rms)/DC  
 Contact Resistance: 40 mΩ Max  
 Insulation Resistance: 1000 MΩ Min / DC 500V  
 Withstanding Voltage: 1000V AC r.m.s  
 Operating Temperature: -20°C~+70°C

Material and Plating

Housing: PBT UL94V-0, Black  
 Contact: Phosphor Bronze/Gold Plated/Selective  
 Gold Plated On Contact Area, Matte Tin Plated On Tails.  
 Shell: Brass T=.008(0.20mm)/Nickel Plated



Recommended P.C.Board Layout

Ordering Information

FRJ45 048 - 1 3 XX K6 K X 1 0 2  
 1 2 3 4 5 6 7 8 9 10

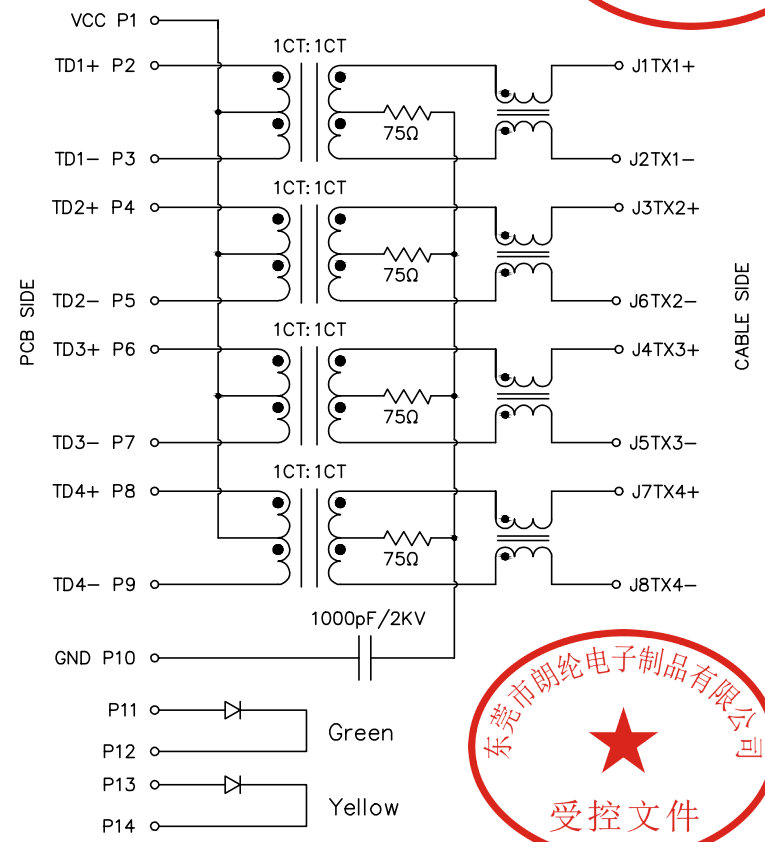
1 Category FRJ45-RJ45 Connector	2 Distinction No. 048	3 Ports options 1-1 Port	4 Plating 3-Selective gold in contact area, tin on tail	5 Thickness of plating 00-Gold flash 03-3μ" Custom plate available
6 Color-Resin K6-Black	7 Packaging K-Tray	8 LED style 1-L: Yellow R: Green 2-L: Green R: Yellow	9 Contact type 1-Square pin	10 Pin circuits 2-1000Base-T

 THIRD ANGLE PROJECTION	GENERAL TOLERANCES (UNLESS SPECIFIED)		APPROVE BY FRANK	DATE 18/JUN/13	PART NO. △ FRJ45048-13XXK6K2102	ITEM NO. FRJ45048	 3K-KAMING
	X.±.012(0.30)	X.±5'	CHECKED BY CHERRY	DATE 18/JUN/13	TITLE RJ45 Connectors 10P8C 90°Angle(1000Base-T)		
DESIGN UNITS Inch (metric)	X.X±.008(0.20)	X.±2'	DRAWN BY KATE	DATE 18/JUN/13	THIS DRAWING CONTAINS INFORMATION THAT IS PROPRIETARY TO DONG GUAN LANG LUN(3K-KAMING) ELECTRONIC PRODUCTS CO.,LTD. AND SHOULD NOT BE USED WITHOUT WRITTEN PERMISSION		
SCALE 5:1	SIZE A4	X.XX±.006(0.15)					
		X.XXX±.004(0.10)					

REV	LOCATIONS	DESCRIPTION	DATE	REVISER	APPD
1					



Schematic



PARAMETER	SPECIFICATIONS
OPERATING TEMPERATURE	0°C to +70°C
URNS RATIO	1:1±2%
INDUCTANCE(OCL)	350uH Min@100KHz/100mV With 8mA DC Bias
INSERTION LOSS	-1.0dB Max@0.3MHz-100MHz;
RETURN LOSS (Z <sub>out</sub> =100 OHM)	-18dB Min@1MHz-30MHz; -13dB Min@30MHz-60MHz; -10dB Min@60MHz-100MHz;
CROSSTALK (ADJACENT CHANNELS)	-30dB Min@1MHz-100MHz;
COMMON MODE REJECTION RATIO	-30dB Min@1MHz-100MHz;
HI-POT	2250 VDC@60 SECONDS

LED SPECIFICATION			
STANDARD LED	WAVELENGTH	Forward V(max)	TYP
GREEN	565nm	2.4V	2.2V
YELLOW	590nm	2.5V	2.1V

\* With A Forward Current of 20mA

 THIRD ANGLE PROJECTION	GENERAL TOLERANCES (UNLESS SPECIFIED)		APPROVE BY FRANK	DATE 18/JUN/13	PART NO. FRJ45048-13XXK6K2102	ITEM NO. FRJ45048	 3K-KAMING®
	DESIGN UNITS Inch (metric)	X.±0.12(0.30) X.±5'	CHECKED BY CHERRY	DATE 18/JUN/13	TITLE RJ45 Connectors 10P8C 90°Angle(1000Base-T)		
SCALE 5:1	SIZE A4	X.XX±.006(0.15) .XX±1"	DRAWN BY KATE	DATE 18/JUN/13	THIS DRAWING CONTAINS INFORMATION THAT IS PROPRIETARY TO DONG GUAN LANG LUN(3K-KAMING) ELECTRONIC PRODUCTS CO.,LTD. AND SHOULD NOT BE USED WITHOUT WRITTEN PERMISSION		