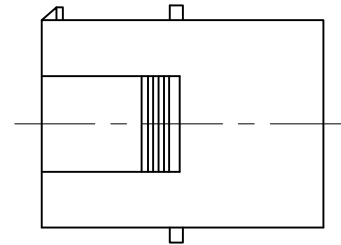
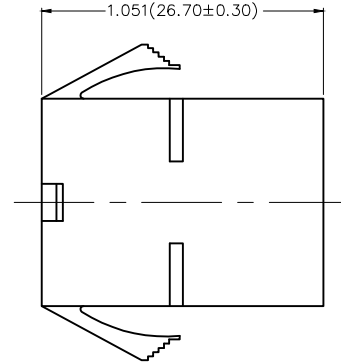
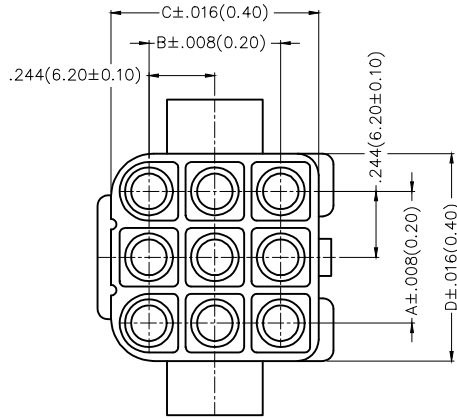


REV	LOCATIONS	DESCRIPTION	DATE	REVISER	APPD



Notes

- Electrical
 Current Rating: 7A AC/DC
 Voltage Rating: 250V AC/DC
 Contact Resistance: 10mΩ Max
 Insulation Resistance: 1000MΩ Min
 Withstanding Voltage: 1500V AC/minute
 Temperature Range-Operating: -25°C~+85°C
- Material
 Nylon UL94V-2, Transparent
- Applicable Terminal: FT62003-M
- Mates With: FHG62006 Series



Circuits (n)	Part No.	Dimensions(in/mm)			
		A	B	C	D
2	FHG62004-S02F2TB	.244(6.20)	-	.283(7.20)	.528(13.40)
3	FHG62004-S03F2TB	.488(12.40)	-	.283(7.20)	.772(19.60)
4	FHG62004-D04F2TB	.244(6.20)	.244(6.20)	.528(13.40)	.528(13.40)
6	FHG62004-D06F2TB	.488(12.40)	.244(6.20)	.528(13.40)	.772(19.60)
9	FHG62004-T09F2TB	.488(12.40)	.488(12.40)	.772(19.60)	.772(19.60)
12	FHG62004-T12F2TB	.732(18.60)	.488(12.40)	.772(19.60)	1.016(25.80)
15	FHG62004-T15F2TB	.976(24.80)	.488(12.40)	.772(19.60)	1.260(32.00)

Ordering Information

FHG 620 04 - X XX F 2 T B
 1 2 3 4 5 6 7 8 9

1 Category FHG-Housing	2 Series Number 620-Pitch6.20mm	3 Distinction No. 04	4 Contact Alignment S-Single Row D-Double Row T-Triple Row
5 Circuits XX	6 Type F-Female	7 Material-Resin 2-PA66	8 Color-Resin T-Transparent
			9 Packaging B-PE Bag



THIRD ANGLE PROJECTION	GENERAL TOLERANCES (UNLESS SPECIFIED)		APPROVE BY FRANK	DATE 18/JUN/13	PART NO. FHG62004-XXXF2TB	ITEM NO. FHG62004	
	DESIGN UNITS Inch (metric)	X.±.012(0.30) X.X±.008(0.20) X.XX±.006(0.15) X.XXX±.004(0.10)	X'±5' .X'±2' .XX±1" .XXX±0.5'	CHECKED BY CHERRY	DATE 18/JUN/13	TITLE HOUSING PITCH: .244"(6.20mm) SERIES	
SCALE 5:1	SIZE A4		DRAWN BY KATE	DATE 18/JUN/13	THIS DRAWING CONTAINS INFORMATION THAT IS PROPRIETARY TO DONG GUAN LANG LUN(3K-KAMING) ELECTRONIC PRODUCTS CO.,LTD. AND SHOULD NOT BE USED WITHOUT WRITTEN PERMISSION.		