

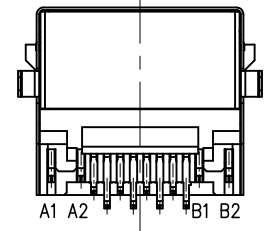
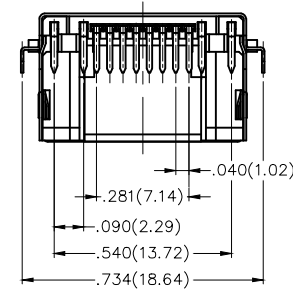
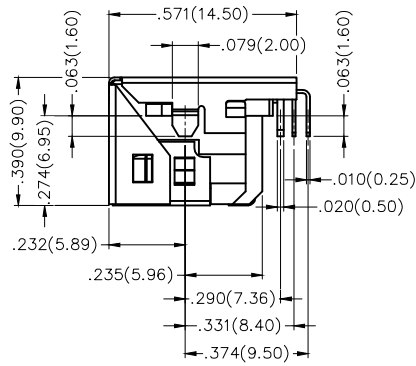
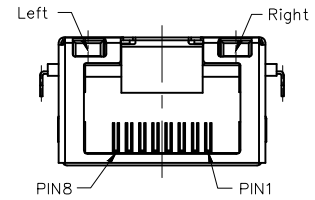
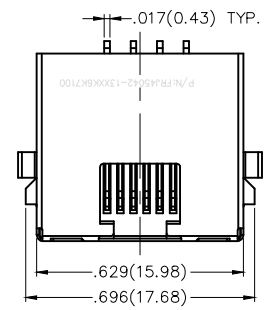
REV	LOCATIONS	DESCRIPTION	DATE	REVISER	APPD
1	△	Part No.: Change FRJ45112 into FRJ45042	31/MAY/18	KATE	ERIC



SPECIFICATIONS

Electrical
 Current Rating: 1.5A AC(rms)/DC
 Voltage Rating: 125V AC(rms)/DC
 Contact Resistance: 40 mΩ Max
 Insulation Resistance: 500 MΩ Min / DC 500V
 Withstanding Voltage: 1000V AC r.m.s
 Operating Temperature: -20°C~+75°C

Material and Plating
 Housing: LCP (UL 94V-0), Black
 Contact: Phosphor Bronze/Selective gold
 in contact area, tin on tail
 Shell: SUS301/Nickel Plated



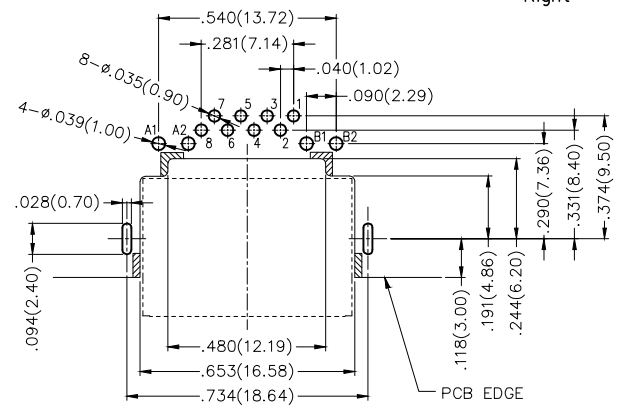
Left
 A1(+)- A2(-)
 B1(+)- B2(-)
 Right



Ordering Information

FRJ45 042 - 1 3 XX K6 K 7 1 0 0
 1 2 3 4 5 6 7 8 9

1 Category FRJ45-RJ45 Connector	2 Distinction No. 042	3 Ports options 1-1 Port	4 Plating 3-Selective gold in contact area, tin on tail	5 Thickness of plating 00-Gold flash 02-2μ" Custom plate available
6 Color-Resin K6-Black	7 Packaging K-Tray	8 LED style 7-L:Orange R:Green	9 Contact type 1-Square pin	



Recommended P.C.Board Layout

THIRD ANGLE PROJECTION	GENERAL TOLERANCES (UNLESS SPECIFIED)		APPROVE BY FRANK	DATE 18/JUN/13	PART NO. △ FRJ45042-13XXK6K7100	ITEM NO. FRJ45042		
	X.±.012(0.30)	X.±5'	CHECKED BY CHERRY	DATE 18/JUN/13	TITLE RJ45 Connectors 8P8C 90°Angle			
DESIGN UNITS Inch (metric)	X.X±.008(0.20)	X.±2'	DRAWN BY KATE	DATE 18/JUN/13			REV 1	SHEET NO. 1/1
SCALE 5:1	SIZE A4	X.XX±.006(0.15)			THIS DRAWING CONTAINS INFORMATION THAT IS PROPRIETARY TO DONG GUAN LANG LUN(3K-KAMING) ELECTRONIC PRODUCTS CO.,LTD. AND SHOULD NOT BE USED WITHOUT WRITTEN PERMISSION			
		X.XXX±.004(0.10)						