

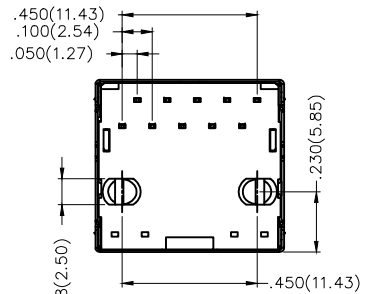
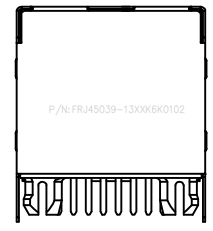
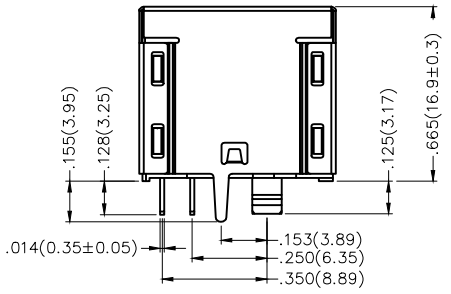
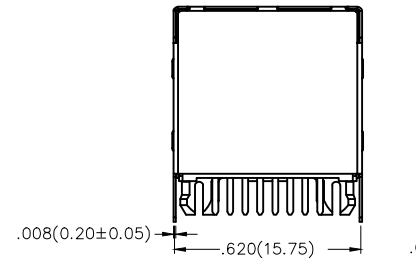
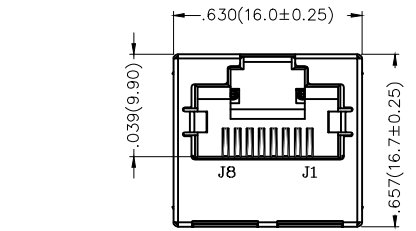
REV	LOCATIONS	DESCRIPTION	DATE	REVISER	APPD
1	△	Part No.: Change FRJ45117 into FRJ45039	25/MAY/18	KATE	ERIC



SPECIFICATIONS

Electrical
 Current Rating: 1.5A AC(rms)/DC
 Voltage Rating: 150V AC(rms)/DC
 Contact Resistance: 30 mΩ Max
 Insulation Resistance: 500 MΩ Min / DC 500V
 Withstanding Voltage: 1000V AC r.m.s
 Operating Temperature: -40°C~+80°C

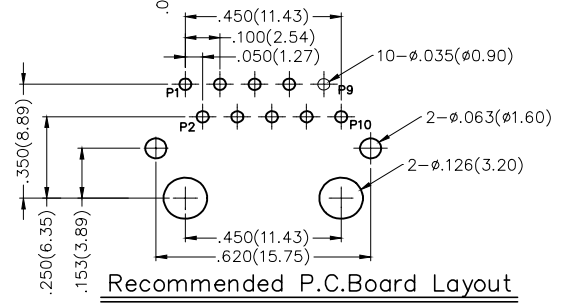
Material and Plating
 Housing: PA46, 94V-0 ,Black
 Contact: Phosphor Bronze/Selective gold in contact area, tin on tail
 Shell: Stainless Steel/Nickel Plated



Ordering Information

FRJ45 039 - 1 3 XX K6 K 0 1 0 2
 1 2 3 4 5 6 7 8 9

1 Category FRJ45-RJ45 Connector	2 Distinction No. 039	3 Ports options 1-1 Port	4 Plating 3-Selective gold in contact area, tin on tail	5 Thickness of plating 00-Gold flash 03-3μ" Custom plate available
6 Color-Resin K6-Black	7 Packaging K-Tray	8 Contact type 1-Square pin	9 Pin circuits 2-1000Base-T	



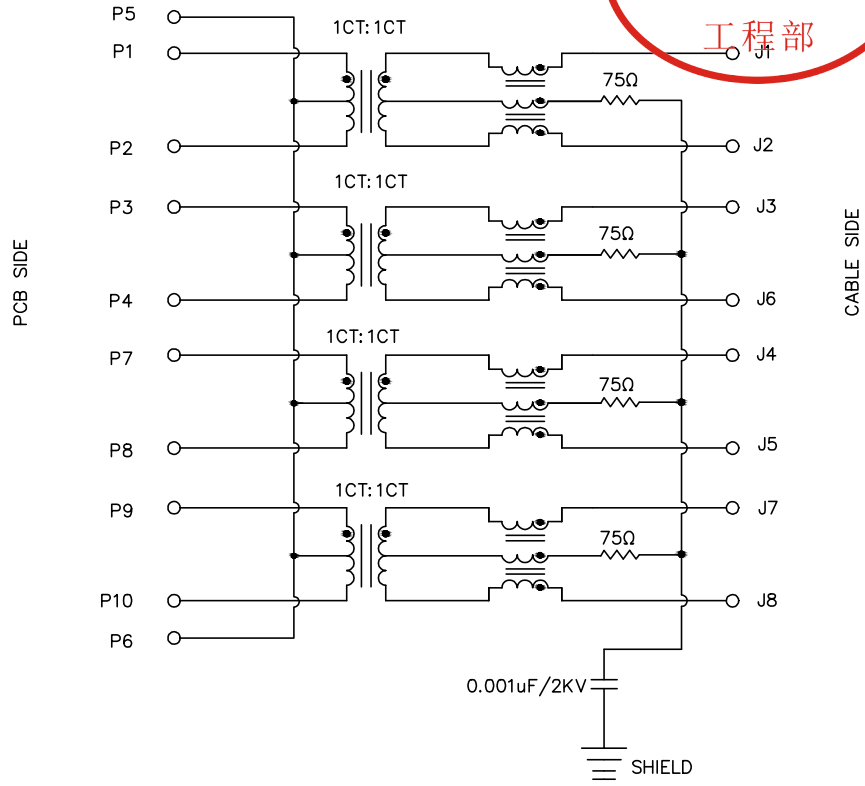
Recommended P.C.Board Layout
 Tolerances: ±.002(0.05)

THIRD ANGLE PROJECTION	GENERAL TOLERANCES (UNLESS SPECIFIED)		APPROVE BY FRANK	DATE 18/JUN/13	PART NO. △ FRJ45039-13XXK6K0102	ITEM NO. FRJ45039	
	DESIGN UNITS Inch (metric)	X.±.012(0.30) .X'±5'	CHECKED BY KEVIN	DATE 18/JUN/13	TITLE RJ45 Connectors 10P8C 180°Vertical(1000Base-T)		
SCALE 5:1	SIZE A4	X.XX±.006(0.15) .XX'±1"	DRAWN BY CHERRY	DATE 18/JUN/13	THIS DRAWING CONTAINS INFORMATION THAT IS PROPRIETARY TO DONG GUAN LANG LUN(3K-KAMING) ELECTRONIC PRODUCTS CO.,LTD. AND SHOULD NOT BE USED WITHOUT WRITTEN PERMISSION		

REV	LOCATIONS	DESCRIPTION	DATE	REVISOR	APPD



Electrical Specifications@25°C								
Turns Ratio(±5%)		OCL(uH Min) @100KHz/0.1V		Insertion Loss (dB Max)		HI-Pot (Vrms)		
TX	RX	With 8mA DC Bias		0.3-100MHz				
1CT:1CT	1CT:1CT	350		-1.0		1500		
Retrun Loss (dB Min)			Cross talk (dB Min)			CMR (dB Min)		
1-30MHz	30-60MHz	60-80MHz	0.3-30MHz	30-60MHz	60-100MHz	1-30MHz	30-60MHz	60-125MHz
-16	-13	-10	-40	-35	-30	-30	-25	-20



 THIRD ANGLE PROJECTION	GENERAL TOLERANCES (UNLESS SPECIFIED)		APPROVE BY FRANK	DATE 18/JUN/13	PART NO. FRJ45039-13XXK6K0102	ITEM NO. FRJ45039	 3K-KAMING®
	DESIGN UNITS Inch (metric)	X.±0.12(0.30) X'±5'	CHECKED BY KEVIN	DATE 18/JUN/13	TITLE RJ45 Connectors 8P8C 180°Vertical(1000Base-T)		
SCALE 5:1	SIZE A4	X.XX±.006(0.15) .XX±1"	DRAWN BY CHERRY	DATE 18/JUN/13	THIS DRAWING CONTAINS INFORMATION THAT IS PROPRIETARY TO DONG GUAN LANG LUN(3K-KAMING) ELECTRONIC PRODUCTS CO.,LTD. AND SHOULD NOT BE USED WITHOUT WRITTEN PERMISSION		