

REV	LOCATIONS	DESCRIPTION	DATE	REVISER	APPD
1	△	Part No.: Change FRJ45120 into FRJ45035	31/MAY/18	KATE	ERIC



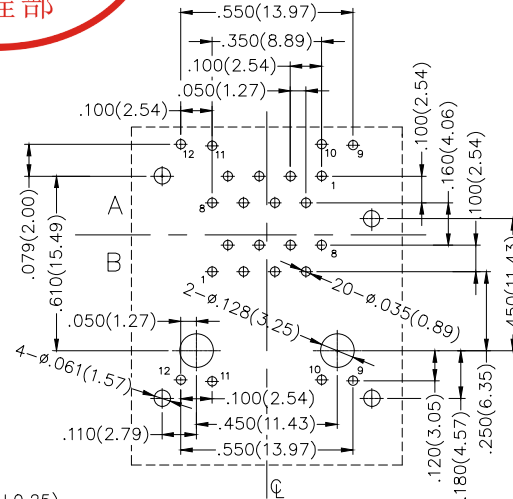
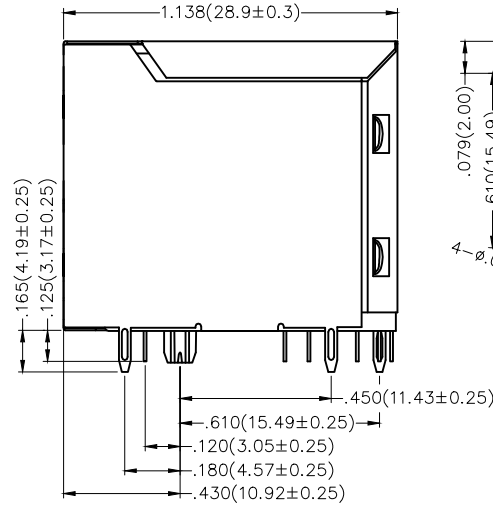
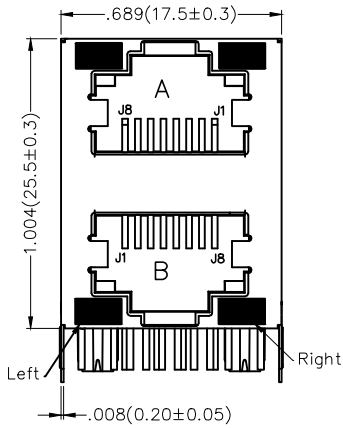
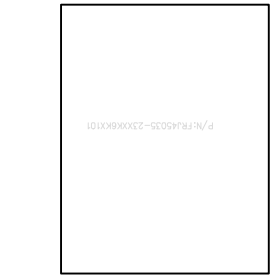
**SPECIFICATIONS**

**Electrical**

Current Rating: 1.5A AC(rms)/DC  
 Voltage Rating: 150V AC(rms)/DC  
 Contact Resistance: 30 mΩ Max  
 Insulation Resistance: 500 MΩ Min  
 Withstanding Voltage: 1000V AC r.m.s  
 Temperature Range—Operating: -40°C~+85°C

**Material and Plating**

Housing: PBT, 94V-0 ,Black  
 Contact: Phosphor Bronze/Gold plated/Selective gold in contact area, tin on tail  
 Shell: Brass/Nickel Plated



Recommended P.C.Board Layout

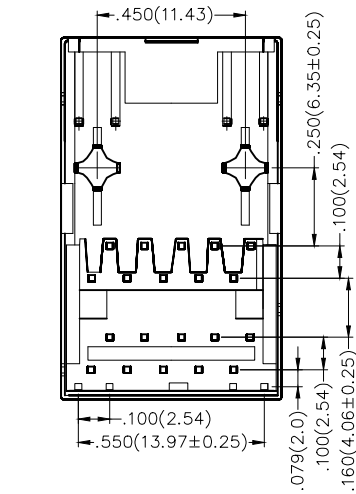
Tolerances: ±.002(±0.05)

**Ordering Information**

FRJ45 035 — 2 3 XX K6 K X 1 0 1  
 1 2 3 4 5 6 7 8 9 10



1 Category FRJ45-RJ45 Connector	2 Distinction No. 035	3 Ports options 2-2 Ports	4 Plating 3-Selective gold in contact area, tin on tail	5 Thickness of plating 00-Gold flash 03-3μ" Custom plate available
6 Color-Resin K6-Black	7 Packaging K-Tray	8 LED style 1-L: Yellow R: Green 2-L: Green R: Yellow	9 Contact type 1-Square pin	10 Pin circuits 1-100Base-T

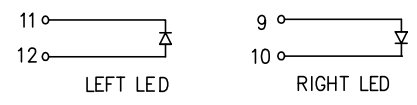
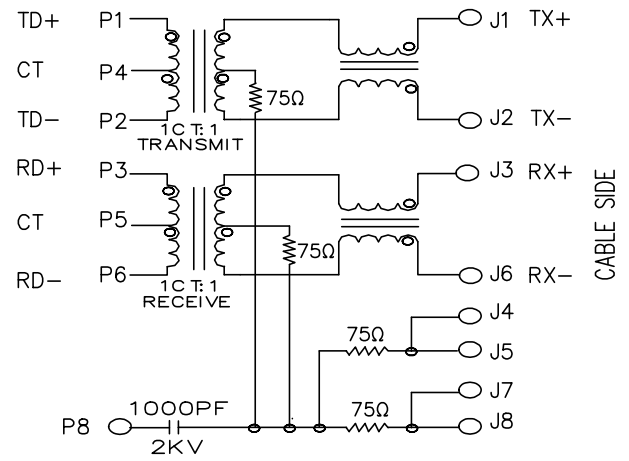


THIRD ANGLE PROJECTION	GENERAL TOLERANCES (UNLESS SPECIFIED)		APPROVE BY FRANK	DATE 18/JUN/13	PART NO. △ FRJ45035-23XXK6KX101	ITEM NO. FRJ45035	
	DESIGN UNITS Inch (metric)	X.±.012(0.30) X.X±.008(0.20) X.XX±.006(0.15) X.XXX±.004(0.10)	X.±5° .X±2° .XX±1° .XXX±0.5°	CHECKED BY KEVIN	DATE 18/JUN/13	TITLE RJ45 Connectors 10P8C 90°Angle(100Base-T)	
SCALE 5:1	SIZE A4	DRAWN BY CHERRY		DATE 18/JUN/13	THIS DRAWING CONTAINS INFORMATION THAT IS PROPRIETARY TO DONG GUAN LANG LUN(3K-KAMING) ELECTRONIC PRODUCTS CO., LTD. AND SHOULD NOT BE USED WITHOUT WRITTEN PERMISSION		

REV	LOCATIONS	DESCRIPTION	DATE	REVISER	APPD



Parameter	Specifications
Turns Ratio	1:1±3%
Inductance(OCL)	350uH Min@100KHz/100mV With 8mA DC Bias
Insertion Loss	-1.0dB MAX@1MHz-100MHz;
Return Loss	-16dB Min@1MHz-30MHz; -14dB Min@30MHz-60MHz -10dB Min@60MHz-80MHz
Cross Talk	-40dB Min@1MHz-30MHz; -35dB Min@30MHz-60MHz -30dB Min@60MHz-80MHz
Common Mode Rejection Ratio	-35dB Min@1MHz-100MHz
HI-POT	1500VAC 6S 1mA



 THIRD ANGLE PROJECTION	GENERAL TOLERANCES (UNLESS SPECIFIED)		APPROVE BY FRANK	DATE 18/JUN/13	PART NO. FRJ45035-23XXK6KX101	ITEM NO. FRJ45035	 3K-KAMING	
	DESIGN UNITS Inch (metric)	X.±0.12(0.30) X.X±0.08(0.20) X.XX±0.06(0.15) X.XXX±0.04(0.10)	X.±5° .X'±2° .XX'±1° .XXX'±0.5'	CHECKED BY KEVIN	DATE 18/JUN/13	TITLE RJ45 Connectors 10P8C 90°Angle(100Base-T)		
SCALE 5:1	SIZE A4		DRAWN BY CHERRY	DATE 18/JUN/13	THIS DRAWING CONTAINS INFORMATION THAT IS PROPRIETARY TO DONG GUAN LANG LUN(3K-KAMING) ELECTRONIC PRODUCTS CO.,LTD. AND SHOULD NOT BE USED WITHOUT WRITTEN PERMISSION		REV 1	SHEET NO. 2/2