

REV	LOCATIONS	DESCRIPTION	DATE	REVISER	APPD
1	△	1. Add the "TXGA" logo 2. Part No.: Change FRJ45142 into FRJ45018	31/MAY/18	KATE	ERIC



SPECIFICATIONS

Electrical

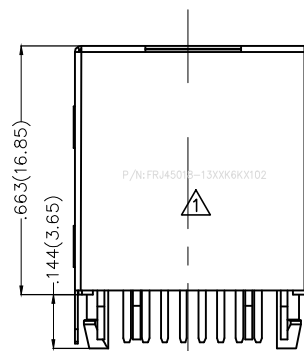
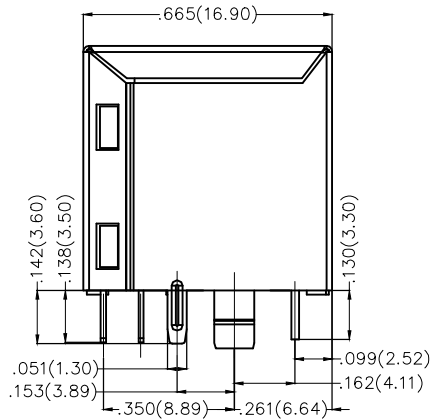
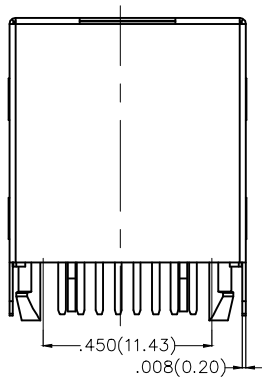
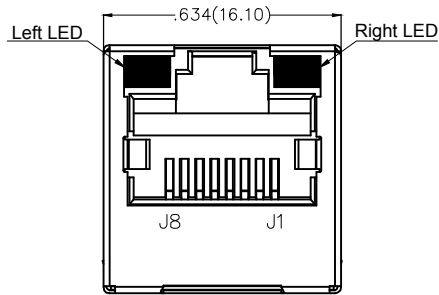
Current Rating: 1.0A AC(rms)/DC
Voltage Rating: 125V AC(rms)/DC
Contact Resistance: 50 mΩ Max
Insulation Resistance: 500 MΩ Min / DC 500V
Withstanding Voltage: 1500V AC r.m.s
Operating Temperature: -40°C~+85°C

Material and Plating

Housing: PBT (UL 94V-0) Black
Contact: Phosphor Bronze/Selective gold in contact area, tin on tail
Shell: Brass/Nickel Plated

SpecificationLED

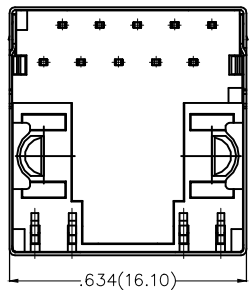
Standard LED Color	LED Wavelength	Foward(V MAX)	Typical(V TYP)	Luminous Intensity
Green	560-580nm	2.5v	2.1-2.2v	9-25 MCD
Yellow	580-610nm	2.5v	2.1-2.2v	9-30 MCD



Ordering Information

FRJ45 018 - 1 3 XX K6 K X 1 0 2
1 2 3 4 5 6 7 8 9 10

1 Category FRJ45-RJ45 Connector	2 Distinction No. 018	3 Ports options 1-1 Port	4 Plating 3-Selective gold in contact area, tin on tail	5 Thickness of plating 00-Gold flash 03-3μ" Custom plate available
6 Color-Resin K6-Black	7 Packaging K-Tray	8 LED style 1-L: Yellow R: Green 2-L: Green R: Yellow 3-L: Green R: Green+Orange 4-L: Orange R: Green+Orange	9 Contact type 1-Square pin	10 Pin circuits 2-1000Base-T

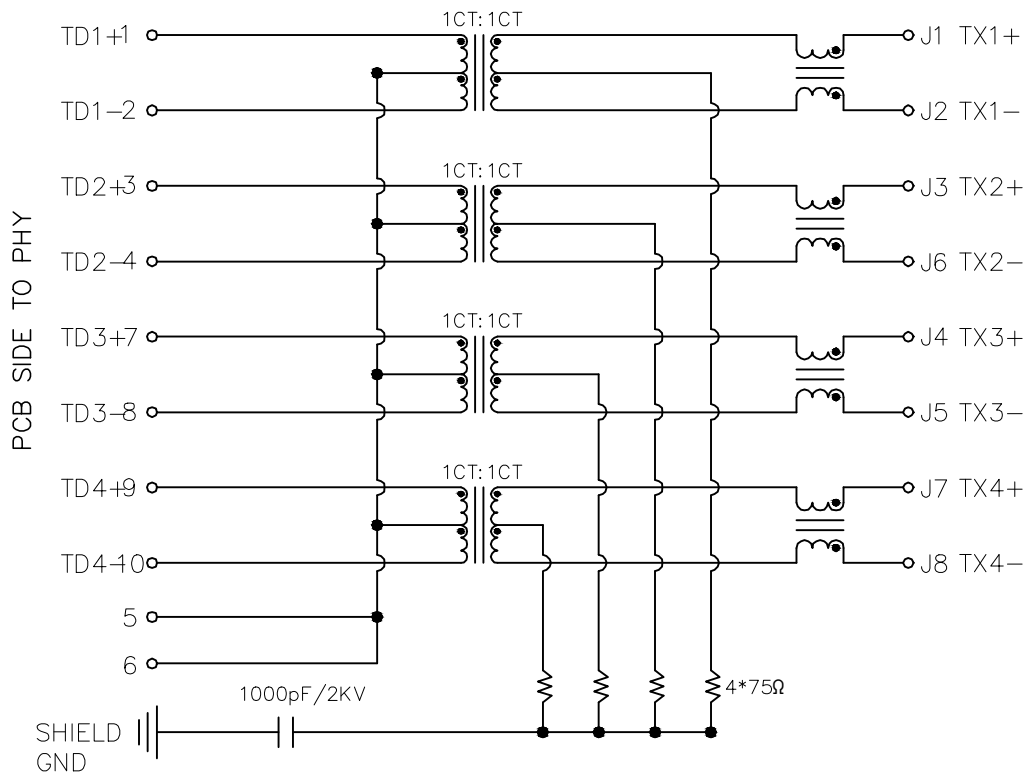


 THIRD ANGLE PROJECTION DESIGN UNITS Inch (metric) SCALE 5:1 SIZE A4	GENERAL TOLERANCES (UNLESS SPECIFIED) X.±.012(0.30) X.±5' X.X±.008(0.20) .X±2' X.XX±.006(0.15) .XX±1" X.XXX±.004(0.10) .XXX±0.5"		APPROVE BY FRANK CHECKED BY CHERRY DRAWN BY LXF	DATE 04/JUL/17 DATE 04/JUL/17 DATE 04/JUL/17	PART NO. △ FRJ45018-13XXK6KX102 TITLE RJ45 Connector 10P8C 180°Vertical(1000Base-T)	ITEM NO. FRJ45018 3K-KAMING	REV 1 SHEET NO. 1/2
	THIS DRAWING CONTAINS INFORMATION THAT IS PROPRIETARY TO DONG GUAN LANG LUN(3K-KAMING) ELECTRONIC PRODUCTS CO., LTD. AND SHOULD NOT BE USED WITHOUT WRITTEN PERMISSION						

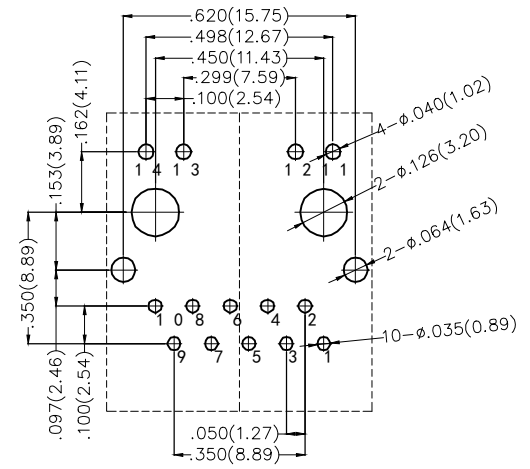
REV	LOCATIONS	DESCRIPTION	DATE	REVISER	APPD



SCHEMATIC



Electrical Specifications@25°C						
Turns Ratio(±2%)		OCL(uH Min) @100kHz/0.1V		Insertion Loss (dB Max)		HI-Pot (Vrms)
TX	RX	With 8mA DC Bias		1-100MHz		1500
1CT:1CT	1CT:1CT	350		-1.0		
Retrun Loss (dB Min)			Cross talk (dB Min)			CMR (dB Min)
1-30MHz	30-60MHz	60-80MHz	1-30MHz	30-60MHz	60-100MHz	1-100MHz
-16	-14	-10	-40	-35	-30	-35



Recommended P.C.Board Layout



 THIRD ANGLE PROJECTION DESIGN UNITS Inch (metric) SCALE 5:1 SIZE A4	GENERAL TOLERANCES (UNLESS SPECIFIED)		APPROVE BY FRANK	DATE 04/JUL/17	PART NO. FRJ45018-13XXK6KX102	ITEM NO. FRJ45018	 3K-KAMING REV 1 SHEET NO. 2/2
	X.±.012(0.30)	X.±5'	CHECKED BY CHERRY	DATE 04/JUL/17	TITLE RJ45 Connector 10P8C 180°Vertical(1000Base-T)		
	X.X±.008(0.20)	.X'±2'	DRAWN BY LXF	DATE 04/JUL/17	THIS DRAWING CONTAINS INFORMATION THAT IS PROPRIETARY TO DONG GUAN LANG LUN(3K-KAMING) ELECTRONIC PRODUCTS CO., LTD. AND SHOULD NOT BE USED WITHOUT WRITTEN PERMISSION		
	X.XX±.006(0.15)	.XX'±1'					
	X.XXX±.004(0.10)	.XXX±0.5'					

REV	LOCATIONS	DESCRIPTION	DATE	REVISER	APPD
1	△	1. Add the "TXGA" logo 2. Part No.: Change FRJ45142 into FRJ45018	31/MAY/18	KATE	ERIC

SPECIFICATIONS

Electrical

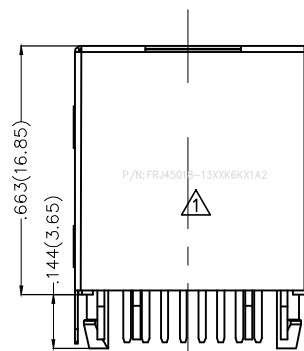
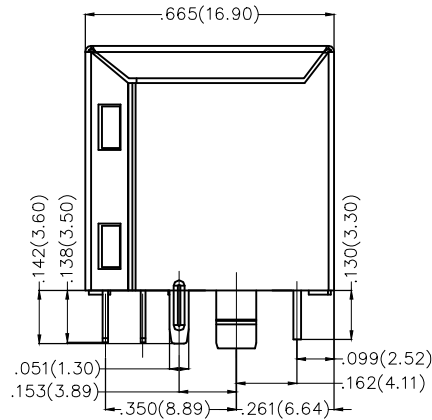
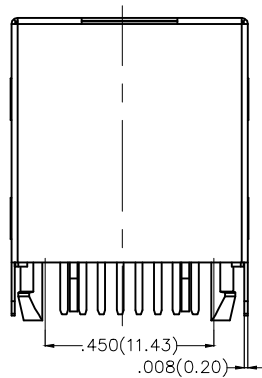
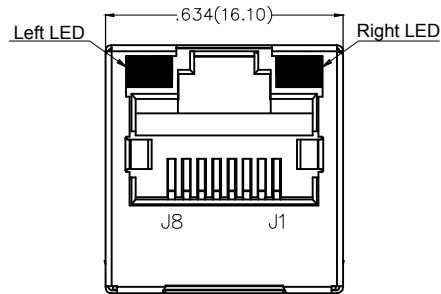
Current Rating: 1.0A AC(rms)/DC
Voltage Rating: 125V AC(rms)/DC
Contact Resistance: 50 mΩ Max
Insulation Resistance: 500 MΩ Min / DC 500V
Withstanding Voltage: 1500V AC r.m.s
Operating Temperature: -40°C~+85°C

Material and Plating

Housing: PBT (UL 94V-0) Black
Contact: Phosphor Bronze/Selective gold in contact area, tin on tail
Shell: Brass/Nickel Plated

SpecificationLED

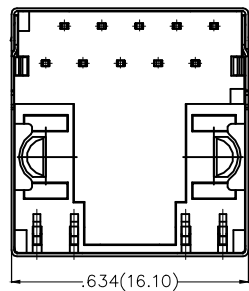
Standard LED Color	LED Wavelength	Foward(V MAX)	Typical(V TYP)	Luminous Intensity
Green	560-580nm	2.5v	2.1-2.2v	9-25 MCD
Yellow	580-610nm	2.5v	2.1-2.2v	9-30 MCD



Ordering Information

FRJ45 018 - 1 3 XX K6 K X 1 A 2
1 2 3 4 5 6 7 8 9 10 11

1 Category FRJ45-RJ45 Connector	2 Distinction No. 018	3 Ports options 1-1 Port	4 Plating 3-Selective gold in contact area, tin on tail	5 Thickness of plating 00-Gold flash 03-3μ" Custom plate available
6 Color-Resin K6-Black	7 Packaging K-Tray	8 LED style 1-L: Yellow R:Green 2-L: Green R: Yellow	9 Contact type 1-Square pin	10 Distinction type A-A type
11 Pin circuits 2-1000Base-T				

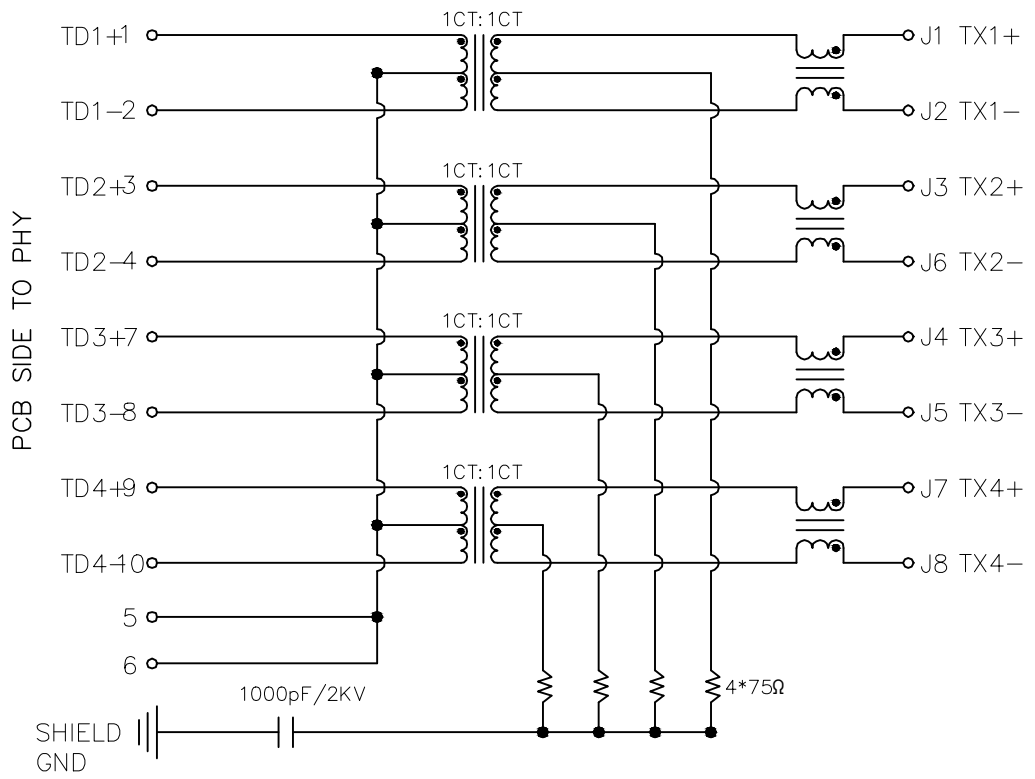


THIRD ANGLE PROJECTION	GENERAL TOLERANCES (UNLESS SPECIFIED)		APPROVE BY FRANK	DATE 04/JUL/17	PART NO. △ FRJ45018-13XXK6K1A2	ITEM NO. FRJ45018	
	X.±.012(0.30)	X.±5'	CHECKED BY CHERRY	DATE 04/JUL/17	TITLE RJ45 Connector 10P8C 180°Vertical(1000Base-T)		
	X.X±.008(0.20)	.X'±2'	DRAWN BY LXF	DATE 04/JUL/17	REV 1	SHEET NO. 1/2	
	X.XX±.006(0.15)	.XX'±1'	THIS DRAWING CONTAINS INFORMATION THAT IS PROPRIETARY TO DONG GUAN LANG LUN(3K-KAMING) ELECTRONIC PRODUCTS CO.,LTD. AND SHOULD NOT BE USED WITHOUT WRITTEN PERMISSION				
SCALE 5:1	SIZE A4	X.XXX±.004(0.10)	.XXX'±0.5'				

REV	LOCATIONS	DESCRIPTION	DATE	REVISER	APPD

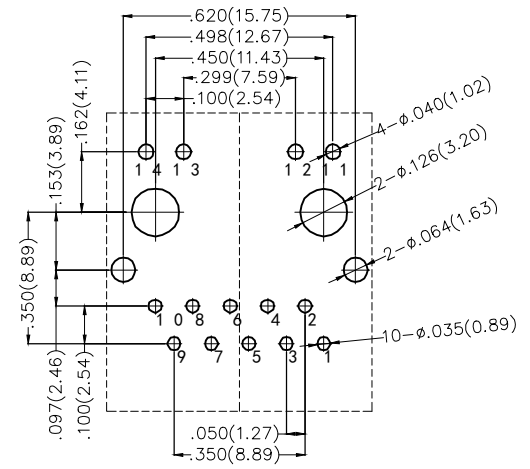


SCHEMATIC



Electrical Specifications@25°C						
Turns Ratio(±2%)		OCL(uH Min) @100kHz/0.1V		Insertion Loss (dB Max)		HI-Pot (Vrms)
TX	RX	With 8mA DC Bias		1-100MHz		1500
1CT:1CT	1CT:1CT	350		-1.0		
Retrun Loss (dB Min)			Cross talk (dB Min)			CMR (dB Min)
1-30MHz	30-60MHz	60-80MHz	1-30MHz	30-60MHz	60-100MHz	1-100MHz
-16	-14	-10	-40	-35	-30	-35

CABLE SIDE



Recommended P.C.Board Layout



 THIRD ANGLE PROJECTION DESIGN UNITS Inch (metric) SCALE 5:1 SIZE A4	GENERAL TOLERANCES (UNLESS SPECIFIED)		APPROVE BY FRANK	DATE 04/JUL/17	PART NO. FRJ45018-13XXK6KX1A2	ITEM NO. FRJ45018	 3K-KAMING REV 1 SHEET NO. 2/2
	X.±.012(0.30)	X.±5'	CHECKED BY CHERRY	DATE 04/JUL/17	TITLE RJ45 Connector 10P8C 180°Vertical(1000Base-T)		
	X.X±.008(0.20)	.X'±2'	DRAWN BY LXJ	DATE 04/JUL/17	THIS DRAWING CONTAINS INFORMATION THAT IS PROPRIETARY TO DONG GUAN LANG LUN(3K-KAMING) ELECTRONIC PRODUCTS CO., LTD. AND SHOULD NOT BE USED WITHOUT WRITTEN PERMISSION		
	X.XX±.006(0.15)	.XX'±1'					
	X.XXX±.004(0.10)	.XXX±0.5'					