

REV	LOCATIONS	DESCRIPTION	DATE	REVISER	APPD
1	△	1. Add the "TXGA" logo 2. Part No.: Change FRJ4507 into FRJ45007	01/JUN/18	Vandy	Eric
2	△	Size change	14/MAY/20	KATE	CHERRY



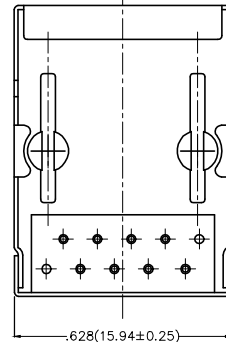
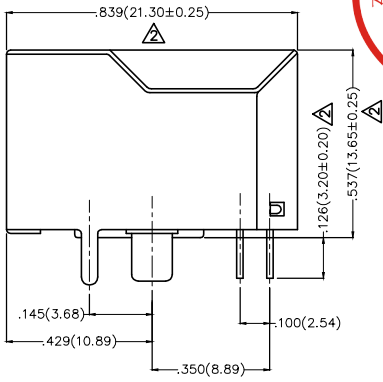
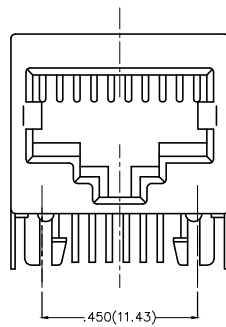
**SPECIFICATIONS**

**Electrical Performances**  
 Current Rating: 1.5A AC(rms)/DC  
 Voltage Rating: 125V AC(rms)/DC  
 Contact Resistance: 30 mΩ Max  
 Insulation Resistance: 500 MΩ MIN  
 Withstanding Voltage: 1000V AC r.m.s

**Material and Plating**  
 Housing: PBT (UL 94V-0)  
 Contact: Phosphor Bronze/ Gold Plated  
 Shell: Copper Alloy/ Nickel Plated

**Mechanical Performances**  
 Mating/Unmating Force: 30N Max  
 Retention Strength: 50N For 60s±5s  
 Durability: 750 Cycles Min.

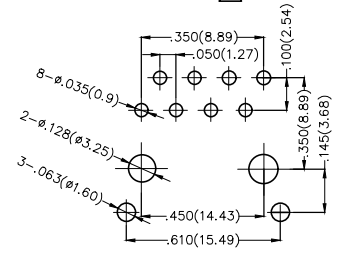
**Environmental Characteristics**  
 Temperature Range-Operating: -40°C~+85°C



**Ordering Information**

FRJ45 007 — 1 1 XX K6 K 0 2 B 0  
 1 2 3 4 5 6 7 8 9

1 Category FRJ45-RJ45 Connector	2 Distinction No. 007	3 Ports options 1-1 Port	4 Plating 1-Gold Plated
5 Thickness of plating 00-Gold flash 03-3μ" Custom plate available	6 Color-Resin K6-Black	7 Packaging K-Tray	8 Contact type 2-Round pin
			9 distinction type B-B type



Recommended P.C.Board Layout

 THIRD ANGLE PROJECTION  DESIGN UNITS Inch (metric)  SCALE 5:1  SIZE A4	GENERAL TOLERANCES (UNLESS SPECIFIED)		APPROVE BY FRANK	DATE 1/AUG/13	PART NO. △ FRJ45007-11XXK6K02B0	ITEM NO. FRJ45007	 3K-KAMING REV 2 SHEET NO. 1/1
	X.±.012(0.30)	X.±5'	CHECKED BY CHERRY	DATE 1/AUG/13	TITLE RJ45 Connector 8P8C 90° Angle		
	X.X±.008(0.20)	.X±2'	DRAWN BY JACOB	DATE 1/AUG/13	THIS DRAWING CONTAINS INFORMATION THAT IS PROPRIETARY TO DONG GUAN LANG LUN(3K-KAMING) ELECTRONIC PRODUCTS CO., LTD. AND SHOULD NOT BE USED WITHOUT WRITTEN PERMISSION		
	X.XX±.006(0.15)	.XX±1'					
	X.XXX±.004(0.10)	.XXX±0.5'					

REV	LOCATIONS	DESCRIPTION	DATE	REVSER	APPD
1	△	1. Add the "TXGA" logo 2. Part No.: Change FRJ4507 into FRJ45007	01/JUN/18	Vandy	Eric



### SPECIFICATIONS

#### Electrical Performances

Current Rating: 1.5A AC(rms)/DC  
Voltage Rating: 125V AC(rms)/DC  
Contact Resistance: 30 mΩ Max  
Insulation Resistance: 500 MΩ MIN  
Withstanding Voltage: 1000V AC r.m.s

#### Material and Plating

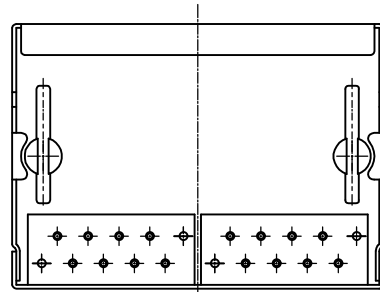
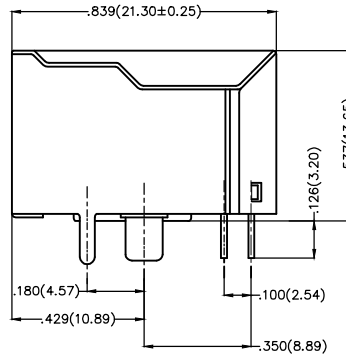
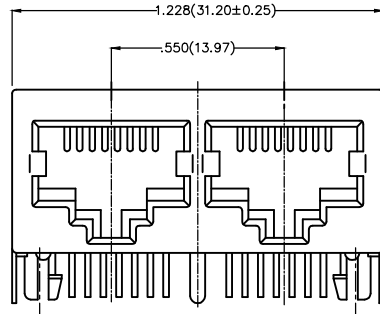
Housing: PBT (UL 94V-0)  
Contact: Phosphor Bronze/ Gold Plated  
Shell: Copper Alloy/ Nickel Plated

#### Mechanical Performances

Mating/Unmating Force: 30N Max  
Retention Strength: 50N For 60s±5s  
Durability: 750 Cycles Min.

#### Environmental Characteristics

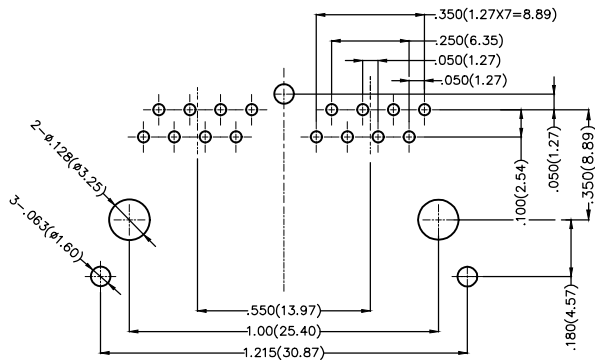
Temperature Range—Operating: -40°C~+85°C



### Ordering Information

FRJ45 007 — 2 1 XX K6 K 0 2 A 0  
1 2 3 4 5 6 7 8 9

1 Category FRJ45-RJ45 Connector	2 Distinction No. 007	3 Ports options 2-2 Port	4 Plating 1-Gold Plated
5 Thickness of plating 00-Gold flash 03-3μ" Custom plate available	6 Color-Resin K6-Black	7 Packaging K-Tray	8 Contact type 2-Round pin
			9 distinction type A-A type



Recommended P.C.Board Layout

THIRD ANGLE PROJECTION	GENERAL TOLERANCES (UNLESS SPECIFIED)		APPROVE BY FRANK	DATE 15/JUN/16	PART NO. △ FRJ45007-21XXK6K02A0	ITEM NO. FRJ45007	
	DESIGN UNITS Inch (metric)	X.±.012(0.30) X.X±.008(0.20) X.XX±.006(0.15) X.XXX±.004(0.10)	X.±5" .X±2" .XX±1" .XXX±0.5"	CHECKED BY JACOB	DATE 15/JUN/16	TITLE RJ45 Connector 8P8C 90° Angle	
SCALE 5:1	SIZE A4		DRAWN BY CHERRY	DATE 15/JUN/16	THIS DRAWING CONTAINS INFORMATION THAT IS PROPRIETARY TO DONG GUAN LANG LUN(3K-KAMING) ELECTRONIC PRODUCTS CO.,LTD. AND SHOULD NOT BE USED WITHOUT WRITTEN PERMISSION		