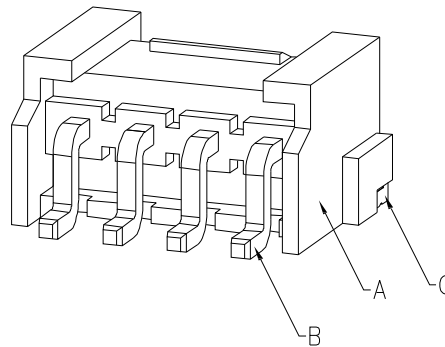
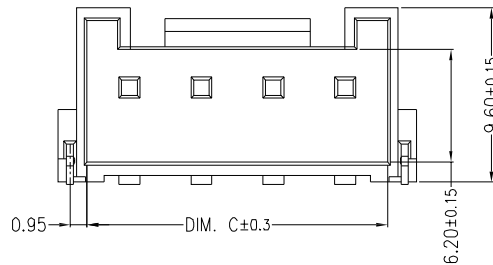


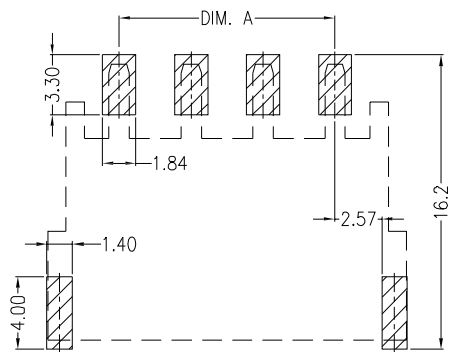
VH3.96-2PWB

VH3.96-3PWB



**主要技术参数 Main Specifications**

- 线数 (Poles): 02 to 16
- 接触电阻 (Contact resistance):  $\leq 20m\Omega$
- 绝缘电阻 (Insulation resistance):  $\geq 1000M\Omega$
- 额定电压 (Rated voltage): 250V AC DC
- 额定电流 (Rated current): 7.0A AC DC
- 耐电压 (Withstand Voltage): 1500V AC/minute
- 温度范围 (Temperature Range):  $-25^{\circ}C \sim +105^{\circ}C$



Mating PCB detail

Circuits	Dimensions (mm)		
	DIM. A	DIM. B	DIM. C
02	3.96	11.88	8.60
03	7.92	15.84	12.56
04	11.88	19.80	16.52
05	15.84	23.76	20.48
06	19.80	27.72	24.44
07	23.76	31.68	28.40
08	27.72	35.64	32.36
09	31.68	39.60	36.32
10	35.64	43.56	40.28

C	SOLDER TAB	2PCS	Brass	Sn-plated
B	CONTACT	02~10PCS	Brass	Sn-plated
A	PEDESTAL	1 PCS	PA9T	UL 94V-0, COLOR:BEIGE



UNITS	mm	<b>东莞市朗纶电子制品有限公司</b> Dongguan langlun electronic products Co., Ltd			
MAT'L					
FINISH		PART NO.(INTENDED USE)	TITLE:		
Q'TY	PCS	VH3.96-nPWB	VH3.96卧贴针座		
DR:	HU 2016.09.28	APPD:	DWG NO.:		
		CHKD:	VH3.96-nPWB		
		DR:	SCALE	SHEET	REV.
			1/1	1/1	A