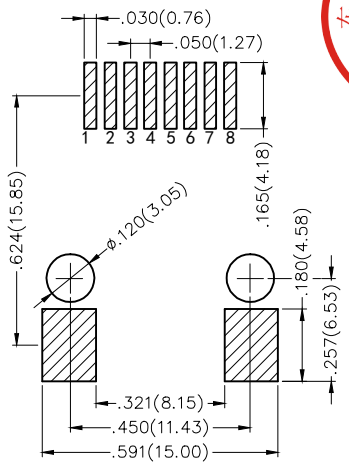
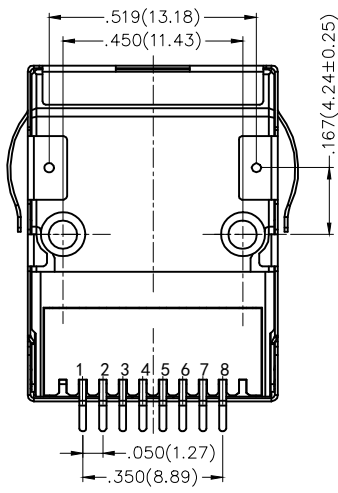
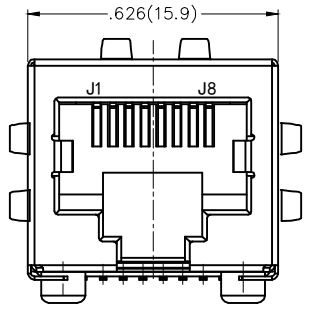
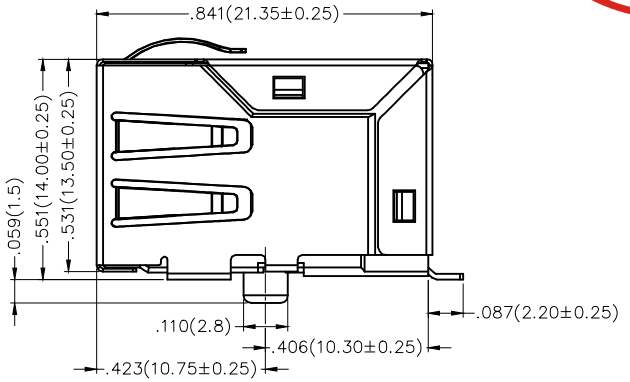
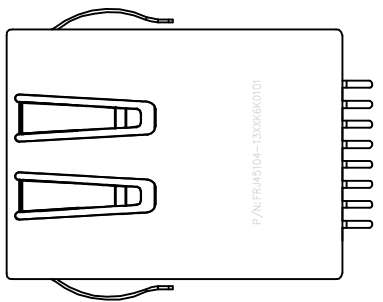


REV	LOCATIONS	DESCRIPTION	DATE	REVISER	APPD

**SPECIFICATIONS**

**Electrical**  
 Current Rating: 1.5A AC(rms)/DC  
 Voltage Rating: 125V AC(rms)/DC  
 Contact Resistance: 30 mΩ Max  
 Insulation Resistance: 500 MΩ Min / DC 500V  
 Withstanding Voltage: 500V AC r.m.s  
 Operating Temperature: -40°C~+85°C

**Material and plating**  
 Housing: PA46 (UL 94V-0), Black  
 Contact: Phosphor Bronze/ Selective gold in contact area, tin on tail  
 Shell: Brass/ Nickel plated



**Ordering Information**

FRJ45 104 — 1 3 XX K6 K 0 1 0 1  
 1 2 3 4 5 6 7 8 9

1 Category FRJ45-RJ45 Connector	2 Distinction No. 104	3 Ports options 1-1 Port	4 Plating 3-Selective gold in contact area, tin on tail
5 Thickness of plating 00-Gold flash 06-6μ" 30-30μ" Custom plate available	6 Color-Resin K6-Black	7 Packaging K-Tray	8 Contact type 1-Square pin
			9 Pin circuits 1-100Base-T

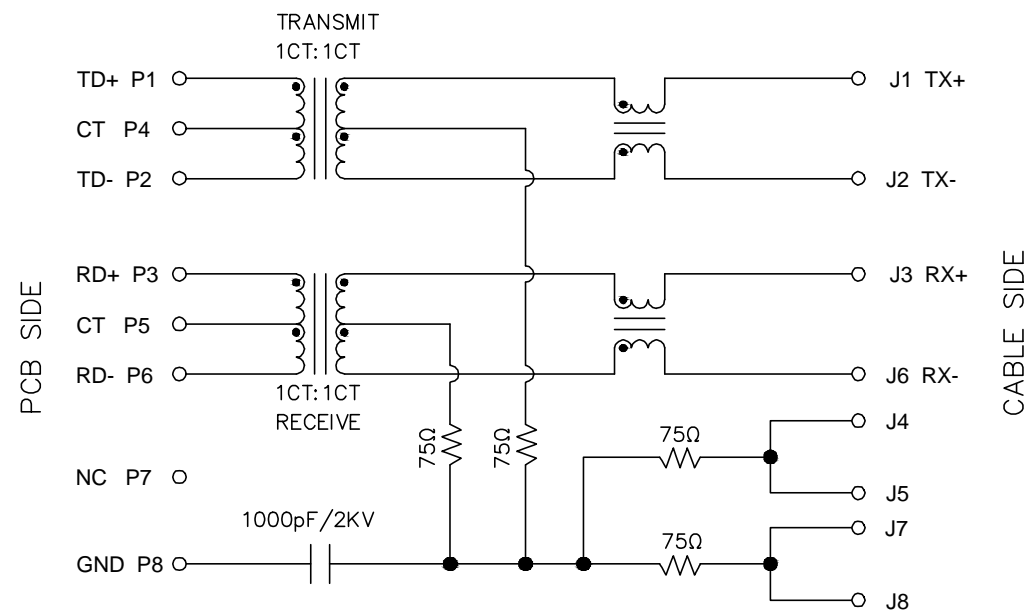
<p>THIRD ANGLE PROJECTION</p>	GENERAL TOLERANCES (UNLESS SPECIFIED)		APPROVE BY FRANK	DATE 16/OCT/18	PART NO. FRJ45104-13XXK6K0101	ITEM NO. FRJ45104	<p>3K-KAMING</p>
	X.±.012(0.30)	X.±5'	CHECKED BY CHERRY	DATE 16/OCT/18	TITLE RJ45 Connector 8P8C 90° Angle (100Base-T)		
	X.X±.008(0.20)	X.±2'	DRAWN BY KATE	DATE 16/OCT/18	REV 0	SHEET NO. 1/2	
DESIGN UNITS Inch (metric)	X.XX±.006(0.15)	X.X'±1'			THIS DRAWING CONTAINS INFORMATION THAT IS PROPRIETARY TO DONG GUAN LANG LUN(3K-KAMING) ELECTRONIC PRODUCTS CO., LTD. AND SHOULD NOT BE USED WITHOUT WRITTEN PERMISSION		
SCALE 5:1	SIZE A4	X.XXX±.004(0.10)	X.XX'±0.5'				

Recommended P.C.Board Layout

REV	LOCATIONS	DESCRIPTION	DATE	REVISER	APPD



SCHEMATIC



SPECIFICATIONS

- Turn ratio: 1~2: J1~J2=1CT:1CT (±2%)  
3~6: J3~J6=1CT:1CT (±2%)
- Inductance(OCL):  
350uH Min. @ 100KHz/100mV with 8mA DC bias
- Insertion Loss: -1.0dB Max. 1~100MHz.
- Return loss: -20dB Min. at 1~10MHz.  
-16dB Min. at 10~30MHz.  
-12dB Min. at 30~60MHz.  
-10dB Min. at 60~80MHz.
- Cross talk: -40dB Min. at 1~30MHz.  
-35dB Min. at 30~60MHz.  
-30dB Min. at 60~100MHz.
- CMR: -30dB Min. at 1~100MHz.
- Hi-pot: 1500V AC & 2250V DC  
6S 1mA PRI TO SEC



<p>THIRD ANGLE PROJECTION</p>	GENERAL TOLERANCES (UNLESS SPECIFIED)		APPROVE BY FRANK	DATE 16/OCT/18	PART NO. FRJ45104-13XXK6K0101	ITEM NO. FRJ45104	<p>3K-KAMING</p>
	DESIGN UNITS Inch (metric)	X.X±.012(0.30)	X.±5'	CHECKED BY CHERRY	DATE 16/OCT/18	TITLE RJ45 Connector 8P8C 90° Angle (100Base-T)	
SCALE 5:1	SIZE A4	X.XX±.008(0.20)	.X'±2'	DRAWN BY KATE	DATE 16/OCT/18	REV 0	SHEET NO. 2/2
		X.XX±.006(0.15)	.XX'±1'	THIS DRAWING CONTAINS INFORMATION THAT IS PROPRIETARY TO DONG GUAN LANG LUN(3K-KAMING) ELECTRONIC PRODUCTS CO., LTD. AND SHOULD NOT BE USED WITHOUT WRITTEN PERMISSION			
		X.XXX±.004(0.10)	.XXX'±0.5'				