

1 2 3 4 5 6 7 8

REV	LOCATIONS	DESCRIPTION	DATE	REVISER	APPD

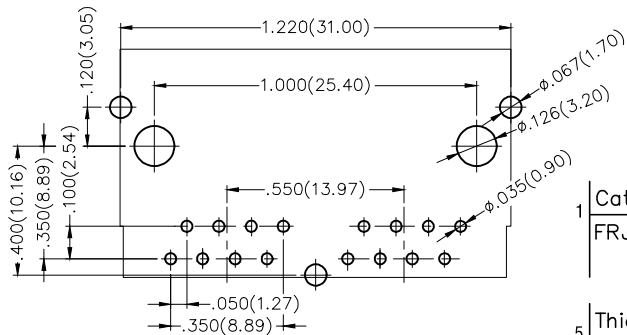
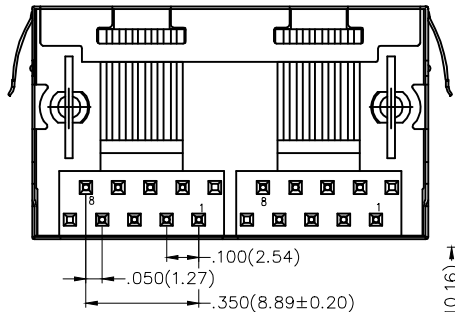
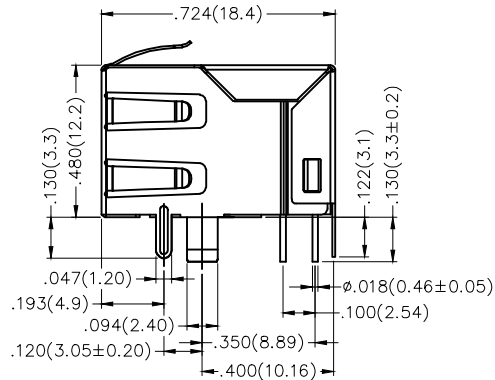
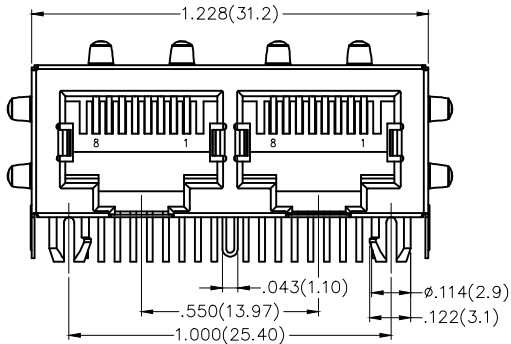
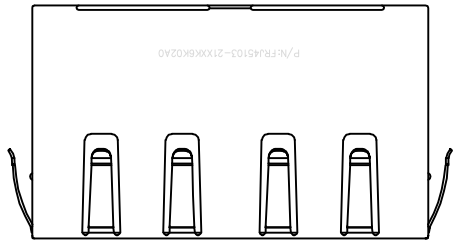


SPECIFICATIONS

Electrical
 Current Rating: 1.5A AC(rms)/DC
 Voltage Rating: 125V AC(rms)/DC
 Contact Resistance: 30 mΩ Max
 Insulation Resistance: 500 MΩ Min / DC 500V
 Withstanding Voltage: 1000V AC r.m.s
 Operating Temperature: -40°C~+85°C

Mechanical
 Durability: 750 cycles Min.

Material and plating
 Housing: PA46 (UL 94V-0), Black
 Contact: Phosphor Bronze/ Gold plated
 Shell: Brass/ Nickel plated



Recommended P.C.Board Layout

Ordering Information

FRJ45 103 - 2 1 XX K6 K 0 2 A 0
 1 2 3 4 5 6 7 8 9

1 Category FRJ45-RJ45 Connector	2 Distinction No. 103	3 Ports options 2-2 Ports	4 Plating 1-Gold Plated
5 Thickness of plating 00-Gold flash 03-3μ Custom plate available	6 Color-Resin K6-Black	7 Packaging K-Tray	8 Contact type 2-Round pin
		9 Distinction type A-A type	



THIRD ANGLE PROJECTION	GENERAL TOLERANCES (UNLESS SPECIFIED)		APPROVE BY FRANK	DATE 16/SEP/18	PART NO. FRJ45103-21XXK6K02A0	ITEM NO. FRJ45103	
	DESIGN UNITS Inch (metric)	X.±.012(0.30) X.X±.008(0.20) X.XX±.006(0.15) X.XXX±.004(0.10)	X.±5' X.±2' .XX±1' .XXX±0.5'	CHECKED BY CHERRY	DATE 16/SEP/18	TITLE RJ45 Connector 8P8C 90° Angle	
SCALE 5:1	SIZE A4		DRAWN BY KATE	DATE 16/SEP/18	THIS DRAWING CONTAINS INFORMATION THAT IS PROPRIETARY TO DONG GUAN LANG LUN(3K-KAMING) ELECTRONIC PRODUCTS CO.,LTD. AND SHOULD NOT BE USED WI THOUT WRITTEN PERMISSION		REV 0 SHEET NO. 1/1

1 2 3 4 5 6 7 8

1 2 3 4 5 6 7 8

REV	LOCATIONS	DESCRIPTION	DATE	REVISER	APPD

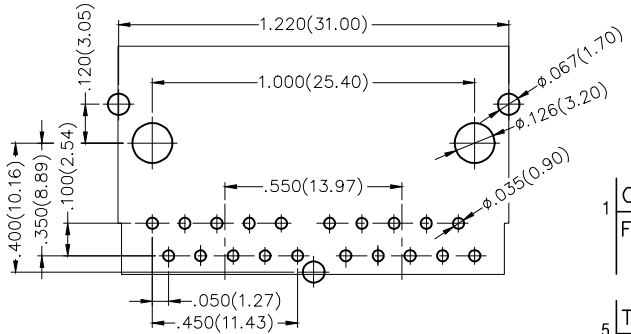
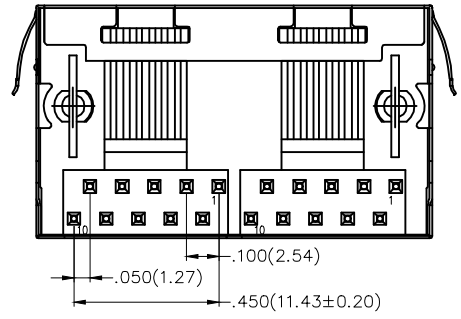
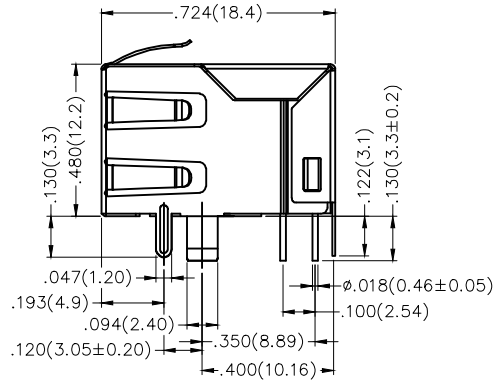
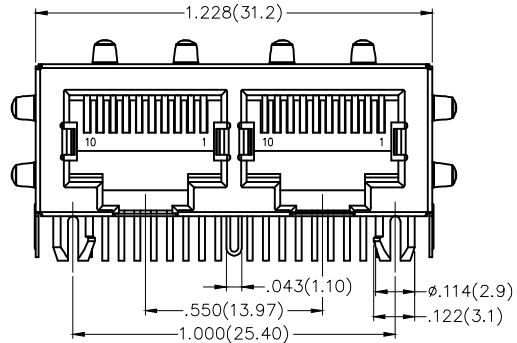
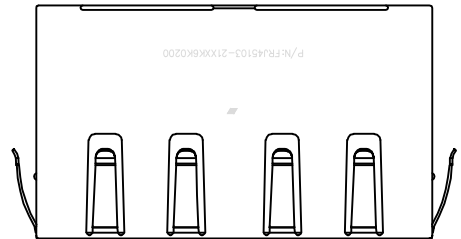


SPECIFICATIONS

Electrical
 Current Rating: 1.5A AC(rms)/DC
 Voltage Rating: 125V AC(rms)/DC
 Contact Resistance: 30 mΩ Max
 Insulation Resistance: 500 MΩ Min / DC 500V
 Withstanding Voltage: 1000V AC r.m.s
 Operating Temperature: -40°C~+85°C

Mechanical
 Durability: 750 cycles Min.

Material and plating
 Housing: PA46 (UL 94V-0), Black
 Contact: Phosphor Bronze/ Gold plated
 Shell: Brass/ Nickel plated



Recommended P.C.Board Layout

Ordering Information

FRJ45 103 - 2 1 XX K6 K 0 2 0 0
 1 2 3 4 5 6 7 8

1 Category FRJ45-RJ45 Connector	2 Distinction No. 103	3 Ports options 2-2 Ports	4 Plating 1-Gold Plated
5 Thickness of plating 00-Gold flash 03-3μ" Custom plate available	6 Color-Resin K6-Black	7 Packaging K-Tray	8 Contact type 2-Round pin



 THIRD ANGLE PROJECTION	GENERAL TOLERANCES (UNLESS SPECIFIED)		APPROVE BY FRANK	DATE 16/SEP/18	PART NO. FRJ45103-21XXK6K0200	ITEM NO. FRJ45103	 3K-KAMING®
	DESIGN UNITS Inch (metric)	X.±.012(0.30)	X.±5'	CHECKED BY CHERRY	DATE 16/SEP/18	TITLE RJ45 Connector 10P10C 90° Angle	
SCALE 5:1	SIZE A4	X.XX±.008(0.20)	X.±2'	DRAWN BY KATE	DATE 16/SEP/18	THIS DRAWING CONTAINS INFORMATION THAT IS PROPRIETARY TO DONG GUAN LANG LUN(3K-KAMING) ELECTRONIC PRODUCTS CO., LTD. AND SHOULD NOT BE USED WI THOUT WRITTEN PERMISSION	REV 0 SHEET NO. 1/1

1 2 3 4 5 6 7 8