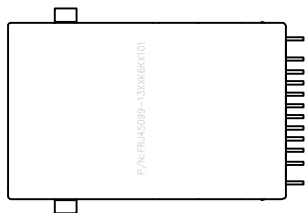


1 2 3 4 5 6 7 8

REV	LOCATIONS	DESCRIPTION	DATE	REVISER	APPD



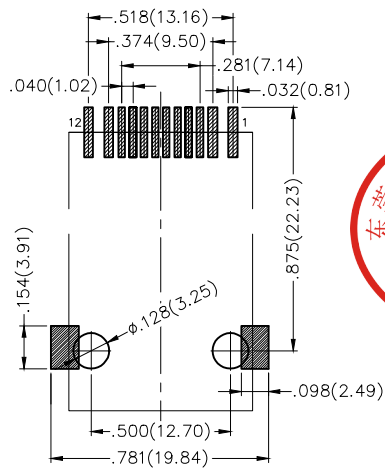
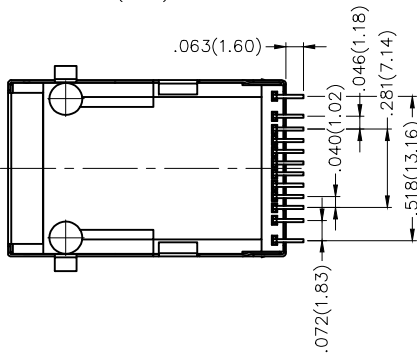
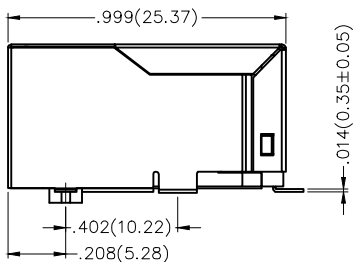
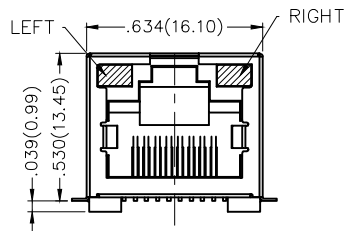
SPECIFICATIONS

Electrical

Current Rating: 1.5A AC(rms)/DC
 Voltage Rating: 125V AC(rms)/DC
 Contact Resistance: 30 mΩ Max
 Insulation Resistance: 500 MΩ Min / DC 500V
 Withstanding Voltage: 500V AC r.m.s
 Operating Temperature: -40°C~+85°C

Material and plating

Housing: LCP (UL 94V-0), Black
 Contact: Phosphor Bronze/ Selective gold in contact area, tin on tail
 Shell: Brass/ Nickel plated



Recommended P.C.Board Layout



Ordering Information

FRJ45 099 - 1 3 XX K6 K X 1 0 1
 1 2 3 4 5 6 7 8 9 10

1 Category FRJ45-RJ45 Connector	2 Distinction No. 099	3 Ports options 1-1 Port	4 Plating 3-Selective gold in contact area, tin on tail	5 Thickness of plating 00-Gold flash 06-6μ" Custom plate available
6 Color-Resin K6-Black	7 Packaging K-Tray	8 LED style 1-L: Yellow R: Green 2-L: Green R: Yellow	9 Contact type 1-Square pin	10 Pin circuits 1-100Base-T

 THIRD ANGLE PROJECTION	GENERAL TOLERANCES (UNLESS SPECIFIED)		APPROVE BY FRANK	DATE 16/OCT/18	PART NO. FRJ45099-13XXK6KX101	ITEM NO. FRJ45099	 3K-KAMING®	
	DESIGN UNITS Inch (metric)	X.±.012(0.30) X.X±.008(0.20) X.XX±.006(0.15) X.XXX±.004(0.10)	X.±5° .X'±2° .XX'±1° .XXX'±0.5°	CHECKED BY CHERRY	DATE 16/OCT/18	TITLE RJ45 Connector 8P8C 90° Angle (100Base-T)		REV 0
SCALE 5:1	SIZE A4		DRAWN BY KATE	DATE 16/OCT/18	THIS DRAWING CONTAINS INFORMATION THAT IS PROPRIETARY TO DONG GUAN LANG LUN(3K-KAMING) ELECTRONIC PRODUCTS CO., LTD. AND SHOULD NOT BE USED WI THOUT WRITTEN PERMISSION			

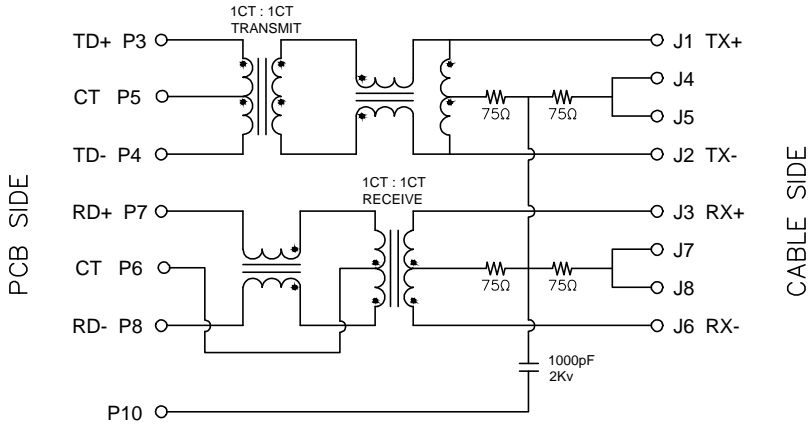
1 2 3 4 5 6 7 8

1 2 3 4 5 6 7 8

REV	LOCATIONS	DESCRIPTION	DATE	REVISER	APPD



SCHMATIC



ELECTRICAL

- Turn ratio (100KHz,0.1V):
(P3-P4):(J1-J2)=1:1(±3%)
(P7-P8):(J3-J6)=1:1(±3%)
- LX (100KHz,100mV,8mA,DC Bias):
(P1,P2),(P7,P8)=350uH Min.
- DCR: (J1-J2),(J3-J6)=1.2Ω Max.
- HIPOT:
(P3,P5,P4) to (J1,J2)=1500VAC for 60S.
(P7,P6,P8) to (J3,J6)=1500VAC for 60S.
- Insertion Loss: -1.0dB Max. at 0.3~100MHz.
- Return loss:
-20dB Min. at 1~30MHz.
-15dB Min. at 30~60MHz.
-10dB Min. at 60~80MHz.
- Cross talk:
-30dB Min. at 1~100MHz.
- Common to common mode rejection:
-30dB Min. at 1~100MHz.

PCB SIDE

CABLE SIDE



<p>THIRD ANGLE PROJECTION</p>	GENERAL TOLERANCES (UNLESS SPECIFIED)		APPROVE BY FRANK	DATE 16/OCT/18	PART NO. FRJ45099-13XXK6KX101	ITEM NO. FRJ45099	<p>3K-KAMING</p>
	DESIGN UNITS Inch (metric)	X.±.012(0.30) X.X±.008(0.20) X.XX±.006(0.15) X.XXX±.004(0.10)	X.±5' .X'±2' .XX'±1' .XXX'±0.5'	CHECKED BY CHERRY	DATE 16/OCT/18	TITLE RJ45 Connector 8P8C 90° Angle (100Base-T)	
SCALE 5:1	SIZE A4		DRAWN BY KATE	DATE 16/OCT/18	THIS DRAWING CONTAINS INFORMATION THAT IS PROPRIETARY TO DONG GUAN LANG LUN(3K-KAMING) ELECTRONIC PRODUCTS CO.,LTD. AND SHOULD NOT BE USED WITHOUT WRITTEN PERMISSION		REV 0 SHEET NO. 2/2

1 2 3 4 5 6 7 8