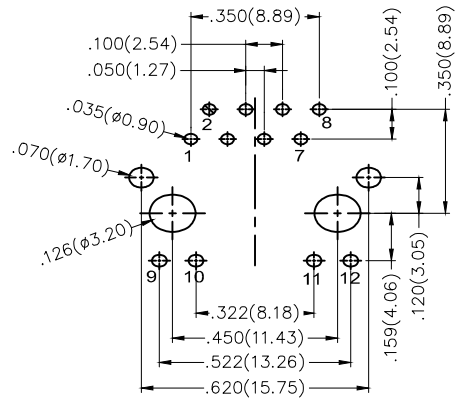
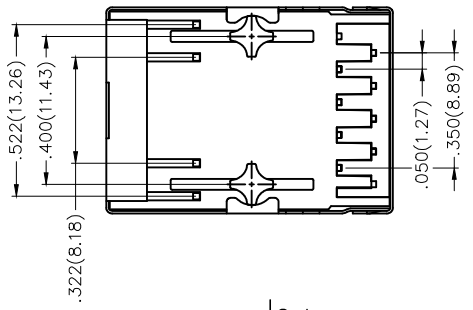
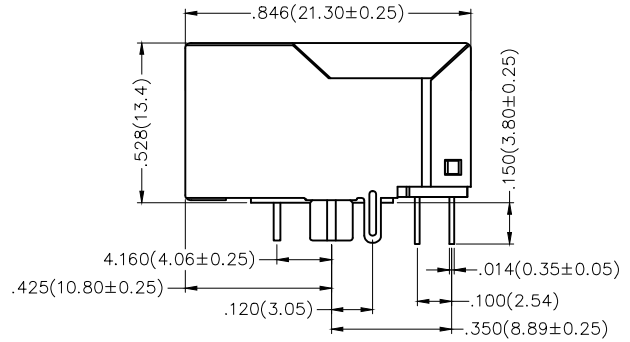
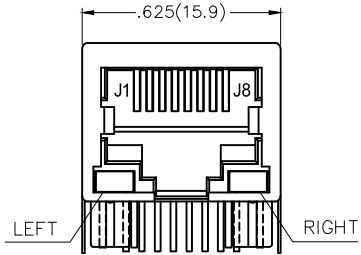


REV	LOCATIONS	DESCRIPTION	DATE	REVISER	APPD
1	△	Part No.: Change FRJ4599 into FRJ45094	24/MAY/19	KATE	FRANK

SPECIFICATIONS

Electrical  
 Current Rating: 1.5A AC(rms)/DC  
 Voltage Rating: 125V AC(rms)/DC  
 Contact Resistance: 40 mΩ Max  
 Insulation Resistance: 1000 MΩ Min / DC 500V  
 Withstanding Voltage: 1000V AC r.m.s  
 Operating Temperature: -20°C~+75°C

Material and Plating  
 Housing: Thermoplastic UL94V-0, Black  
 Contact: Phosphor Bronze/ Selective gold in contact area, tin on tail  
 Shell: Brass/ Nickel Plated



Recommended P.C.Board Layout

Ordering Information

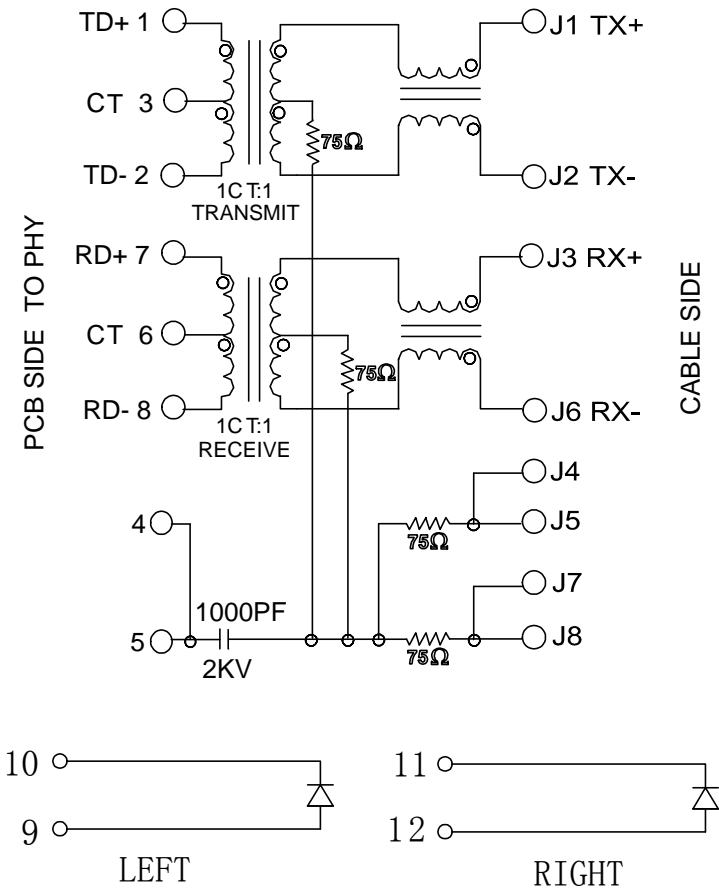
FRJ45 094 - 1 3 XX K6 K X 1 0 1  
 1 2 3 4 5 6 7 8 9 10

1 Category FRJ45-RJ45 Connector	2 Distinction No. 094	3 Ports options 1-1 Port	4 Plating 3-Selective gold in contact area, tin on tail	5 Thickness of plating 00-Gold flash 06-6μ" Custom plate available
6 Color-Resin K6-Black	7 Packaging K-Tray	8 LED style 1-L: Yellow R: Green 2-L: Green R: Yellow	9 Contact type 1-Square pin	10 Pin circuits 1-100Base-T

 THIRD ANGLE PROJECTION DESIGN UNITS Inch (metric) SCALE 5:1 SIZE A4	GENERAL TOLERANCES (UNLESS SPECIFIED)		APPROVE BY FRANK	DATE 18/JUNL/15	PART NO. △ FRJ45094-13XXK6KX101	ITEM NO. FRJ45094	 3K-KAMING REV 1 SHEET NO. 1/2
	X.±.012(0.30)	X.±5'	CHECKED BY CHERRY	DATE 18/JUNL/15	TITLE RJ45 Connector 8P8C 90° Angle (100Base-T)		
	X.X±.008(0.20)	X.±2'	DRAWN BY KEVIN	DATE 18/JUNL/15	THIS DRAWING CONTAINS INFORMATION THAT IS PROPRIETARY TO DONG GUAN LANG LUN(3K-KAMING) ELECTRONIC PRODUCTS CO., LTD. AND SHOULD NOT BE USED WITHOUT WRITTEN PERMISSION		

REV	LOCATIONS	DESCRIPTION	DATE	REVISER	APPD

SCHEMATIC:



- ELECTRICAL SPECIFICATIONS (25°C)
- OCL: P(1-2)=P(3-6)=350 uH Min. @100KHz, 100mV, With 8mA DC Bias.
  - L.L: P(1-2)=P(3-6)=0.6uH Max. @100KHz, 100mV
  - Cw/w: 35PF Max. @100KHz, 100mV
  - Turn Ratio: P(1-2): J(1-2)=1CT: 1CT±3%  
P(3-6): J(3-6)=1CT: 1CT±3%
  - DCR: 1.0Ω Max.  
J(1-3): J(2-6)=J(4-7)=J(8-6)=150Ω
  - Polarity: P1&J1; P3&J3 In-Phase.
  - Insertion Loss: -1.0dB Max @1~100MHz  
-16dB Min @40MHz  
-12dB Min @50MHz  
-10dB Min @60~800MHz
  - Return Loss: -18dB Min @1~30MHz  
-16dB Min @40MHz  
-12dB Min @50MHz  
-10dB Min @60~800MHz
  - Cross Talk: -30dB Min @1~100MHz
  - CMR: -30dB Min @1~100MHz
  - Isolation HI-POT:  
P(1-2-3-4-5-6) To J(1-2-3-6-4-5-7-8)  
@1500V rms/ 1mA Max/ 2Sec.



 THIRD ANGLE PROJECTION	GENERAL TOLERANCES (UNLESS SPECIFIED)		APPROVE BY FRANK	DATE 18/JUNL/15	PART NO. FRJ45094-13XXK6KX101	ITEM NO. FRJ45094	 3K-KAMING®
	DESIGN UNITS Inch (metric)	X.±.012(0.30) X.X±.008(0.20) X.XX±.006(0.15) X.XXX±.004(0.10)	X.'±5' .X'±2' .XX'±1' .XXX'±0.5'	CHECKED BY CHERRY	DATE 18/JUNL/15	TITLE RJ45 Connector 8P8C 90° Angle (100Base-T)	
SCALE 5: 1	SIZE A4		DRAWN BY KEVIN	DATE 18/JUNL/15	THIS DRAWING CONTAINS INFORMATION THAT IS PROPRIETARY TO DONG GUAN LANG LUN(3K-KAMING) ELECTRONIC PRODUCTS CO.,LTD. AND SHOULD NOT BE USED WITHOUT WRITTEN PERMISSION		REV 1 SHEET NO. 2/2