

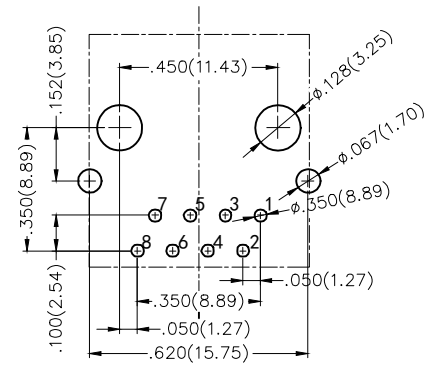
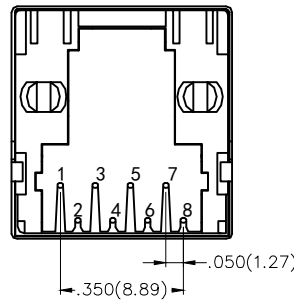
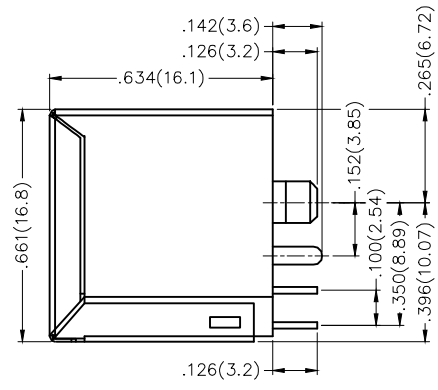
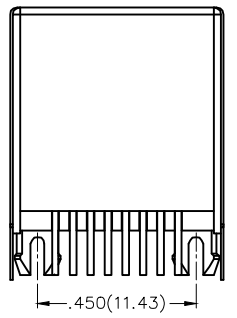
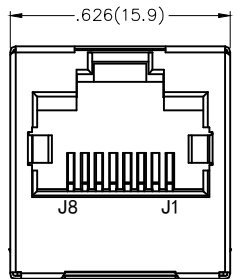
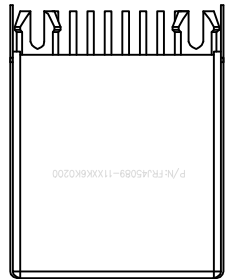
REV	LOCATIONS	DESCRIPTION	DATE	REVISER	APPD



SPECIFICATIONS

Electrical Performances
 Current Rating: 1.5A AC(rms)/DC
 Voltage Rating: 125V AC(rms)/DC
 Contact Resistance: 30 mΩ Max
 Insulation Resistance: 500 MΩ MIN
 Withstanding Voltage: 1000V AC r.m.s
 Temperature Range—Operating: -40°C~+85°C

Material and Plating
 Housing: PA46 UL94V-0
 Contact: Phosphor Bronze/Gold Plated
 Shell: Copper Alloy/Nickel Plated



Recommended P.C.Board Layout

Ordering Information

FRJ45 089 — 1 1 XX K6 K 0 2 0 0
 1 2 3 4 5 6 7 8

- 1 Category: FRJ45-RJ45 Connector
- 2 Distinction No.: 089
- 3 Ports options: 1-1 Port
- 4 Plating: 1-Gold Plated
- 5 Thickness of plating: 00-Gold flash, 03-3μ, Custom plate available
- 6 Color-Resin: K6-Black
- 7 Packaging: K-Tray
- 8 Contact type: 2-Round pin



 THIRD ANGLE PROJECTION	GENERAL TOLERANCES (UNLESS SPECIFIED)		APPROVE BY FRANK	DATE 18/JUN/18	PART NO. FRJ45089-11XXK6K0200	ITEM NO. FRJ45089	 3K-KAMING	
	DESIGN UNITS Inch (metric)	X.X±.012(0.30) X.X±.008(0.20) X.XX±.006(0.15) X.XXX±.004(0.10)	X.±5° .X'±2° .XX'±1° .XXX'±0.5°	CHECKED BY CHERRY	DATE 18/JUN/18	TITLE RJ45 Connector 8P8C 180° Vertical		REV 0
SCALE 5:1	SIZE A4		DRAWN BY KATE	DATE 18/JUN/18	THIS DRAWING CONTAINS INFORMATION THAT IS PROPRIETARY TO DONG GUAN LANG LUN(3K-KAMING) ELECTRONIC PRODUCTS CO., LTD. AND SHOULD NOT BE USED WITHOUT WRITTEN PERMISSION			