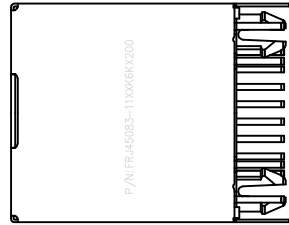


1 2 3 4 5 6 7 8

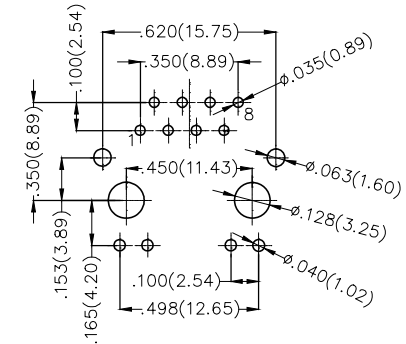
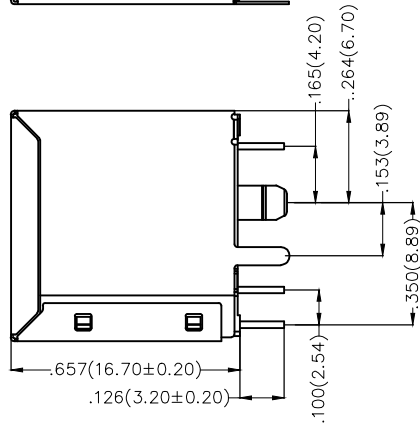
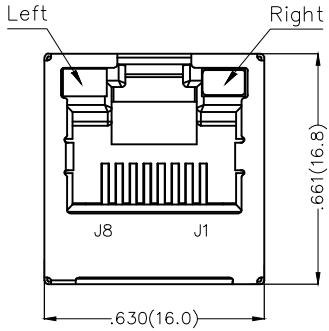
REV	LOCATIONS	DESCRIPTION	DATE	REVISER	APPD
1	△	Part No.: Change FRJ45110 into FRJ45083	29/JAN/19	KATE	ANDY



**SPECIFICATIONS**

**Electrical Performances**  
 Current Rating: 1.5A AC(rms)/DC  
 Voltage Rating: 125V AC(rms)/DC  
 Contact Resistance: 30 mΩ Max  
 Insulation Resistance: 500 MΩ MIN  
 Withstanding Voltage: 1000V AC r.m.s  
 Temperature Range—Operating: -40°C~+85°C

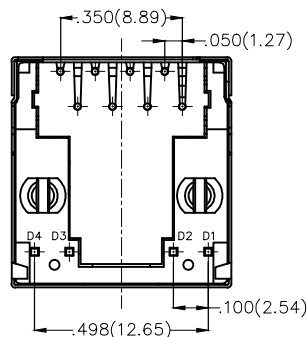
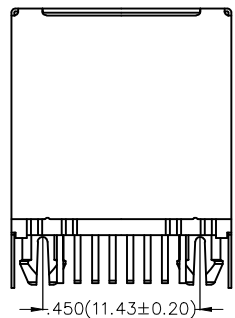
**Material and Plating**  
 Housing: Thermoplastic UL94V-0,  
 Contact: Phosphor Bronze/Gold Plated  
 Shell: Copper Alloy/Nickel Plated



Recommended P.C.Board Layout

A  
B  
C  
D  
E  
F

A  
B  
C  
D  
E  
F



**Ordering Information**

FRJ45 083 — 1 1 XX K6 K X 2 0 0  
 1 2 3 4 5 6 7 8 9

1   Category FRJ45—RJ45 Connector	2   Distinction No. 083	3   Ports options 1—1 Port	4   Plating 1—Gold Plated	5   Thickness of plating 00—Gold flash 03—3μ" Custom plate available
6   Color—Resin K6—Black	7   Packaging K—Tray	8   LED style 1—L: Yellow R: Green 2—L: Green R: Yellow 8—L: Yellow R: Yellow	9   Contact type 2—Round pin	

THIRD ANGLE PROJECTION	GENERAL TOLERANCES (UNLESS SPECIFIED)		APPROVE BY FRANK	DATE 18/JUN/13	PART NO. △ FRJ45083-11XXK6KX200	ITEM NO. FRJ45083		
	DESIGN UNITS Inch (metric)	X.±.012(0.30) X.X±.008(0.20) X.XX±.006(0.15) X.XXX±.004(0.10)	X.±5° .X'±2° .XX'±1° .XXX'±0.5°	CHECKED BY CHERRY	DATE 18/JUN/13	TITLE RJ45 Connector 8P8C 180° Vertical		REV 1
SCALE 5:1	SIZE A4		DRAWN BY KEVIN	DATE 18/JUN/13	THIS DRAWING CONTAINS INFORMATION THAT IS PROPRIETARY TO DONG GUAN LANG LUN(3K-KAMING) ELECTRONIC PRODUCTS CO., LTD. AND SHOULD NOT BE USED WITHOUT WRITTEN PERMISSION			

1 2 3 4 5 6 7 8