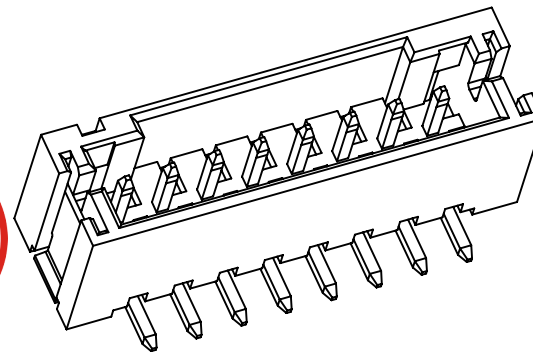
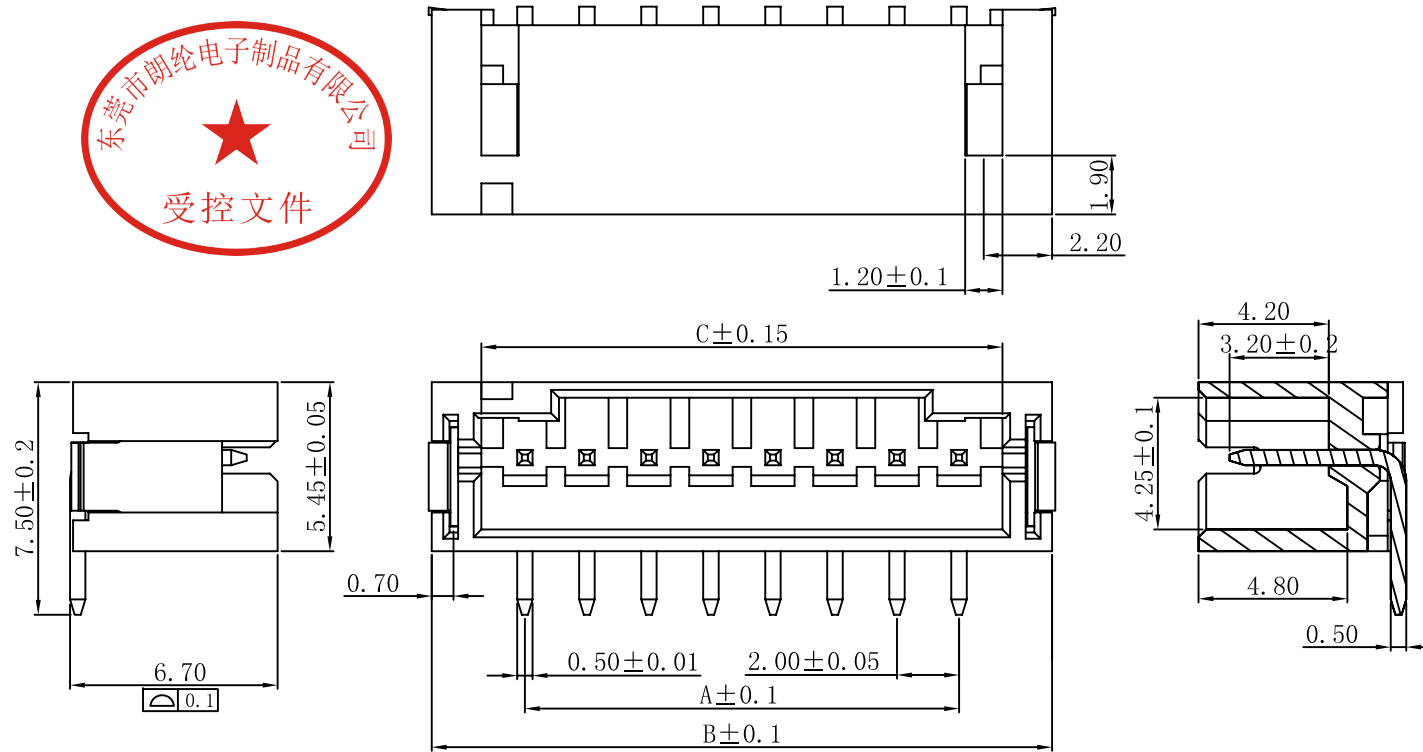




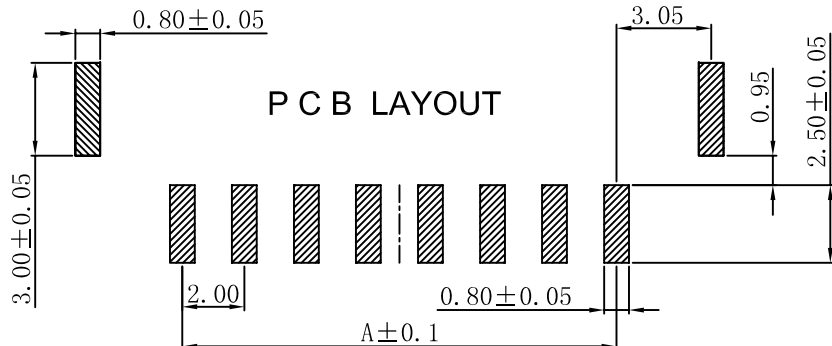
性能:

额定电流: 1A
 额定电压: 100V
 耐电压: 500V
 接触电阻: $\leq 20m\Omega$
 绝缘电阻: $500M\Omega$
 工作温度: $-20^{\circ}C \sim +85^{\circ}C$

塑件(材质): LCP, UL94V-0
 插簧(材质): 黄铜, 镀锡
 焊片(材质): 磷青铜, 镀锡



孔位	A	B	C
2	2.00	8.00	4.80
3	4.00	10.00	6.80
4	6.00	12.00	8.80
5	8.00	14.00	10.80
6	10.00	16.00	12.80
7	12.00	18.00	14.80
8	14.00	20.00	16.80
9	16.00	22.00	18.80
10	18.00	24.00	20.80
11	20.00	26.00	22.80
12	22.00	28.00	24.80



$X \pm 0.20$	$X^{\circ} \pm 5^{\circ}$	UNITS mm	NAME (INTENDED USE) 2.0 立贴/wafer	东莞市朗纶电子制品有限公司 Dongguan langlun electronic products Co., Ltd			
$.X \pm 0.15$	$.X^{\circ} \pm 2^{\circ}$	MAT'L	PART NO. (INTENDED USE) 2.0-B-nPB				
$.XX \pm 0.08$	$.XX^{\circ} \pm 1^{\circ}$	FINISH	APPD:	TITLE: 2.0 立贴/wafer			
$.XXX \pm 0.05$	$.XXX^{\circ} \pm 0.5^{\circ}$		Q'TY	CHKD:	DWG NO.:		
THESE DRAWINGS AND SPECIFICATIONS ARE THE PROPERTY OF ACCURATE 3K-KAMING (LANG LUN) INC. AND SHALL NOT BE REPRODUCED, COPIED OR USED IN ANY MANNER WITHOUT THE PRIOR WRITTEN CONSENT OF ACCURATE 3K-KAMING (LANG LUN) INC.			DR: huang sheng2013-02-02		SCALE	SHEET	REV.