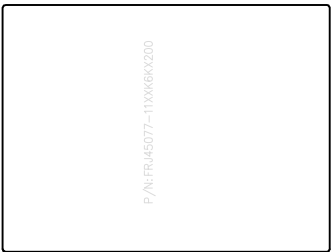


REV	LOCATIONS	DESCRIPTION	DATE	REVISER	APPD
1	△	Structure change	26/APR/20	KATE	CHERRY



SPECIFICATIONS

Electrical
 Current Rating: 1.5A AC(rms)/DC
 Voltage Rating: 125V AC(rms)/DC
 Contact Resistance: 30 mΩ Max
 Insulation Resistance: 500 MΩ Min / DC 500V
 Withstanding Voltage: 1000V AC r.m.s
 Operating Temperature: -40°C~+85°C

Mechanical
 Durability: 750 cycles Min.
 Mating force: 2.2KG.F Max.
 Retention force: 7.7KG.F between jack and plug

Material and plating
 Housing: PA46 (UL 94V-0), Black
 Contact: Phosphor Bronze/ Gold plated
 Shell: Brass/ Nickel plated

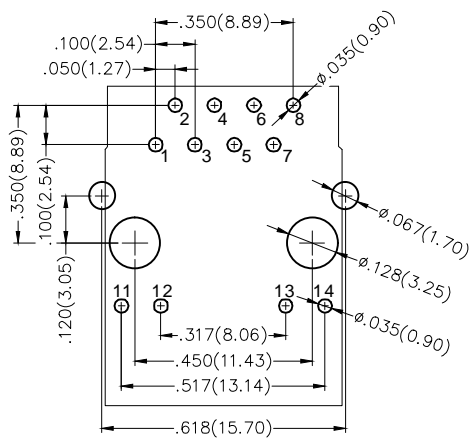
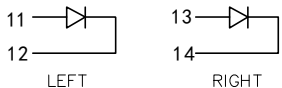
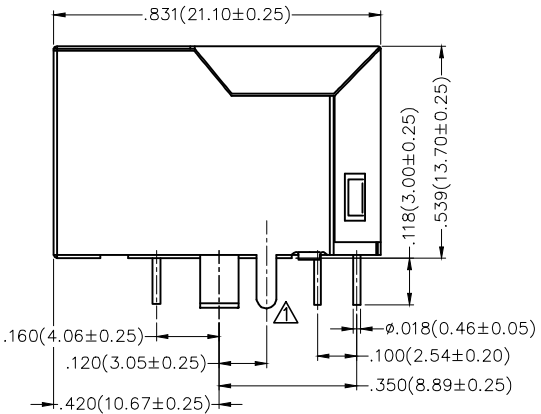
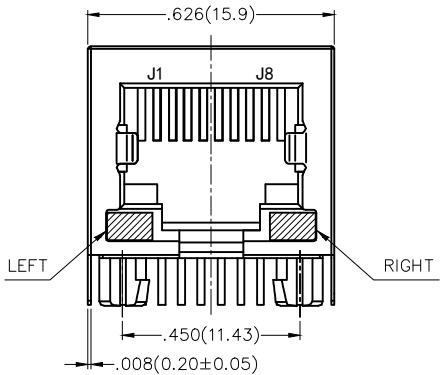
LED Specification

Standard LED Color	LED Wavelength	Foward(A)	Foward(V)
Green	568nm	20mA	1.8-2.8V
Yellow	585nm	20mA	1.8-2.8V

Ordering Information

FRJ45 077 - 1 1 XX K6 K X 2 0 0
 1 2 3 4 5 6 7 8 9

1 Category FRJ45-RJ45 Connector	2 Distinction No. 077	3 Ports options 1-1 Port	4 Plating 1-Gold Plated
5 Thickness of plating 00-Gold flash 03-3μ" Custom plate available	6 Color-Resin K6-Black	7 Packaging K-Tray	8 LED style 1-L: Yellow R: Green 2-L: Green R: Yellow
9 Contact type 2-Round pin			



Recommended P.C.Board Layout
 Tolerances: ±.002(0.05)



THIRD ANGLE PROJECTION		GENERAL TOLERANCES (UNLESS SPECIFIED)		APPROVE BY	DATE	PART NO.	ITEM NO.	3K-KAMING®	
DESIGN UNITS	Inch (metric)	X.±.012(0.30)	X.±5°	FRANK	16/APR/17	FRJ45077-11XXK6KX200	FRJ45077	REV 1	SHEET NO. 1/1
SCALE	SIZE	X.X±.008(0.20)	.X'±2°	CHECKED BY	DATE	TITLE		THIS DRAWING CONTAINS INFORMATION THAT IS PROPRIETARY TO DONG GUAN LANG LUN(3K-KAMING) ELECTRONIC PRODUCTS CO., LTD. AND SHOULD NOT BE USED WITHOUT WRITTEN PERMISSION	
5:1	A4	X.XX±.006(0.15)	.XX'±1°	CHERRY	16/APR/17	RJ45 Connector 8P8C 90° Angle			
		X.XXX±.004(0.10)	.XXX'±0.5°	DRAWN BY	DATE				
				KATE	16/APR/17				