

REV	LOCATIONS	DESCRIPTION	DATE	REVISER	APPD
1	△	Size changes	04/SEP/19	KATE	FRANK

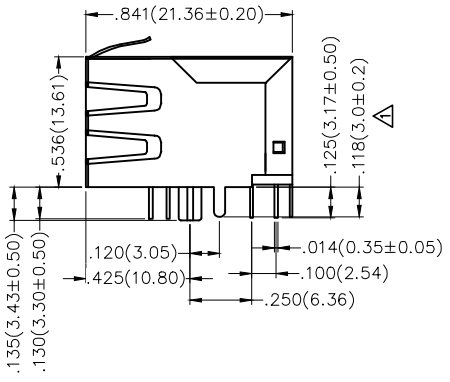
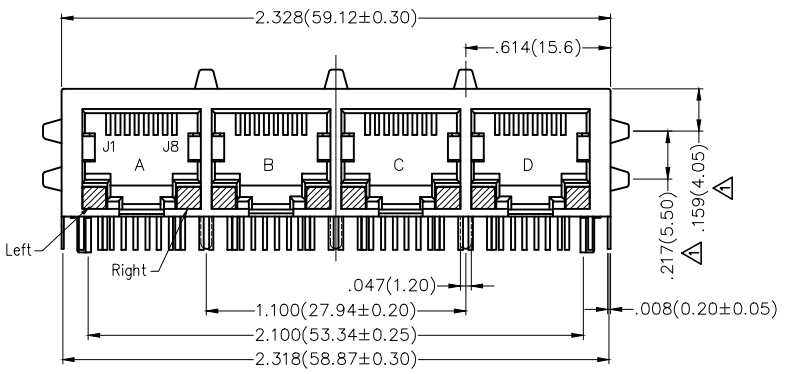
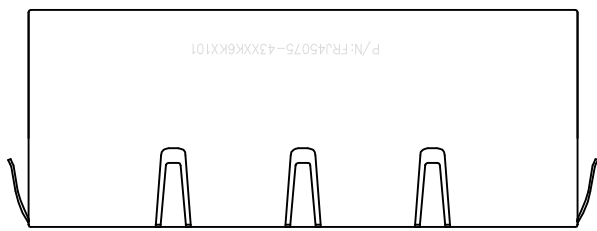


SPECIFICATIONS

Electrical
 Current Rating: 1.5A AC(rms)/DC
 Voltage Rating: 125V AC(rms)/DC
 Contact Resistance: 50 mΩ Max
 Insulation Resistance: 1000 MΩ Min / DC 500V
 Withstanding Voltage: 500V AC r.m.s
 Operating Temperature: -40°C~+85°C

Mechanical
 Durability: 750 cycles Min.

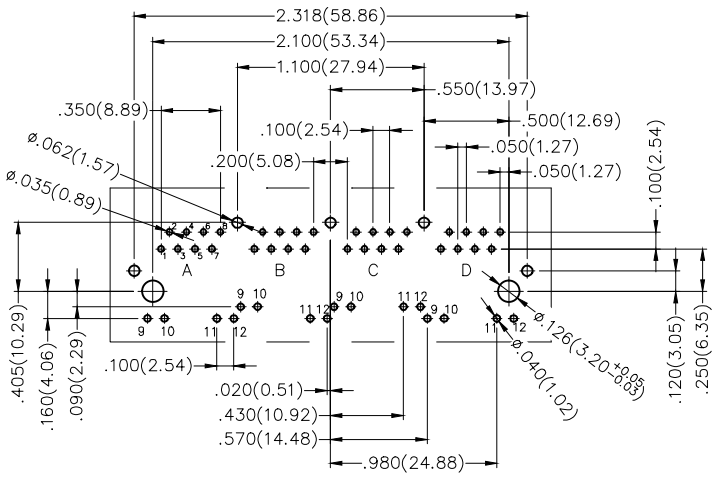
Material and plating
 Housing: PBT (UL 94V-0), Black
 Contact: Phosphor Bronze/ Selective gold in contact area, tin on tail
 Shell: Brass/ Nickel plated



Ordering Information

FRJ45 075 - 4 3 XX K6 K X 1 0 1
 1 2 3 4 5 6 7 8 9 10

1 Category FRJ45-RJ45 Connector	2 Distinction No. 075	3 Ports options 4-4 Ports	4 Plating 3-Selective gold in contact area, tin on tail	5 Thickness of plating 00-Gold flash 06-6μ" Custom plate available
6 Color-Resin K6-Black	7 Packaging K-Tray	8 LED style 1-L: Yellow R: Green 2-L: Green R: Yellow	9 Contact type 1-Square pin	10 Pin circuits 1-100Base-T



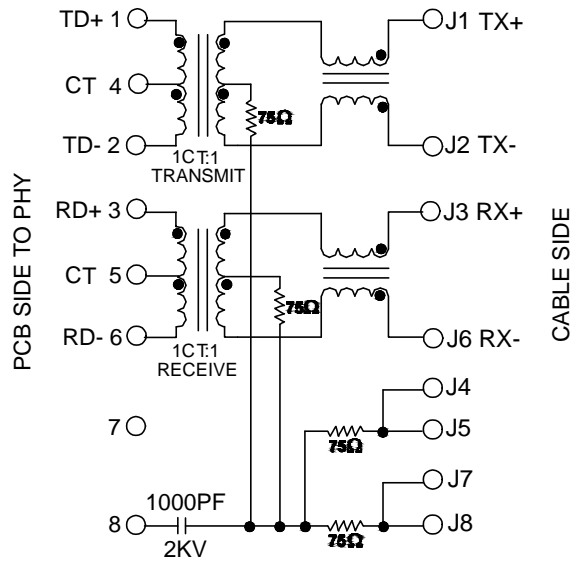
Recommended P.C.Board Layout
 Tolerances: ±.002(0.05)

THIRD ANGLE PROJECTION	GENERAL TOLERANCES (UNLESS SPECIFIED)		APPROVE BY FRANK	DATE 16/OCT/17	PART NO. FRJ45075-43XXK6KX101	ITEM NO. FRJ45075		
	X.±.012(0.30)	X.±5'	CHECKED BY CHERRY	DATE 16/OCT/17	TITLE RJ45 Connector 8P8C 90° Angle (100Base-T)			
DESIGN UNITS Inch (metric)	X.X±.008(0.20)	X.±2'	DRAWN BY KATE	DATE 16/OCT/17	THIS DRAWING CONTAINS INFORMATION THAT IS PROPRIETARY TO DONG GUAN LANG LUN(3K-KAMING) ELECTRONIC PRODUCTS CO., LTD. AND SHOULD NOT BE USED WITHOUT WRITTEN PERMISSION		REV 1	SHEET NO. 1/2
SCALE 5:1	SIZE A4	X.XX±.006(0.15)						

REV	LOCATIONS	DESCRIPTION	DATE	REVISER	APPD



SCHEMATIC

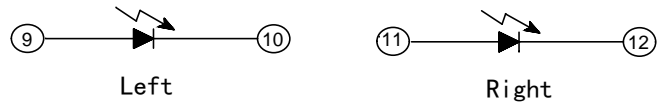


Electrical:

1. Turn ratio RX=1CT:1CT(±5%).
TX=1CT:1CT(±5%).
2. OCL: 350uH Min. at 100KHz 100mV with 8mA bias from 0°C~+70°C
3. Insertion Loss: -1.0 dB Max from 1~100MHz.
4. Return loss: -18dB Min from 10~30MHz.
-12dB Min 60~80MHz.
5. Cross talk: -35dB Min from 0.5MHz~100MHz;
-30dB Min 60~100MHz;
6. CMR: -35dB Min 1~100MHz;
7. Hi-Pot: 1200V AC.

LED Specification

Standard LED Color	LED Wavelength	Foward(A)	Foward(V)
Green	565nm	20mA	2.5V
Yellow	585nm	20mA	2.5V



<p>THIRD ANGLE PROJECTION</p>	GENERAL TOLERANCES (UNLESS SPECIFIED)		APPROVE BY FRANK	DATE 16/OCT/17	PART NO. FRJ45075-43XXK6KX101	ITEM NO. FRJ45075	<p>3K-KAMING®</p>
	X.±.012(0.30)	X.±5°	CHECKED BY CHERRY	DATE 16/OCT/17	TITLE RJ45 Connector 8P8C 90° Angle (100Base-T)		
DESIGN UNITS Inch (metric)	X.X±.008(0.20)	.X'±2°	DRAWN BY KATE	DATE 16/OCT/17	REV 1 SHEET NO. 2/2		<p>THIS DRAWING CONTAINS INFORMATION THAT IS PROPRIETARY TO DONG GUAN LANG LUN(3K-KAMING) ELECTRONIC PRODUCTS CO., LTD. AND SHOULD NOT BE USED WITHOUT WRITTEN PERMISSION</p>
SCALE 5:1	SIZE A4	X.XX±.006(0.15)	.XX'±1°				