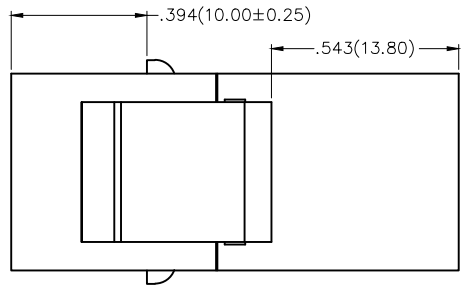


1 2 3 4 5 6 7 8

REV	LOCATIONS	DESCRIPTION	DATE	REVISER	APPD

A  
B  
C  
D  
E  
F

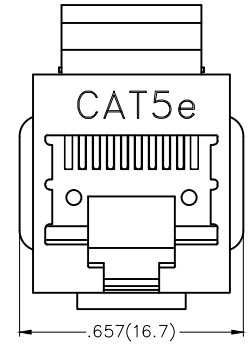
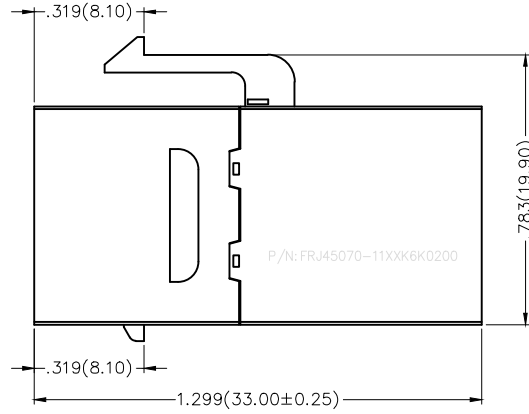
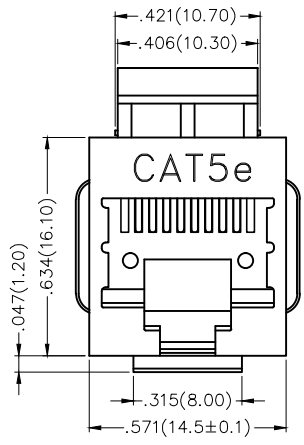
A  
B  
C  
D  
E  
F



SPECIFICATIONS

Electrical  
 Current Rating: 1.5A AC(rms)/DC  
 Voltage Rating: 125V AC(rms)/DC  
 Contact Resistance: 30 mΩ Max  
 Insulation Resistance: 500 MΩ Min  
 Withstanding Voltage: 500V AC r.m.s  
 Operating Temperature: -40°C~+85°C

Material and plating  
 Housing: PBT (UL 94V-0), Black  
 Contact: Phosphor Bronze/ Gold plated  
 Shell: Brass/ Nickel plated



Ordering Information

FRJ45 070 - 1 1 XX K6 K 0 2 0 0  
 1 2 3 4 5 6 7 8

1 Category FRJ45-RJ45 Connector	2 Distinction No. 070	3 Ports options 1-1 Port	4 Plating 1-Gold Plated
5 Thickness of plating 00-Gold flash 03-3μ" Custom plate available	6 Color-Resin K6-Black	7 Packaging K-Tray	8 Contact type 2-Round pin



<p>THIRD ANGLE PROJECTION</p>	GENERAL TOLERANCES (UNLESS SPECIFIED)		APPROVE BY FRANK	DATE 16/JUL/18	PART NO. FRJ45070-11XXK6K0200	ITEM NO. FRJ45070	<p>3K-KAMING</p>
	DESIGN UNITS Inch (metric)	X.±.012(0.30)	X.±5'	CHECKED BY CHERRY	DATE 16/JUL/18	TITLE RJ45 connector - Adapter 8P8C	
SCALE 5:1	SIZE A4	X.XX±.008(0.20)	X.±2'	DRAWN BY KATE	DATE 16/JUL/18	THIS DRAWING CONTAINS INFORMATION THAT IS PROPRIETARY TO DONG GUAN LANG LUN(3K-KAMING) ELECTRONIC PRODUCTS CO., LTD. AND SHOULD NOT BE USED WITHOUT WRITTEN PERMISSION	
		X.XX±.006(0.15)	.XX±1'			REV 0	SHEET NO. 1/1
		X.XXX±.004(0.10)	.XXX±0.5'				

1 2 3 4 5 6 7 8