

REV	LOCATIONS	DESCRIPTION	DATE	REVISER	APPD

SPECIFICATIONS

Electrical
 Current Rating: 1.5A AC(rms)/DC
 Voltage Rating: 125V AC(rms)/DC
 Contact Resistance: 30 mΩ Max
 Insulation Resistance: 500 MΩ Min / DC 500V
 Withstanding Voltage: 1000V AC r.m.s
 Operating Temperature: -40°C~+85°C

Mechanical
 Durability: 750 cycles Min.
 Mating force: 2.2KG.F Max.
 Retention force: 7.7KG.F between jack and plug

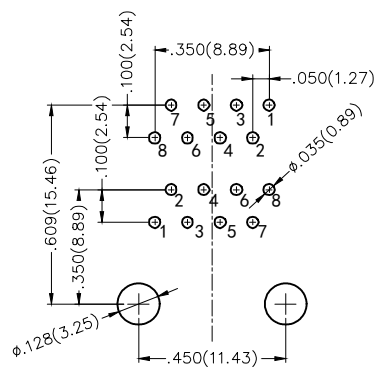
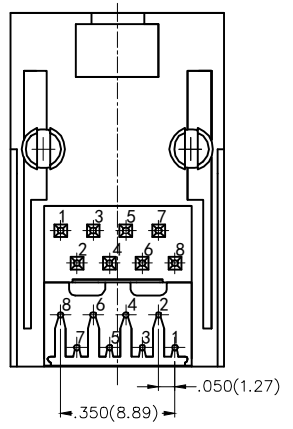
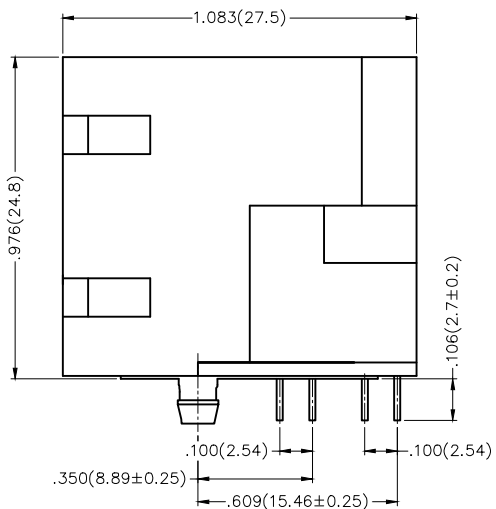
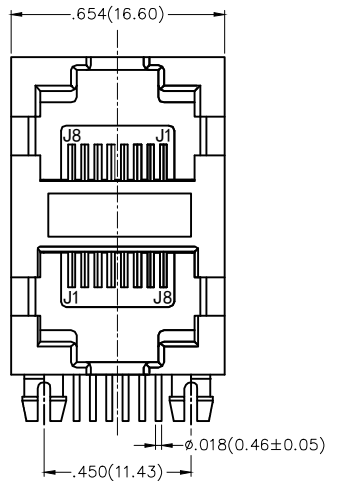
Material and plating
 Housing: PBT (UL 94V-0), Black
 Contact: Phosphor Bronze/ Gold plated



Ordering Information

FRJ45 069 - 2 1 XX K6 K 0 2 0 0
 1 2 3 4 5 6 7 8

1 Category FRJ45-RJ45 Connector	2 Distinction No. 069	3 Ports options 2-2 Ports	4 Plating 1-Gold Plated
5 Thickness of plating 00-Gold flash 03-3μ" Custom plate available	6 Color-Resin K6-Black	7 Packaging K-Tray	8 Contact type 2-Round pin



Recommended P.C.Board Layout
 Tolerances: ±.002(0.05)



THIRD ANGLE PROJECTION	GENERAL TOLERANCES (UNLESS SPECIFIED)		APPROVE BY FRANK	DATE 16/JUL/18	PART NO. FRJ45069-21XXK6K0200	ITEM NO. FRJ45069	 3K-KAMING REV 0 SHEET NO. 1/1
	DESIGN UNITS Inch (metric)	X.±.012(0.30) X'.±5'	CHECKED BY CHERRY	DATE 16/JUL/18	TITLE RJ45 Connector 8P8C 90° Angle		
SCALE 5:1	SIZE A4	X.XX±.006(0.15) .XX±1"	DRAWN BY KATE	DATE 16/JUL/18	THIS DRAWING CONTAINS INFORMATION THAT IS PROPRIETARY TO DONG GUAN LANG LUN(3K-KAMING) ELECTRONIC PRODUCTS CO.,LTD. AND SHOULD NOT BE USED WITHOUT WRITTEN PERMISSION		