

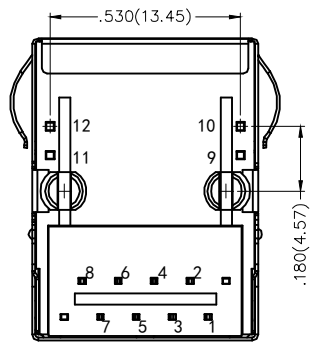
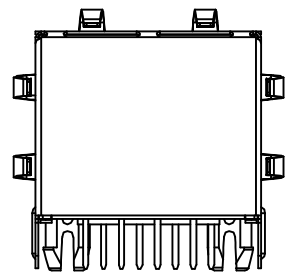
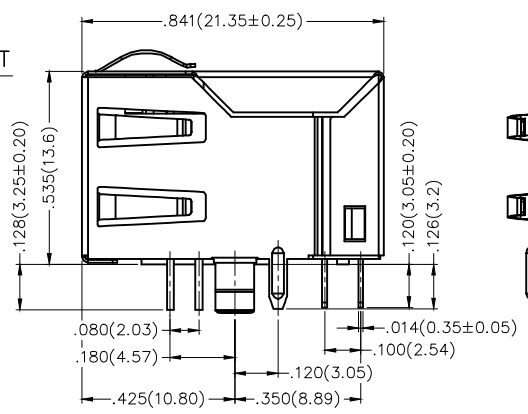
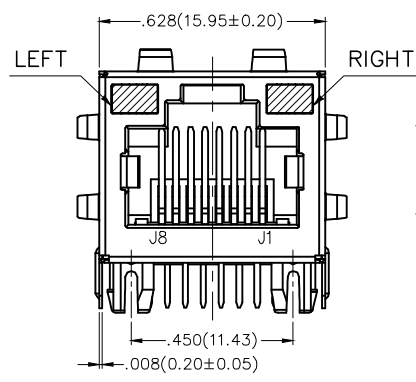
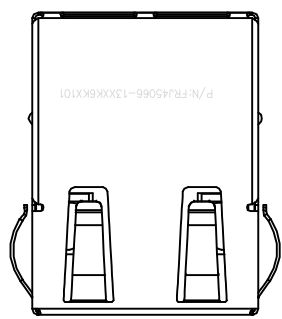
REV	LOCATIONS	DESCRIPTION	DATE	REVISER	APPD

**SPECIFICATIONS**

**Electrical**  
 Current Rating: 1.5A AC(rms)/DC  
 Voltage Rating: 125V AC(rms)/DC  
 Contact Resistance: 30 mΩ Max  
 Insulation Resistance: 500 MΩ Min / DC 500V  
 Withstanding Voltage: 500V AC r.m.s  
 Operating Temperature: -40°C~+85°C

**Mechanical**  
 Durability: 750 cycles Min.  
 Mating force: 30N Max.

**Material and plating**  
 Housing: PA66 (UL 94V-0), Black  
 Contact: Phosphor Bronze/ Selective gold in contact area, tin on tail  
 Shell: Brass/ Nickel plated



**Ordering Information**

FRJ45 066 - 1 3 XX K6 K X 1 0 1  
 1 2 3 4 5 6 7 8 9 10

1 Category FRJ45-RJ45 Connector	2 Distinction No. 066	3 Ports options 1-1 Port	4 Plating 3-Selective gold in contact area, tin on tail	5 Thickness of plating 00-Gold flash 06-6μ" Custom plate available
6 Color-Resin K6-Black	7 Packaging K-Tray	8 LED style 1-L: Yellow R: Green 2-L: Green R: Yellow	9 Contact type 1-Square pin	10 Pin circuits 1-100Base-T

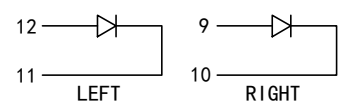
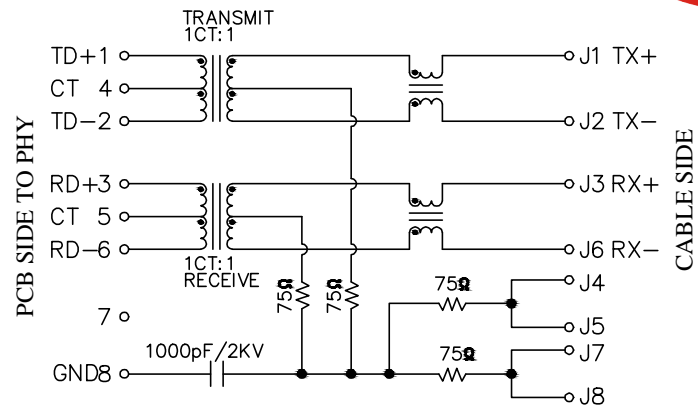


THIRD ANGLE PROJECTION	GENERAL TOLERANCES (UNLESS SPECIFIED)		APPROVE BY FRANK	DATE 16/OCT/17	PART NO. FRJ45066-13XXK6KX101	ITEM NO. FRJ45066	 3K-KAMING REV 0 SHEET NO. 1/2
	DESIGN UNITS Inch (metric)	X.±0.12(0.30) X.±5' X.X±.008(0.20) .X±2'	CHECKED BY CHERRY	DATE 16/OCT/17	TITLE RJ45 Connector 8P8C 90° Angle (100Base-T)		
SCALE 5:1	SIZE A4	X.XX±.006(0.15) .XX±1" X.XXX±.004(0.10) .XXX±0.5'	DRAWN BY KATE	DATE 16/OCT/17	THIS DRAWING CONTAINS INFORMATION THAT IS PROPRIETARY TO DONG GUAN LANG LUN(3K-KAMING) ELECTRONIC PRODUCTS CO.,LTD. AND SHOULD NOT BE USED WITHOUT WRITTEN PERMISSION		

REV	LOCATIONS	DESCRIPTION	DATE	REVISER	APPD



SCHMATIC

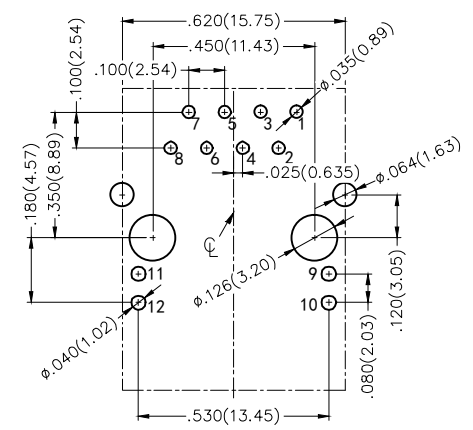


LED Specification

Standard LED Color	LED Wavelength	Foward(A)	Foward(V)
Green	568nm	20mA	1.8-2.8V
Yellow	585nm	20mA	1.8-2.8V



Electrical Specifications@25°C±5°C							
Turns Ratio(±2%)		OCL(uH Min) @100KHz/0.1V		Insertion Loss (dB Max)		HI-Pot (Vrms)	
TX	RX	With 8mA DC Bias		1-100MHz		1500	
1CT:1CT	1CT:1CT	350		-1.0			
Retrun Loss (dB Min)				Cross talk (dB Min)			CMR (dB Min)
1-10MHz	10-30MHz	30-60MHz	60-80MHz	1-30MHz	30-60MHz	60-100MHz	1-100MHz
-20	-16	-12	-10	-40	-35	-30	-35



<p>THIRD ANGLE PROJECTION</p>	GENERAL TOLERANCES (UNLESS SPECIFIED)		APPROVE BY	DATE	PART NO.	ITEM NO.	<p>3K-KAMING</p>
	X.±.012(0.30)	X'.±5'	FRANK	16/OCT/17	FRJ45066-13XXK6KX101	FRJ45066	
DESIGN UNITS Inch (metric)	X.XX±.008(0.20)	.X'±2'	CHECKED BY	DATE	TITLE		<p>REV 0 SHEET NO. 2/2</p>
SCALE	X.XX±.006(0.15)	.XX'±1'	CHERRY	16/OCT/17	RJ45 Connector 8P8C 90° Angle (100Base-T)		
SIZE A4	X.XXX±.004(0.10)	.XXX'±0.5'	DRAWN BY	DATE	THIS DRAWING CONTAINS INFORMATION THAT IS PROPRIETARY TO DONG GUAN LANG LUN(3K-KAMING) ELECTRONIC PRODUCTS CO.,LTD. AND SHOULD NOT BE USED WITHOUT WRITTEN PERMISSION		
5:1			KATE	16/OCT/17			

REV	LOCATIONS	DESCRIPTION	DATE	REVISER	APPD



**SPECIFICATIONS**

**Electrical**  
 Current Rating: 1.5A AC(rms)/DC  
 Voltage Rating: 125V AC(rms)/DC  
 Contact Resistance: 30 mΩ Max  
 Insulation Resistance: 500 MΩ Min / DC 500V  
 Withstanding Voltage: 500V AC r.m.s  
 Operating Temperature: -40°C~+85°C

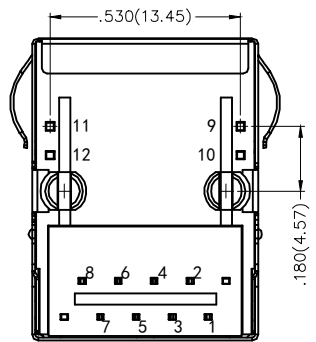
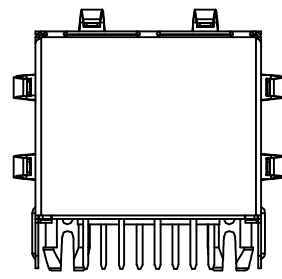
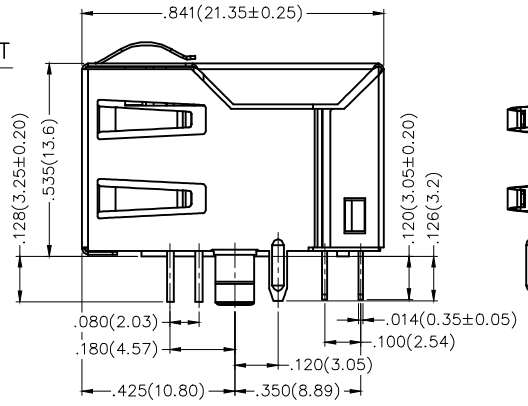
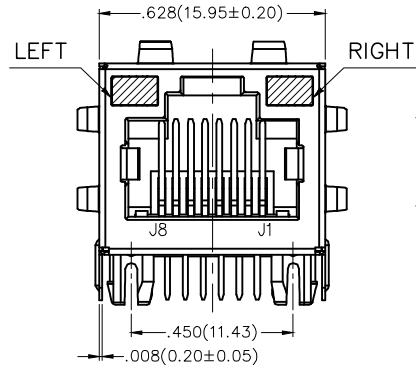
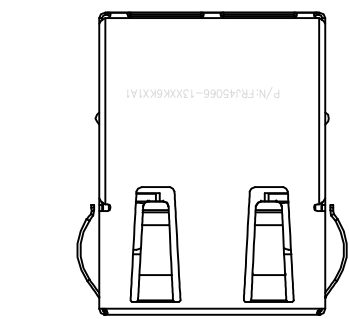
**Mechanical**  
 Durability: 750 cycles Min.  
 Mating force: 30N Max.

**Material and plating**  
 Housing: PA66 (UL 94V-0), Black  
 Contact: Phosphor Bronze/ Selective gold in contact area, tin on tail  
 Shell: Brass/ Nickel plated

**Ordering Information**

FRJ45 066 - 1 3 XX K6 K X 1 A 1  
 1 2 3 4 5 6 7 8 9 10 11

1 Category FRJ45-RJ45 Connector	2 Distinction No. 066	3 Ports options 1-1 Port	4 Plating 3-Selective gold in contact area, tin on tail	5 Thickness of plating 00-Gold flash 06-6μ" Custom plate available
6 Color-Resin K6-Black	7 Packaging K-Tray	8 LED style 1-L: Yellow R: Green 2-L: Green R: Yellow	9 Contact type 1-Square pin	10 Distinction type A-A type
11 Pin circuits 1-100Base-T				

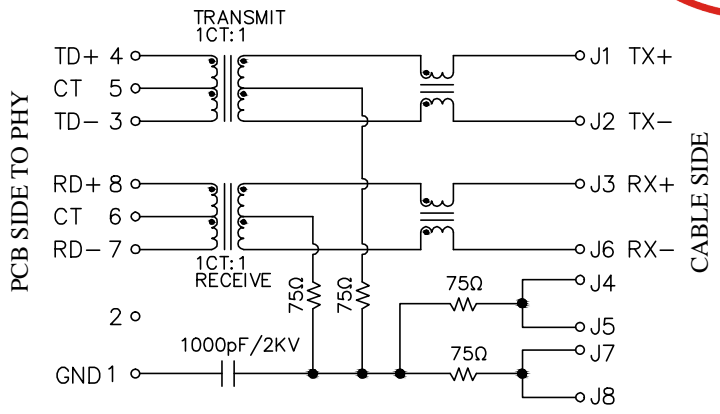


THIRD ANGLE PROJECTION	GENERAL TOLERANCES (UNLESS SPECIFIED)		APPROVE BY FRANK	DATE 16/OCT/17	PART NO. FRJ45066-13XXK6KX1A1	ITEM NO. FRJ45066	
	X.±.012(0.30)	X.±5'	CHECKED BY CHERRY	DATE 16/OCT/17	TITLE RJ45 Connector 8P8C 90° Angle (100Base-T)		
DESIGN UNITS Inch (metric)	X.X±.008(0.20)	.X'±2'	DRAWN BY KATE	DATE 16/OCT/17	THIS DRAWING CONTAINS INFORMATION THAT IS PROPRIETARY TO DONG GUAN LANG LUN(3K-KAMING) ELECTRONIC PRODUCTS CO.,LTD. AND SHOULD NOT BE USED WITHOUT WRITTEN PERMISSION		
SCALE 5:1	SIZE A4	X.XX±.006(0.15)					
		X.XXX±.004(0.10)					

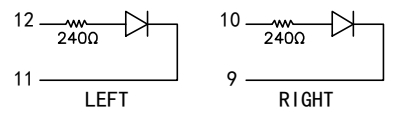
REV	LOCATIONS	DESCRIPTION	DATE	REVISER	APPD



SCHMATIC

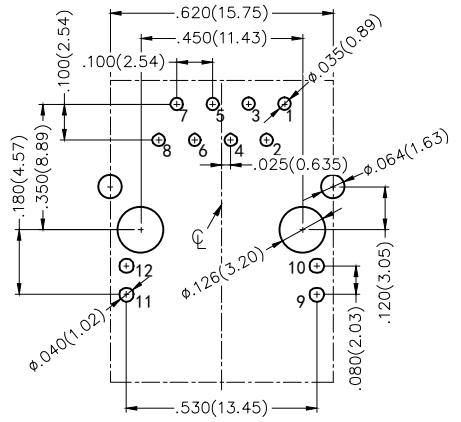


Electrical Specifications@25°C±5°C							
Turns Ratio(±2%)		OCL(uH Min) @100KHz/0.1V		Insertion Loss (dB Max)		HI-Pot (Vrms)	
TX	RX	With 8mA DC Bias		1-100MHz		1500	
1CT:1CT	1CT:1CT	350		-1.0			
Retrun Loss (dB Min)				Cross talk (dB Min)			CMR (dB Min)
1-10MHz	10-30MHz	30-60MHz	60-80MHz	1-30MHz	30-60MHz	60-100MHz	1-100MHz
-20	-16	-12	-10	-40	-35	-30	-35



LED Specification

Standard LED Color	LED Wavelength	Foward(A)	Foward(V)
Green	568nm	20mA	1.8-2.8V
Yellow	585nm	20mA	1.8-2.8V



 THIRD ANGLE PROJECTION	GENERAL TOLERANCES (UNLESS SPECIFIED)		APPROVE BY	DATE	PART NO.	ITEM NO.	 3K-KAMING
	X.±.012(0.30)	X'.±5'	FRANK	16/OCT/17	FRJ45066-13XXK6KX1A1	FRJ45066	
DESIGN UNITS Inch (metric)	X.X±.008(0.20)	.X'±2'	CHECKED BY	DATE	TITLE		REV 0 SHEET NO. 2/2
SCALE	X.XX±.006(0.15)	.XX'±1'	CHERRY	16/OCT/17	RJ45 Connector 8P8C 90° Angle (100Base-T)		
5:1	X.XXX±.004(0.10)	.XXX'±0.5'	DRAWN BY	DATE	THIS DRAWING CONTAINS INFORMATION THAT IS PROPRIETARY TO DONG GUAN LANG LUN(3K-KAMING) ELECTRONIC PRODUCTS CO.,LTD. AND SHOULD NOT BE USED WITHOUT WRITTEN PERMISSION		
A4			KATE	16/OCT/17			