

REV	LOCATIONS	DESCRIPTION	DATE	REVSER	APPD
1	△	1. Add the "TXGA" logo 2. Part No.: Change FRJ4568 into FRJ45060	01/JUN/18	Vandy	Eric



SPECIFICATIONS

Electrical Performances

Current Rating: 1.5A AC(rms)/DC
Voltage Rating: 125V AC(rms)/DC
Contact Resistance: 30 mΩ Max
Insulation Resistance: 500 MΩ MIN
Withstanding Voltage: 1000V AC r.m.s
Temperature Range-Operating: -40°C~+85°C

Material and Plating

Housing: PBT UL 94V-0
Contact: Phosphor Bronze/ Selective gold in contact area, tin on tail

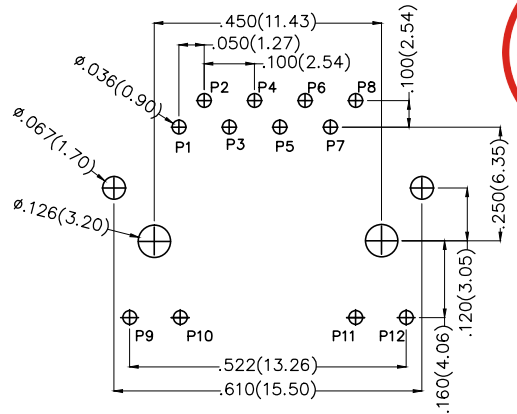
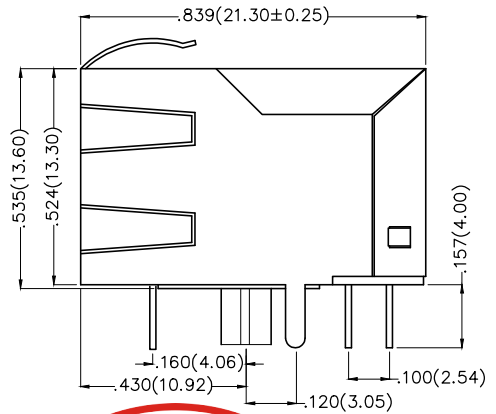
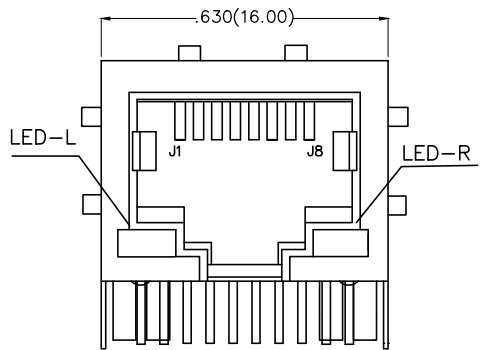
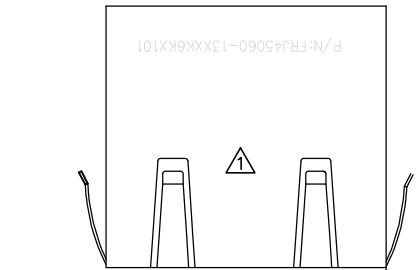
Shell: Copper Alloy/Nickel Plated

Mechanical Performances

Mating/Unmating Force: 30N Max
Retention Strength: 50N For 60s±5s
Durability: 750 Cycles Min.

Environmental Characteristics

Temperature Range-Operating: -40°C~+85°C



Recommended P.C.Board Layout



Ordering Information

FRJ45 060 - 1 3 XX K6 K X 1 0 1
1 2 3 4 5 6 7 8 9 10

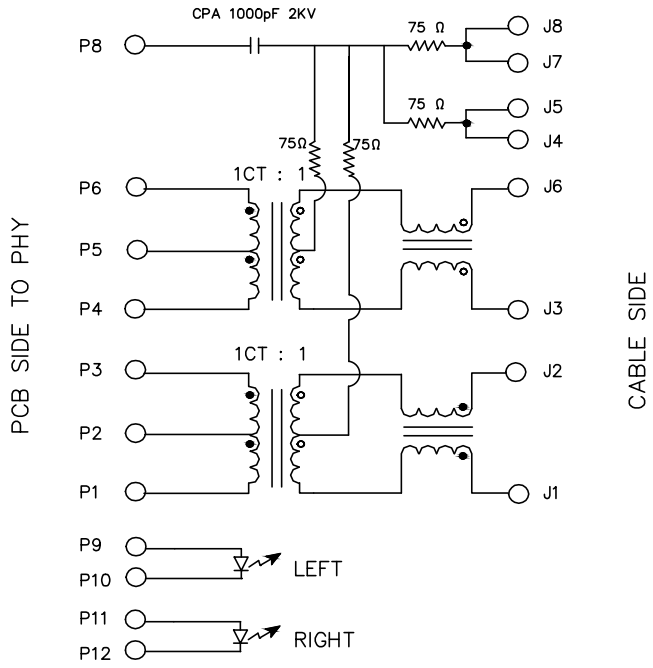
1 Category FRJ45-RJ45 Connector	2 Distinction No. 060	3 Ports options 1-1 Port	4 Plating 3-Selective gold in contact area, tin on tail	5 Thickness of plating 00-Gold flash 03-3μ" Custom plate available
6 Color-Resin K6-Black	7 Packaging K-Tray	8 LED style 1-L: Yellow R: Green 2-L: Green R: Yellow	9 Contact type 1-Square pin	10 Pin circuits 1-100Base-T

 THIRD ANGLE PROJECTION	GENERAL TOLERANCES (UNLESS SPECIFIED) X.±.012(0.30) X.±5' X.X±.008(0.20) .X'±2' X.XX±.006(0.15) .XX±1' X.XXX±.004(0.10) .XXX±0.5'		APPROVE BY FRANK DATE 1/AUG/13	PART NO. △ FRJ45060-13XXK6KX101 ITEM NO. FRJ45060	 3K-KAMING REV 1 SHEET NO. 1/2
	DESIGN UNITS Inch (metric) SCALE 5:1 SIZE A4	CHECKED BY CHERRY DATE 1/AUG/13 DRAWN BY JACOB DATE 1/AUG/13	TITLE RJ45 Connectors 8P8C 90°Angle(100Base-T)	THIS DRAWING CONTAINS INFORMATION THAT IS PROPRIETARY TO DONG GUAN LANG LUN(3K-KAMING) ELECTRONIC PRODUCTS CO.,LTD. AND SHOULD NOT BE USED WITHOUT WRITTEN PERMISSION	

REV	LOCATIONS	DESCRIPTION	DATE	REVISED	APPD



SCHMATIC



Electrical Specifications: (25°C)

- Turns Ratio:
(P1~P3):(J1~J2) = 1:1±3%
(P4~P6):(J3~J6) = 1:1±3%
- Inductance:
(P1~P3) AND (P4~P6)
350uH MAX @0.1V 100KHZ 8mA DC BIAS
- Return Loss:
@1~30MHz : -18dB Min
@ 30~60MHz : -(18-20log(f/30)) dB Min
@ 60~80MHz : -12dB Min
- Leakage Inductance:
P1~P3(With J1 And J2 Short:0.35uH MAX @1MHZ
P4~P6(With J3 And J6 Short:0.35uH MAX @1MHZ
- Interwinding Capacitance
(P1~P3):(J1~J2) :0.35uH MAX @1MHZ
(P4~P6):(J3~J6) :0.35uH MAX @1MHZ
- DC Resistance:
(J1~J2):(J3~J6) :1.2 OMS MAX
- Dielectric Withstand:
(P1~P3):(J1~J2) :1500VAC or 2250WDC
(P1~P3):(J1~J2) :1500VAC or 2250WDC
- Insertion Loss:
100KHZ To 100MHZ :-1.2dB MAX
- Cross Talk:
1MHZ TO 100MHZ :-35dB TYP
- Common To Common Mode Attenuation:
30MHZ TO100MHZ :-30dB TYP



 THIRD ANGLE PROJECTION	GENERAL TOLERANCES (UNLESS SPECIFIED)		APPROVE BY FRANK	DATE 1/AUG/13	PART NO. FRJ45060-13XXK6KX101	ITEM NO. FRJ45060	 3K-KAMING REV 1 SHEET NO. 2/2	
	DESIGN UNITS Inch (metric)	X.±.012(0.30) X.X±.008(0.20)	X'.±5' .X'±2'	CHECKED BY CHERRY	DATE 1/AUG/13	TITLE RJ45 Connectors 8P8C 90°Angle(100Base-T)		
	SCALE 5:1	SIZE A4	X.XX±.006(0.15) X.XXX±.004(0.10)	.XX'±1' .XXX'±0.5'	DRAWN BY JACOB	DATE 1/AUG/13		THIS DRAWING CONTAINS INFORMATION THAT IS PROPRIETARY TO DONG GUAN LANG LUN(3K-KAMING) ELECTRONIC PRODUCTS CO.,LTD. AND SHOULD NOT BE USED WITHOUT WRITTEN PERMISSION