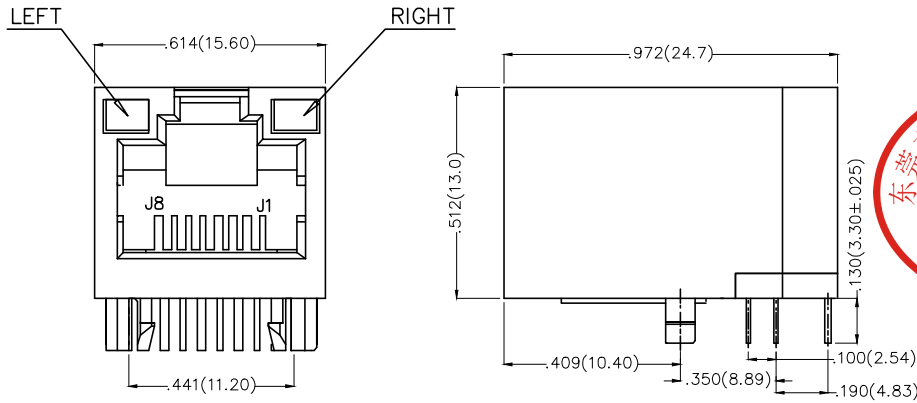


REV	LOCATIONS	DESCRIPTION	DATE	REVISER	APPD
1	△	1. Dimension: Change 11.43 into 11.20mm 2. Part No.: Change FRJ4570 into FRJ45059	01/JUN/18	Vandy	Eric



SPECIFICATIONS

Electrical Performances

Current Rating: 1.5A AC(rms)/DC
Voltage Rating: 125V AC(rms)/DC
Contact Resistance: 30 mΩ Max
Insulation Resistance: 500 MΩ MIN
Withstanding Voltage: 1000V AC r.m.s
Temperature Range—Operating: -40°C~+85°C

Material and Plating

Housing: PBT UL 94V-0
Contact: Phosphor Bronze/ Selective gold in contact area, tin on tail

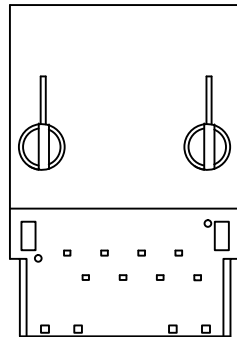
Shell: Copper Alloy/Nickel Plated

Mechanical Performances

Mating/Unmating Force: 30N Max
Retention Strength: 50N For 60s±5s
Durability: 750 Cycles Min.

Environmental Characteristics

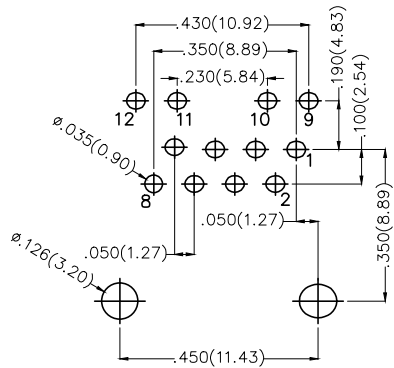
Temperature Range—Operating: -40°C~+85°C



Ordering Information

FRJ45 059 — 1 3 XX K6 K X 1 0 1
1 2 3 4 5 6 7 8 9 10

1 Category FRJ45-RJ45 Connector	2 Distinction No. 059	3 Ports options 1-1 Port	4 Plating 3-Selective gold in contact area, tin on tail	5 Thickness of plating 00-Gold flash 03-3μ" Custom plate available
6 Color-Resin K6-Black	7 Packaging K-Tray	8 LED style 1-L: Yellow R: Green 2-L: Green R: Yellow 8-L: Yellow R: Yellow	9 Contact type 1-Square pin	10 Pin circuits 1-100Base-T



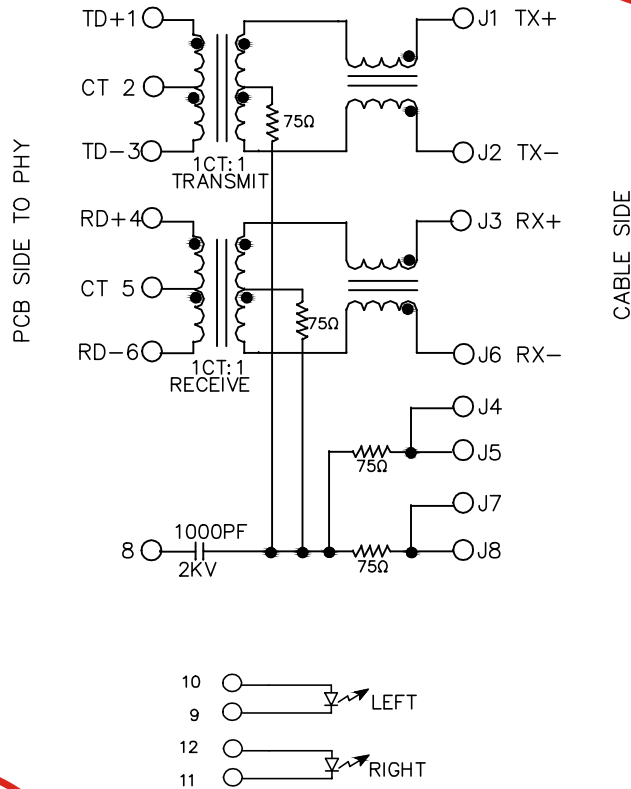
Recommended P.C.Board Layout

THIRD ANGLE PROJECTION	GENERAL TOLERANCES (UNLESS SPECIFIED)		APPROVE BY FRANK	DATE 1/AUG/13	PART NO. △ FRJ45059-13XXK6KX101	ITEM NO. FRJ45059	
	DESIGN UNITS Inch (metric)	X.±.012(0.30) X.X±.008(0.20)	X.±5' .X±2'	CHECKED BY CHERRY	DATE 1/AUG/13	TITLE RJ45 Connectors 8P8C 90°Angle(100Base-T)	
SCALE 5:1	SIZE A4	X.XX±.006(0.15) X.XXX±.004(0.10)	.XX±1' .XXX±0.5'	DRAWN BY JACOB	DATE 1/AUG/13	THIS DRAWING CONTAINS INFORMATION THAT IS PROPRIETARY TO DONG GUAN LANG LUN(3K-KAMING) ELECTRONIC PRODUCTS CO.,LTD. AND SHOULD NOT BE USED WITHOUT WRITTEN PERMISSION	REV 1 SHEET NO. 1/2

REV	LOCATIONS	DESCRIPTION	DATE	REVISER	APPD
1					



ELECTRONICAL



ELECTRICAL SPECIFICATION

TURN RATIO

- TX, secondary: primary=1CT:1CAT ±3%
- RX, secondary: primary=1CT:1CAT ±3%

OCL: 350uH min, 8mA DC bias current
 INSERTION LOSS: 1-100MHZ-1.0dB max

RETURN LOSS:

- 1MHZ TO 10MHZ: -18dB min
- 10MHZ TO 30MHZ: -16dB min
- 30MHZ TO 60MHZ: -14dB min
- 60MHZ TO 80MHZ: -12dB min
- 80MHZ TO 100MHZ: -10dB min

CROSSTALK:

1MHZ TO 100MHZ: -35dB min

COMMON MODE REJECTION:

1MHZ TO 100MHZ: -35dB min

HIPOT: 1200V AC 1mA 1S

CAPACITOR: 1000pF ±20% 2KV

RESISTENCE: 750HMS±5%

RESISTENCE OF COIL: 1.8HMS max, 0.250HMS min

LEFT LED COLOR: GREEN; RIGHT LED COLOR: GREEN



 THIRD ANGLE PROJECTION	GENERAL TOLERANCES (UNLESS SPECIFIED)		APPROVE BY	DATE	PART NO.	ITEM NO.	 3K-KAMING	
	X.±0.12(0.30)	X.±5'	FRANK	1/SEPT/13	FRJ45059-13XXK6KX101	FRJ45059		
	DESIGN UNITS Inch (metric)	X.X±.008(0.20)	.X'±2'	CHECKED BY	DATE	TITLE RJ45 Connectors 8P8C 90°Angle(100Base-T)		REV 1
SCALE	SIZE	X.XX±.006(0.15)	.XX'±1'	DRAWN BY	DATE	THIS DRAWING CONTAINS INFORMATION THAT IS PROPRIETARY TO DONG GUAN LANG LUN(3K-KAMING) ELECTRONIC PRODUCTS CO., LTD. AND SHOULD NOT BE USED WITHOUT WRITTEN PERMISSION		
5:1	A4	X.XXX±.004(0.10)	.XXX'±0.5'	JACOB	1/SEPT/13			