

REV	LOCATIONS	DESCRIPTION	DATE	REVISER	APPD
1	△	1. Add the "TXGA" logo 2. Part No.: Change FRJ4572 into FRJ45058	01/JUN/18	Vandy	Eric



SPECIFICATIONS

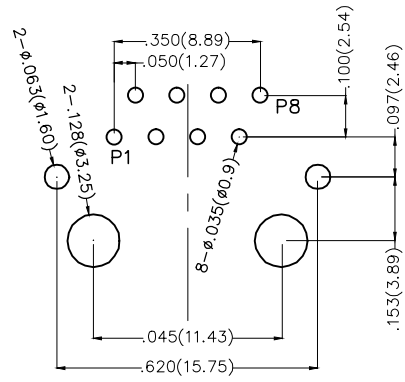
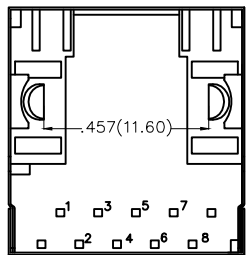
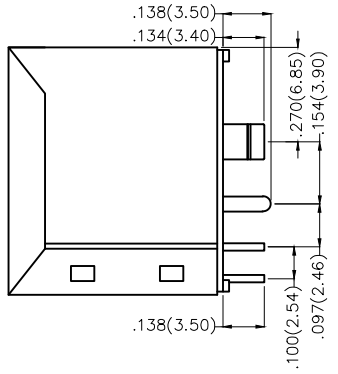
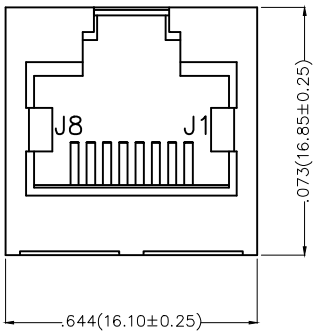
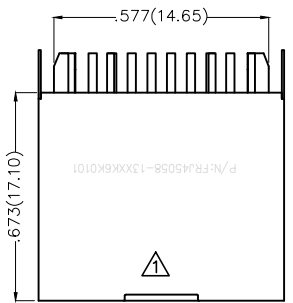
Complies With IEEE Standards And All 10/100 Ethernet Specifications Including 350uH With 8mA DC Bias

Electrical Performances
 Current Rating: 1.5A AC(rms)/DC
 Voltage Rating: 125V AC(rms)/DC
 Contact Resistance: 30 mΩ Max
 Insulation Resistance: 750 MΩ MIN
 Withstanding Voltage: 1000V AC r.m.s

Material and Plating
 Housing: Glass Filled Polyester UL 94V-0
 Contact: Phosphor Bronze/ Plated Nickel 30u Min, Gold plated
 On Content Area 6u Min
 Shell: Copper Alloy/Nickel Plated

Mechanical Performances
 Mating/Unmating Force: 30N Max
 Retention Strength: 50N For 60s±5s
 Durability: 750 Cycles Min.

Environmental Characteristics
 Temperature Range—Operating: -40°C~+85°C



Recommended P.C.Board Layout

Ordering Information

FRJ45 058 — 1 3 XX K6 K 0 1 0 1
 1 2 3 4 5 6 7 8 9

1	Category FRJ45-RJ45 Connector	2	Distinction No. 058	3	Ports options 1-1 Port	4	Plating 3-Selective gold in contact area, tin on tail		
5	Thickness of plating 00-Gold flash 03-3μ" Custom plate available	6	Color-Resin K6-Black	7	Packaging K-Tray	8	Contact type 1-Square pin	9	Pin circuits 1-100Base-T

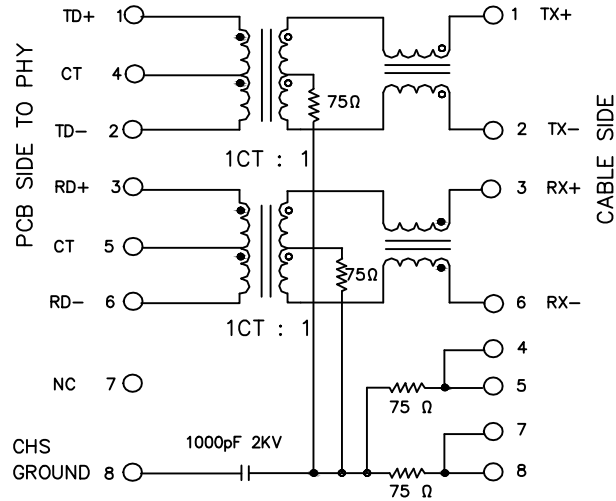


THIRD ANGLE PROJECTION	GENERAL TOLERANCES (UNLESS SPECIFIED)		APPROVE BY FRANK	DATE 1/AUG/13	PART NO. △ FRJ45058-13XXK6K0101	ITEM NO. FRJ45058		
	DESIGN UNITS Inch (metric)	X.±0.12(0.30) X.X±.008(0.20) X.XX±.006(0.15) X.XXX±.004(0.10)	X.±5' .X'±2' .XX'±1' .XXX'±0.5'	CHECKED BY CHERRY	DATE 1/AUG/13	TITLE RJ45 Connectors 8P8C 180° Vertical (100Base-T)		REV 1
SCALE 5:1	SIZE A4	DRAWN BY JACOB		DATE 1/AUG/13	THIS DRAWING CONTAINS INFORMATION THAT IS PROPRIETARY TO DONG GUAN LANG LUN(3K-KAMING) ELECTRONIC PRODUCTS CO.,LTD. AND SHOULD NOT BE USED WITHOUT WRITTEN PERMISSION			

REV	LOCATIONS	DESCRIPTION	DATE	REVISER	APPD



SCHEMATIC



1. Turns Ratio:

TX & Rx = 1:1±5%

2. Insertion Loss:

- 1~10MHz: -18dB Min
- 10~30MHz: -16dB Min
- 30~60MHz: -14dB Min
- 60~80MHz: -12dB Min
- 80~100MHz: -10dB Min

Crosstalk: 1~100MHz: -35dB Min

Common Mode Rejection: 1-100MHz: -35dB Min

3. Hipot: 1500V AC 1mA 1S

4. Capacitor: 1000PF±20% 2KV

5. Resistance of Coil: 1.80HMS Max, 0.250HMS MIN



<p>THIRD ANGLE PROJECTION</p>	GENERAL TOLERANCES (UNLESS SPECIFIED)		APPROVE BY FRANK	DATE 1/SEPT/13	PART NO. FRJ45058-13XXK6K0101	ITEM NO. FRJ45058	<p>3K-KAMING®</p>
	DESIGN UNITS Inch (metric)	X.±0.12(0.30) X.X±0.08(0.20)	X.±5° .X'±2'	CHECKED BY CHERRY	DATE 1/SEPT/13	TITLE RJ45 Connectors 8P8C 180° Vertical (100Base-T)	
SCALE 5:1	SIZE A4	X.XX±.006(0.15) X.XXX±.004(0.10)	.XX'±1° .XXX'±0.5'	DRAWN BY JACOB	DATE 1/SEPT/13	REV 1	SHEET NO. 2/2
THIS DRAWING CONTAINS INFORMATION THAT IS PROPRIETARY TO DONG GUAN LANG LUN(3K-KAMING) ELECTRONIC PRODUCTS CO.,LTD. AND SHOULD NOT BE USED WITHOUT WRITTEN PERMISSION							

REV	LOCATIONS	DESCRIPTION	DATE	REVISER	APPD
1	△	1. Add the "TXGA" logo 2. Part No.: Change FRJ4572 into FRJ45058	01/JUN/18	Vandy	Eric



SPECIFICATIONS

Complies With IEEE Standards And All 10/100 Ethernet Specifications Including 350uH With 8mA DC Bias

Electrical Performances

- Current Rating: 1.5A AC(rms)/DC
- Voltage Rating: 125V AC(rms)/DC
- Contact Resistance: 30 mΩ Max
- Insulation Resistance: 750 MΩ MIN
- Withstanding Voltage: 1000V AC r.m.s

Material and Plating

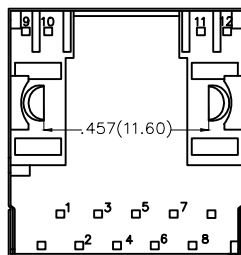
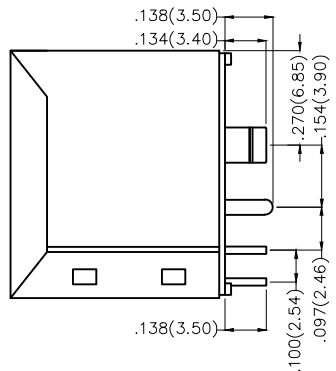
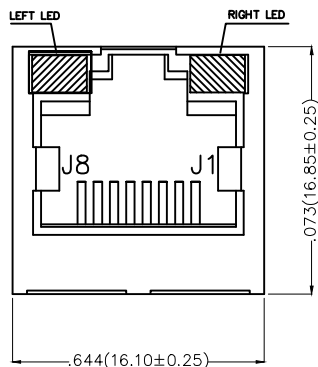
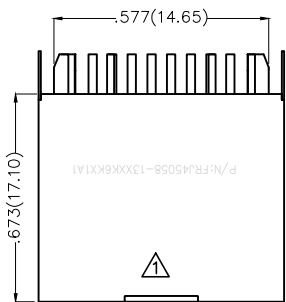
- Housing: Glass Filled Polyester UL 94V-0
- Contact: Phosphor Bronze/ Plated Nickel 30u Min, Gold plated On Contact Area 6u Min
- Shell: Copper Alloy/Nickel Plated

Mechanical Performances

- Mating/Unmating Force: 30N Max
- Retention Strength: 50N For 60s±5s
- Durability: 750 Cycles Min.

Environmental Characteristics

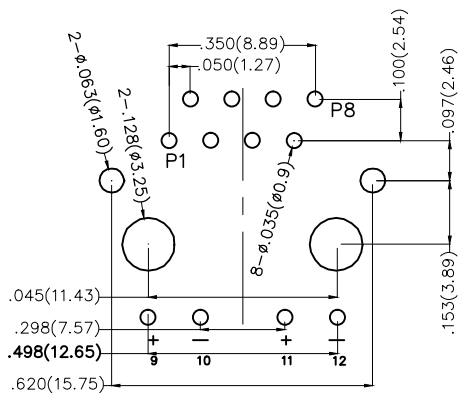
- Temperature Range-Operating: -40°C~+85°C




Ordering Information

FRJ45 058 — 1 3 XX K6 K X 1 A 1
1 2 3 4 5 6 7 8 9 10 11

1 Category FRJ45-RJ45 Connector	2 Distinction No. 058	3 Ports options 1-1 Port	4 Plating 3-Selective gold in contact area, tin on tail	5 Thickness of plating 00-Gold flash 03-3μ" Custom plate available
6 Color-Resin K6-Black	7 Packaging K-Tray	8 LED style 1-L: Yellow R: Green 2-L: Green R: Yellow	9 Contact type 1-Square pin	10 distinction type A-With LED
11 Pin circuits 1-100Base-T				



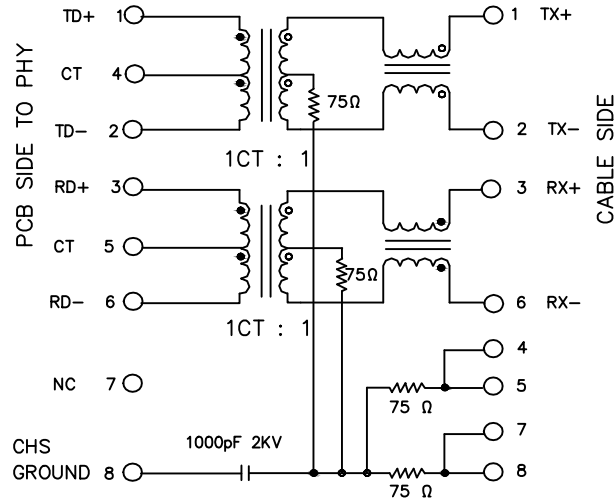
Recommended P.C.Board Layout

THIRD ANGLE PROJECTION	GENERAL TOLERANCES (UNLESS SPECIFIED)		APPROVE BY FRANK	DATE 1/AUG/13	PART NO. △ FRJ45058-13XXK6KX1A1	ITEM NO. FRJ45058	 3K-KAMING	
	X.±.012(0.30)	X.±5'	CHECKED BY CHERRY	DATE 1/AUG/13				
DESIGN UNITS Inch (metric)	X.X±.008(0.20)	.X'±2'	DRAWN BY JACOB	DATE 1/AUG/13	TITLE RJ45 Connectors 8P8C 180° Vertical (100Base-T)		REV 1	SHEET NO. 1/2
SCALE 5:1	X.XX±.006(0.15)	.XX'±1'			THIS DRAWING CONTAINS INFORMATION THAT IS PROPRIETARY TO DONG GUAN LANG LUN(3K-KAMING) ELECTRONIC PRODUCTS CO.,LTD. AND SHOULD NOT BE USED WITHOUT WRITTEN PERMISSION			
	X.XXX±.004(0.10)	.XXX'±0.5'						

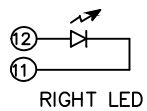
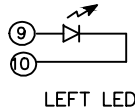
REV	LOCATIONS	DESCRIPTION	DATE	REVISER	APPD



SCHEMATIC



Electrical Specifications: (25 °C)
 RoHS Compliant (PB Free)
 Isolation: 1500Vrms (UTP Side to Chip Side)
 OCL: 350uH Minimum @100KHz 100mV with 8mA DC
 Insertion Loss: -1.0dB Maximum @300KHz ~ 100MHz
 Return Loss: -20dB Minimum @1MHz ~ 10MHz / -16dB Minimum @10MHz ~ 30MHz
 -12dB Minimum @30MHz ~ 60MHz / -10dB Minimum @60MHz ~ 80MHz
 Common Mode Rejection: -30dB Minimum @1MHz ~ 50MHz
 -20dB Minimum @50MHz ~ 150MHz
 Crosstalk: -40dB Typical @1MHz ~ 30MHz / -35dB Typical @30MHz ~ 60MHz
 -30dB Typical @60MHz ~ 100MHz



 THIRD ANGLE PROJECTION	GENERAL TOLERANCES (UNLESS SPECIFIED)		APPROVE BY	DATE	PART NO.	ITEM NO.	 3K-KAMING REV 1 SHEET NO. 2/2
	X.±0.12(0.30)	X.±5'	FRANK	1/SEPT/13	FRJ45058-13XXK6KX1A1	FRJ45058	
	X.X±.008(0.20)	.X'±2'	CHECKED BY	DATE	TITLE RJ45 Connectors 8P8C 180° Vertical (100Base-T)		
DESIGN UNITS Inch (metric)	X.XX±.006(0.15)	.XX'±1'	DRAWN BY	DATE	THIS DRAWING CONTAINS INFORMATION THAT IS PROPRIETARY TO DONG GUAN LANG LUN(3K-KAMING) ELECTRONIC PRODUCTS CO.,LTD. AND SHOULD NOT BE USED WITHOUT WRITTEN PERMISSION		
SCALE 5:1	SIZE A4	X.XXX±.004(0.10)	JACOB	1/SEPT/13			