

REV	LOCATIONS	DESCRIPTION	DATE	REVISER	APPD
1	△	1. Add the "TXGA" logo 2. Part No.: Change FRJ4580 into FRJ45057	01/JUN/18	Vandy	Eric
2	△	1. Structure change 2. Add dimensions	24/DEC/19	KATE	CHERRY



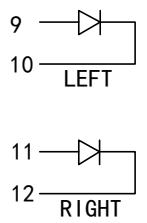
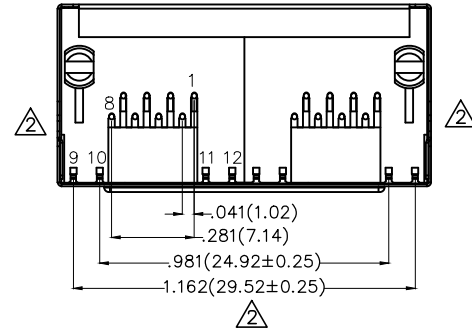
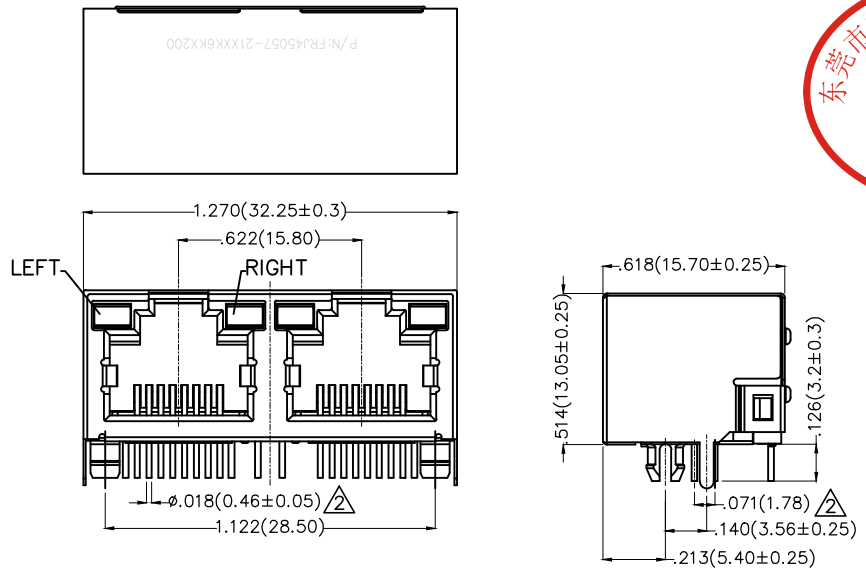
SPECIFICATIONS

Electrical Performances
 Current Rating: 1.5A AC(rms)/DC
 Voltage Rating: 125V AC(rms)/DC
 Contact Resistance: 30 mΩ Max
 Insulation Resistance: 500 MΩ MIN
 Withstanding Voltage: 1000V AC r.m.s

Material and Plating
 Housing: PBT UL 94V-0
 Contact: Phosphor Bronze/Gold Plated
 Shell: Copper Alloy/Nickel Plated

Mechanical Performances
 Mating/Unmating Force: 30N Max
 Retention Strength: 50N For 60s±5s
 Durability: 750 Cycles Min.

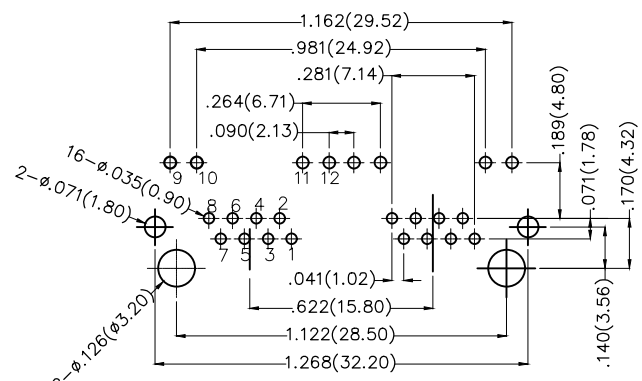
Environmental Characteristics
 Temperature Range-Operating: -40°C~+85°C



Ordering Information

FRJ45 057 - 2 1 XX K6 K X 2 0 0
 1 2 3 4 5 6 7 8 9

1 Category FRJ45-RJ45 Connector	2 Distinction No. 057	3 Ports options 2-2 Ports	4 Plating 1-Gold Plated	5 Thickness of plating 00-Gold flash 03-3μ" Custom plate available
6 Color-Resin K6-Black	7 Packaging K-Tray	8 LED style 1-L: Yellow R: Green 2-L: Green R: Yellow	9 Contact type 2-Round pin	



Recommended P.C.Board Layout

THIRD ANGLE PROJECTION	GENERAL TOLERANCES (UNLESS SPECIFIED)		APPROVE BY FRANK	DATE 1/AUG/13	PART NO. △ FRJ45057-21XXK6KX200	ITEM NO. FRJ45057	
	DESIGN UNITS Inch (metric)	X.±.012(0.30) X.X±.008(0.20) X.XX±.006(0.15) X.XXX±.004(0.10)	X.±5' .X±2' .XX±1' .XXX±0.5'	CHECKED BY CHERRY	DATE 1/AUG/13	TITLE RJ45 Connectors 8P8C 90°Angle	
SCALE 5:1	SIZE A4	DRAWN BY JACOB		DATE 1/AUG/13	THIS DRAWING CONTAINS INFORMATION THAT IS PROPRIETARY TO DONG GUAN LANG LUN(3K-KAMING) ELECTRONIC PRODUCTS CO., LTD. AND SHOULD NOT BE USED WITHOUT WRITTEN PERMISSION		