

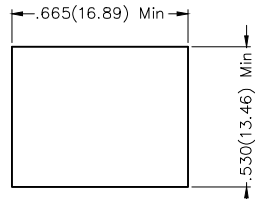
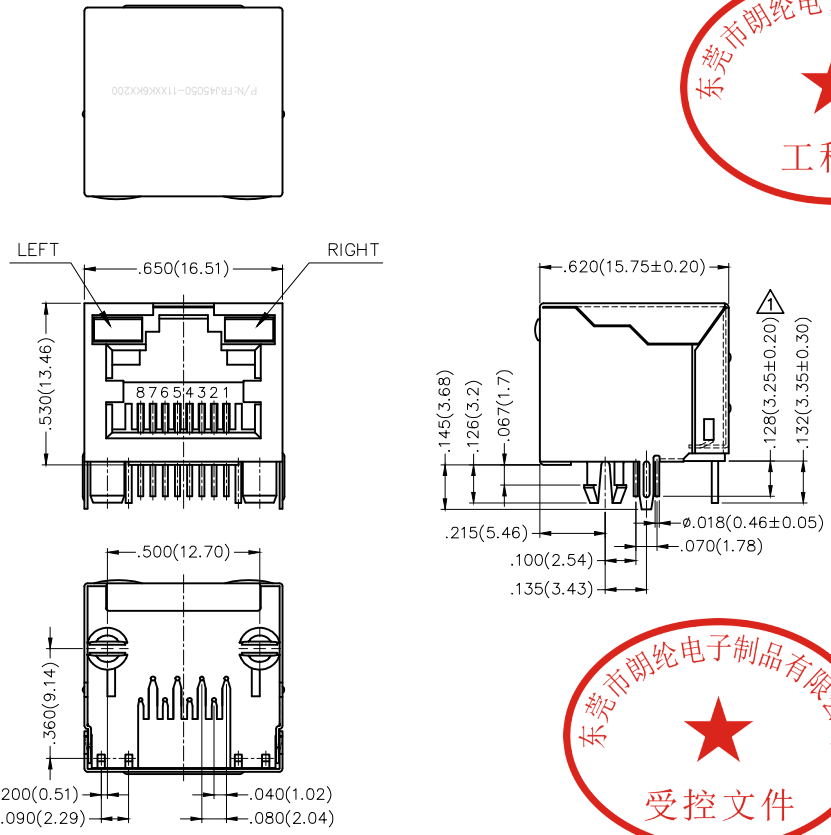
REV	LOCATIONS	DESCRIPTION	DATE	REVISER	APPD
1	△	1. Dimension: Change 2.62 into 3.25mm 2. Part No.: Change FRJ4598 into FRJ45050	01/JUN/18	Vandy	Eric



**SPECIFICATIONS**

**Electrical**  
 Current Rating: 1.5A AC(rms)/DC  
 Voltage Rating: 125V AC(rms)/DC  
 Contact Resistance: 40 mΩ Max  
 Insulation Resistance: 1000 MΩ Min / DC 500V  
 Withstanding Voltage: 1000V AC r.m.s  
 Operating Temperature: -20°C~+75°C  
 Durability: 750 Cycles Min.

**Material and Plating**  
 Housing: Thermoplastic UL94V-0, Black  
 Contact: Phosphor Bronze/ Gold Plated  
 Shell: Brass/ Nickel Plated



Circuits	Left	Circuits	Right
11	-	9	-
12	+	10	+

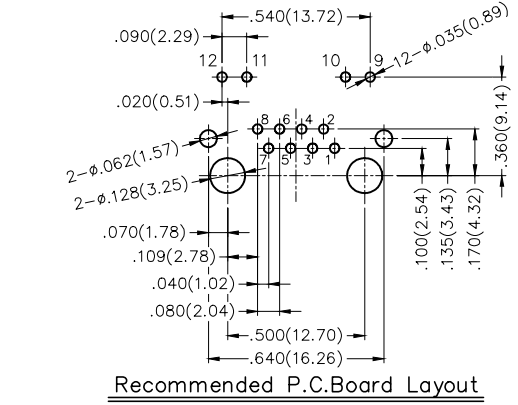
Recommended Panel Cutout



**Ordering Information**

FRJ45 050 - 1 1 XX K6 K X 2 0 0  
 1 2 3 4 5 6 7 8 9

1 Category FRJ45-RJ45 Connector	2 Distinction No. 050	3 Ports options 1-1 Port	4 Plating 1-Gold Plated	5 Thickness of plating 00-Gold flash 03-3μ" Custom plate available
6 Color-Resin K6-Black	7 Packaging K-Tray	8 LED style 1-L: Yellow R: Green 2-L: Green R: Yellow	9 Contact type 2-Round pin	



Recommended P.C. Board Layout

THIRD ANGLE PROJECTION	GENERAL TOLERANCES (UNLESS SPECIFIED)		APPROVE BY FRANK	DATE 18/JUN/13	PART NO. △ FRJ45050-11XXK6KX200	ITEM NO. FRJ45050	
	DESIGN UNITS Inch (metric)	X.±.012(0.30) X'.±5'	CHECKED BY CHERRY	DATE 18/JUN/13	TITLE RJ45 Connector 8P8C 90° Angle		
SCALE 5:1	SIZE A4	X.XX±.006(0.15) .XX'±1"	DRAWN BY KATE	DATE 18/JUN/13	THIS DRAWING CONTAINS INFORMATION THAT IS PROPRIETARY TO DONG GUAN LANG LUN(3K-KAMING) ELECTRONIC PRODUCTS CO.,LTD. AND SHOULD NOT BE USED WITHOUT WRITTEN PERMISSION		

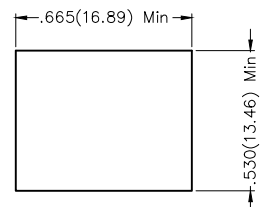
REV	LOCATIONS	DESCRIPTION	DATE	REVISER	APPD
1	△	1. Dimension: Change 2.62 into 2.90mm 2. Part No.: Change FRJ4598 into FRJ45050	01/JUN/18	Vandy	Eric



**SPECIFICATIONS**

**Electrical**  
 Current Rating: 1.5A AC(rms)/DC  
 Voltage Rating: 125V AC(rms)/DC  
 Contact Resistance: 40 mΩ Max  
 Insulation Resistance: 1000 MΩ Min / DC 500V  
 Withstanding Voltage: 1000V AC r.m.s  
 Operating Temperature: -20°C~+75°C  
 Durability: 750 Cycles Min.

**Material and Plating**  
 Housing: PBT UL94V-0, Black  
 Contact: Phosphor Bronze/ Selective gold in contact area, tin on tail  
 Shell: Brass/ Nickel Plated



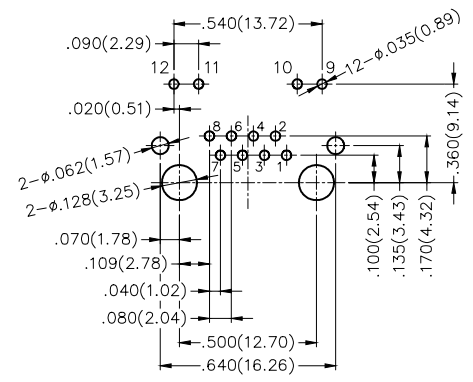
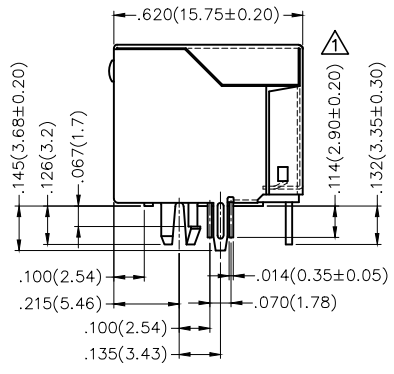
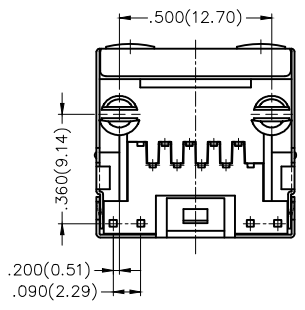
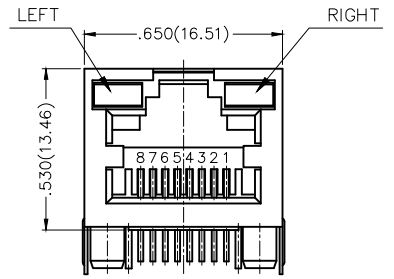
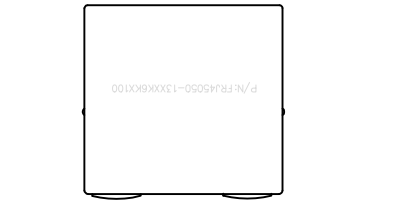
Recommended Panel Cutout

Circuits	Left	Circuits	Right
11	-	9	-
12	+	10	+

**Ordering Information**

FRJ45 050 - 1 3 XX K6 K X 1 0 0  
 1 2 3 4 5 6 7 8 9

1 Category FRJ45-RJ45 Connector	2 Distinction No. 050	3 Ports options 1-1 Port	4 Plating 3-Selective gold in contact area, tin on tail	5 Thickness of plating 00-Gold flash 06-6μ" Custom plate available
6 Color-Resin K6-Black	7 Packaging K-Tray	8 LED style 1-L: Yellow R: Green 2-L: Green R: Yellow	9 Contact type 1-Square pin	



Recommended P.C.Board Layout

THIRD ANGLE PROJECTION	GENERAL TOLERANCES (UNLESS SPECIFIED)		APPROVE BY FRANK	DATE 18/JUN/13	PART NO. △ FRJ45050-13XXK6KX100	ITEM NO. FRJ45050	
	DESIGN UNITS Inch (metric)	X.±.012(0.30) X'.±5'	CHECKED BY CHERRY	DATE 18/JUN/13	TITLE RJ45 Connector 8P8C 90° Angle		
SCALE 5:1	SIZE A4	X.XX±.006(0.15) .XX±1"	DRAWN BY KATE	DATE 18/JUN/13	THIS DRAWING CONTAINS INFORMATION THAT IS PROPRIETARY TO DONG GUAN LANG LUN(3K-KAMING) ELECTRONIC PRODUCTS CO.,LTD. AND SHOULD NOT BE USED WITHOUT WRITTEN PERMISSION		