



REV	LOCATIONS	DESCRIPTION	DATE	REVSER	APPD
1	△	1. Dimension: Change 15.80 into 16.00mm Change 16.60 into 16.30mm Change 3.20 into 3.4mm 2. Part No.: Change FRJ4549 into FRJ45049	01/JUN/18	Vandy	Eric

SPECIFICATIONS

Electrical Performances

Current Rating: 1.5A AC(rms)/DC
 Voltage Rating: 125V AC(rms)/DC
 Contact Resistance: 30 mΩ Max
 Insulation Resistance: 500 MΩ MIN
 Withstanding Voltage: 1000V AC r.m.s
 Temperature Range—Operating: -40°C~+85°C

Material and Plating

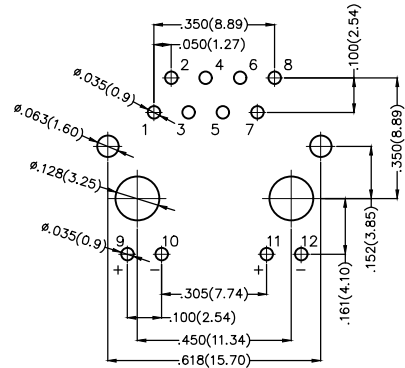
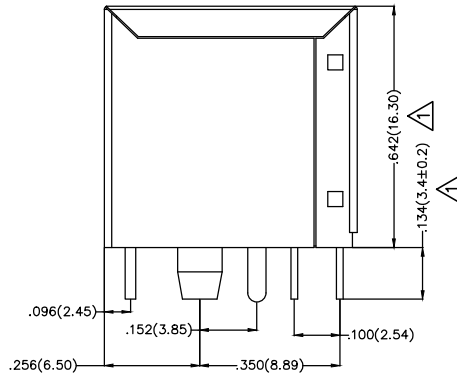
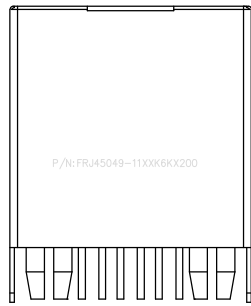
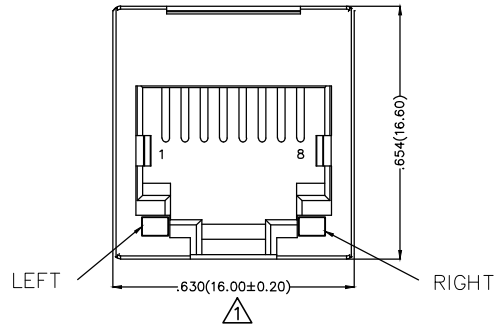
Housing: PBT UL 94V-0
 Contact: Phosphor Bronze/Gold Plated
 Shell: Copper Alloy/Nickel Plated

Mechanical Performances

Mating/Unmating Force: 30N Max
 Retention Strength: 50N For 60s±5s
 Durability: 750 Cycles Min.

Environmental Characteristics

Temperature Range—Operating: -40°C~+85°C



Recommended P.C.Board Layout



Ordering Information

FRJ45 049 - 1 1 XX K6 K X 2 0 0
 1 2 3 4 5 6 7 8 9

Category FRJ45-RJ45 Connector	2	Distinction No. 049	3	Ports options 1-1 Port	4	Plating 1-Gold Plated	5	Thickness of plating 00-Gold flash 03-3μ" Custom plate available
Color-Resin K6-Black	6	Packaging K-Tray	7	LED style 1-L: Yellow R: Green 2-L: Green R: Yellow	8	Contact type 2-Round pin	9	

THIRD ANGLE PROJECTION	GENERAL TOLERANCES (UNLESS SPECIFIED)		APPROVE BY FRANK	DATE 1/AUG/13	PART NO. △ FRJ45049-11XXK6KX200	ITEM NO. FRJ45049	
	X.±.012(0.30)	X.±5'	CHECKED BY CHERRY	DATE 1/AUG/13	TITLE RJ45 Connector 8P8C 180° Vertical	REV 1	
	DESIGN UNITS Inch (metric)	X.X±.008(0.20)	.X'±2'	DRAWN BY JACOB	DATE 1/AUG/13	THIS DRAWING CONTAINS INFORMATION THAT IS PROPRIETARY TO DONG GUAN LANG LUN(3K-KAMING) ELECTRONIC PRODUCTS CO., LTD. AND SHOULD NOT BE USED WITHOUT WRITTEN PERMISSION	