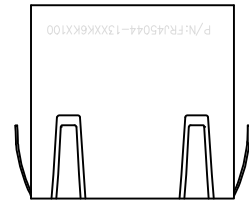


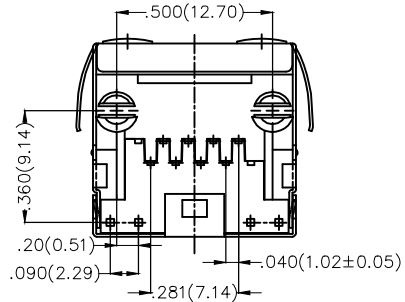
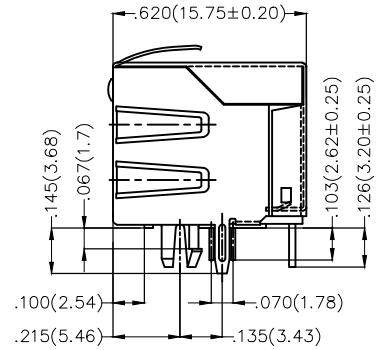
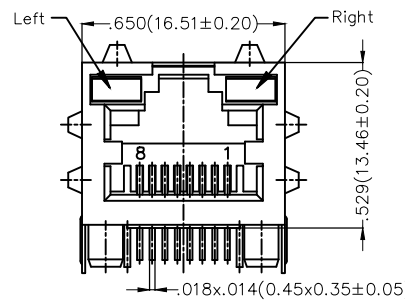
| REV | LOCATIONS | DESCRIPTION                             | DATE      | REVISER | APPD |
|-----|-----------|---|-----------|---------|------|
| 1   | △         | Part No.: Change FRJ45107 into FRJ45044 | 31/MAY/18 | KATE    | ERIC |



**SPECIFICATIONS**

**Electrical Performances**  
 Current Rating: 1.5A AC(rms)/DC  
 Voltage Rating: 125V AC(rms)/DC  
 Contact Resistance: 30 mΩ Max  
 Insulation Resistance: 500 MΩ MIN  
 Withstanding Voltage: 1000V AC r.m.s  
 Temperature Range-Operating: -40°C~+85°C

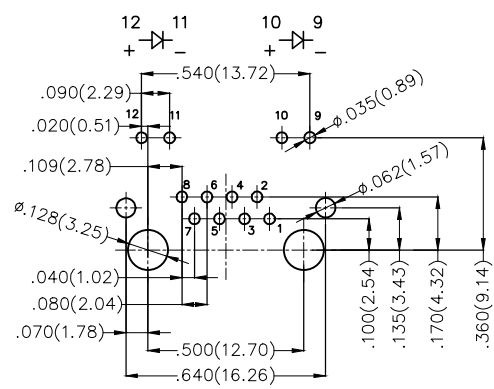
**Material and Plating**  
 Housing: Thermoplastic UL94V-0,  
 Contact: Phosphor Bronze  
 Contact Plating: Selective gold in contact area,  
 tin on tail  
 Shell: Copper Alloy/Nickel Plated



**Ordering Information**

FRJ45 044 - 1 3 XX K6 K X 1 0 0  
 1 2 3 4 5 6 7 8 9

|                                    |                          |   |  |   |
|------------------------------------|--------------------------|---|--|---|
| 1 Category<br>FRJ45-RJ45 Connector | 2 Distinction No.<br>044 | 3 Ports options<br>1-1 Port                                 | 4 Plating<br>3-Selective gold in contact area, tin on tail | 5 Thickness of plating<br>00-Gold flash<br>02-2μ"<br>Custom plate available |
| 6 Color-Resin<br>K6-Black          | 7 Packaging<br>K-Tray    | 8 LED style<br>1-L: Yellow R: Green<br>2-L: Green R: Yellow | 9 Contact type<br>1-Square pin                             |   |



Recommended P.C.Board Layout

|                        |                                       |  |                                       |                      |  |  |                     |
|------------------------|---------------------------------------|--|---------------------------------------|----------------------|--|--|---------------------|
| THIRD ANGLE PROJECTION | GENERAL TOLERANCES (UNLESS SPECIFIED) |  | APPROVE BY<br>FRANK                   | DATE<br>18/JUN/13    | PART NO. △<br>FRJ45044-13XXK6KX100   | ITEM NO.<br>FRJ45044                     |                     |
|                        | DESIGN UNITS<br>Inch (metric)         | X.±.012(0.30)<br>X.X±.008(0.20)<br>X.XX±.006(0.15)<br>X.XXX±.004(0.10) | X.±5'<br>.X±2'<br>.XX±1'<br>.XXX±0.5' | CHECKED BY<br>CHERRY | DATE<br>18/JUN/13  | TITLE<br>RJ45 Connector 8P8C<br>90°Angle |                     |
| SCALE<br>5:1           | SIZE<br>A4                            |  | DRAWN BY<br>KEVIN                     | DATE<br>18/JUN/13    | THIS DRAWING CONTAINS INFORMATION THAT IS PROPRIETARY TO DONG GUAN LANG LUN(3K-KAMING) ELECTRONIC PRODUCTS CO., LTD. AND SHOULD NOT BE USED WITHOUT WRITTEN PERMISSION |  | REV 1 SHEET NO. 1/1 |

| REV | LOCATIONS | DESCRIPTION                               | DATE      | REVISER | APPD   |
|-----|-----------|---|-----------|---------|--------|
| 1   | △         | Part No.: Change FRJ45107 into FRJ45044   | 31/MAY/18 | KATE    | ERIC   |
| 2   | △         | 1. Structure change, 2. Dimensions change | 21/APR/20 | KATE    | CHERRY |



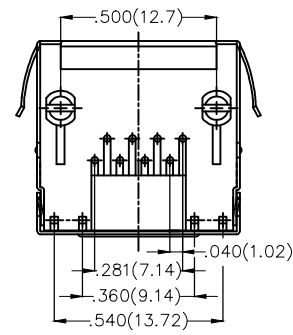
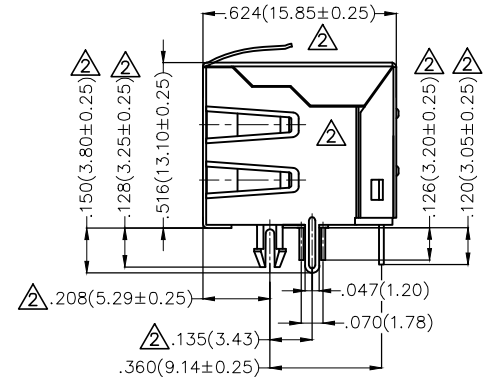
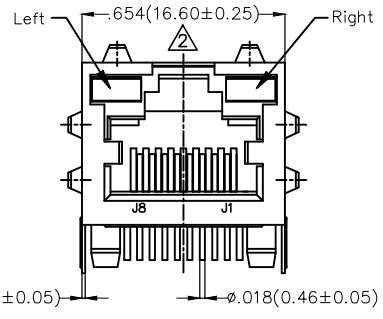
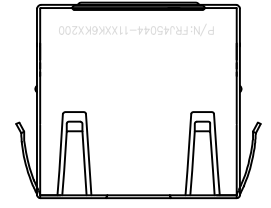
**SPECIFICATIONS**

**Electrical Performances**  
 Current Rating: 1.5A AC(rms)/DC  
 Voltage Rating: 125V AC(rms)/DC  
 Contact Resistance: 30 mΩ Max  
 Insulation Resistance: 500 MΩ MIN  
 Withstanding Voltage: 1000V AC r.m.s  
 Temperature Range—Operating: -40°C ~ +85°C

**Material and Plating**  
 Housing: PBT UL94V-0,  
 Contact: Phosphor Bronze  
 Contact Plating: Gold Plated  
 Shell: Copper Alloy/Nickel Plated

**LED Specification**

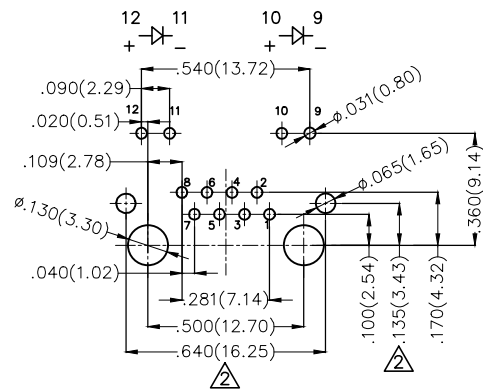
| Standard LED Color | LED Wavelength | Foward(A) | Foward(V) |
|--------------------|----------------|-----------|-----------|
| Green              | 569nm          | 20mA      | 1.6-2.6V  |
| Yellow             | 589nm          | 20mA      | 1.6-2.6V  |



**Ordering Information**

FRJ45 044 — 1 1 XX K6 K X 2 0 0  
 1 2 3 4 5 6 7 8 9

|                                    |                          |   |                               |   |
|------------------------------------|--------------------------|---|-------------------------------|---|
| 1 Category<br>FRJ45—RJ45 Connector | 2 Distinction No.<br>044 | 3 Ports options<br>1—1 Port   | 4 Plating<br>1—Gold Plated    | 5 Thickness of plating<br>00—Gold flash<br>03—3μ"<br>Custom plate available |
| 6 Color—Resin<br>K6—Black          | 7 Packaging<br>K—Tray    | 8 LED style<br>1—L: Yellow R: Green<br>2—L: Green R: Yellow<br>3—L: Green R: Green+Orange | 9 Contact type<br>2—Round pin |   |



Recommended P.C.Board Layout

|                        |                                       |  |                                       |                      |   |  |                     |
|------------------------|---------------------------------------|--|---------------------------------------|----------------------|---|--|---------------------|
| THIRD ANGLE PROJECTION | GENERAL TOLERANCES (UNLESS SPECIFIED) |  | APPROVE BY<br>FRANK                   | DATE<br>18/JUN/13    | PART NO. △<br>FRJ45044-11XXK6KX200  | ITEM NO.<br>FRJ45044                     |                     |
|                        | DESIGN UNITS<br>Inch (metric)         | X.±.012(0.30)<br>X.X±.008(0.20)<br>X.XX±.006(0.15)<br>X.XXX±.004(0.10) | X.±5°<br>X.±2°<br>X.X±1°<br>X.XX±0.5° | CHECKED BY<br>CHERRY | DATE<br>18/JUN/13   | TITLE<br>RJ45 Connector 8P8C<br>90°Angle |                     |
| SCALE<br>5:1           | SIZE<br>A4                            |  | DRAWN BY<br>KEVIN                     | DATE<br>18/JUN/13    | THIS DRAWING CONTAINS INFORMATION THAT IS PROPRIETARY TO DONG GUAN LANG LUN(3K-KAMING) ELECTRONIC PRODUCTS CO., LTD. AND SHOULD NOT BE USED WI THOUT WRITTEN PERMISSION |  | REV 2 SHEET NO. 1/1 |