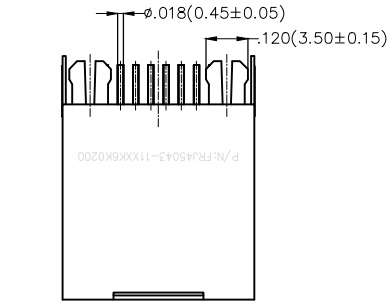


REV	LOCATIONS	DESCRIPTION	DATE	REVISOR	APPD
1	△	Part No.: Change FRJ45109 into FRJ45043	31/MAY/18	KATE	ERIC



SPECIFICATIONS

Electrical Performances

Current Rating: 1.5A AC(rms)/DC
Voltage Rating: 125V AC(rms)/DC
Contact Resistance: 30 mΩ Max
Insulation Resistance: 500 MΩ MIN
Withstanding Voltage: 1000V AC r.m.s

Material and Plating

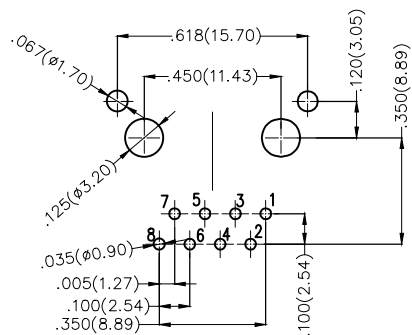
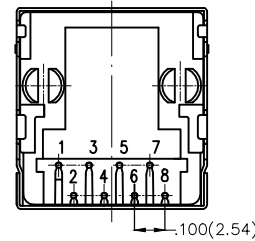
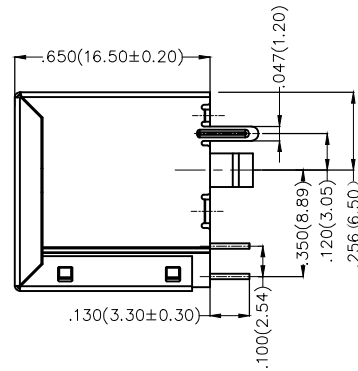
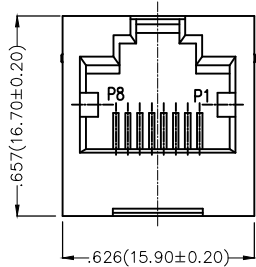
Housing: Thermoplastic UL94V-0,
Contact: Phosphor Bronze/Gold Plated
Shell: Copper Alloy/Nickel Plated

Mechanical Performances

Mating/Unmating Force: 30N Max
Retention Strength: 50N For 60s±5s
Durability: 750 Cycles Min.

Environmental Characteristics

Temperature Range-Operating: -40°C~+85°C



Recommended P.C.Board Layout



Ordering Information

FRJ45 043 - 1 1 XX K6 K 0 2 0 0
1 2 3 4 5 6 7 8

1 Category FRJ45-RJ45 Connector	2 Distinction No. 043	3 Ports options 1-1 Port	4 Plating 1-Gold Plated	5 Thickness of plating 00-Gold flash 03-3μ" Custom plate available
6 Color-Resin K6-Black	7 Packaging K-Tray	8 Contact type 2-Round pin		

 THIRD ANGLE PROJECTION	GENERAL TOLERANCES (UNLESS SPECIFIED)		APPROVE BY FRANK	DATE 27/MAY/16	PART NO. △ FRJ45043-11XXK6K0200	ITEM NO. FRJ45043	 3K-KAMING®	
	DESIGN UNITS Inch (metric)	X.±.012(0.30) .X.±.008(0.20) .X.XX±.006(0.15) .X.XXX±.004(0.10)	X'.±5" .X'±2" .XX'±1" .XXX'±0.5"	CHECKED BY KEVIN	DATE 27/MAY/16	TITLE RJ45 Connector 8P8C 180° Vertical		REV 1
SCALE 5:1	SIZE A4	DRAWN BY CHERRY		DATE 27/MAY/16	THIS DRAWING CONTAINS INFORMATION THAT IS PROPRIETARY TO DONG GUAN LANG LUN(3K-KAMING) ELECTRONIC PRODUCTS CO.,LTD. AND SHOULD NOT BE USED WITHOUT WRITTEN PERMISSION			