

Recommended P.C.Board Layout



REV	LOCATIONS	DESCRIPTION	DATE	REVISER	APPD
1	△	1. Dimension: Change 15.70 into 15.90mm 2. Part No.: Change FRJ4537 into FRJ45037	01/JUN/18	Vandy	Eric
2	△	Size change	23/MAR/20	KATE	CHERRY

SPECIFICATIONS

Complies With IEEE Standards And All 10/100 Ethernet Specifications Including 350uH With 8mA DC Bias

Electrical Performances

- Current Rating: 1.5A AC(rms)/DC
- Voltage Rating: 125V AC(rms)/DC
- Contact Resistance: 30 mΩ Max
- Insulation Resistance: 500 MΩ MIN
- Withstanding Voltage: 1000V AC r.m.s

Material and Plating

- Housing: PBT UL 94V-0
- Contact: Phosphor Bronze/ Plated Nickel 30u Min, Gold plated
- On Content Area 6u Min
- Shell: Copper Alloy/Nickel Plated

Mechanical Performances

- Mating/Unmating Force: 30N Max
- Retention Strength: 50N For 60s±5s
- Durability: 750 Cycles Min.

Environmental Characteristics

Temperature Range-Operating: -40°C~+85°C

Ordering Information

FRJ45 037 - 1 3 XX K6 K X 1 0 1
1 2 3 4 5 6 7 8 9 10

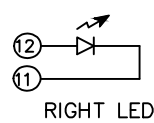
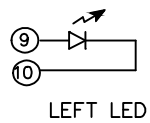
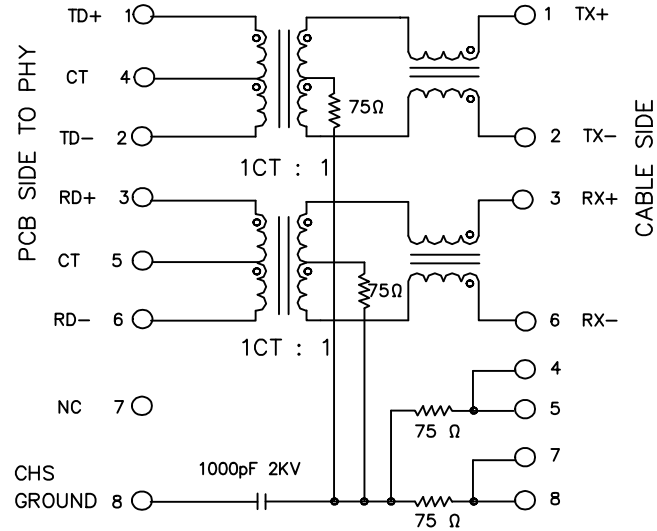
1 Category FRJ45-RJ45 Connector	2 Distinction No. 037	3 Ports options 1-1 Port	4 Plating 3-Selective gold in contact area, tin on tail	5 Thickness of plating 00-Gold flash 03-3μ" Custom plate available
6 Color-Resin K6-Black	7 Packaging K-Tray	8 LED style 1-L: Yellow R: Green 2-L: Green R: Yellow	9 Contact type 1-Square pin	10 Pin circuits 1-100Base-T

<p>THIRD ANGLE PROJECTION</p>	GENERAL TOLERANCES (UNLESS SPECIFIED)		APPROVE BY FRANK	DATE 1/AUG/13	PART NO. △ FRJ45037-13XXK6KX101	ITEM NO. FRJ45037	<p>3K-KAMING</p>
	DESIGN UNITS Inch (metric)	X.±.012(0.30) X.X±.008(0.20) X.XX±.006(0.15) X.XXX±.004(0.10)	X.±5° .X'±2° .XX'±1° .XXX'±0.5°	CHECKED BY CHERRY	DATE 1/AUG/13	TITLE RJ45 Connectors 8P8C 90°Angle(100Base-T)	
SCALE 5:1	SIZE A4		DRAWN BY JACOB	DATE 1/AUG/13	THIS DRAWING CONTAINS INFORMATION THAT IS PROPRIETARY TO DONG GUAN LANG LUN(3K-KAMING) ELECTRONIC PRODUCTS CO., LTD. AND SHOULD NOT BE USED WITHOUT WRITTEN PERMISSION		REV 2 SHEET NO. 1/2

REV	LOCATIONS	DESCRIPTION	DATE	REVISED	APPD



SCHEMATIC



Electrical Specifications: (25°C)

- Turns Ratio:
TX & Rx= 1:1±5%
- Insertion Loss:
@1~80MHz: -1.0dB Max
@ 100MHz: -1.2dB Max
- Return Loss:
@1~30MHz : -20dB Min
@ 60~80MHz : -12dB Min
- Common Mode Rejection:
@1~100MHz: -30dB Min
@200MHz: -20dB Min
- Crosstalk:
@1~100MHz : -35dB Min
- OCL: @100KHz, 0.1V
8mADC : 350uH Min
- Hi-Pot : 1200VAC, 1mA, 1Sec

 THIRD ANGLE PROJECTION	GENERAL TOLERANCES (UNLESS SPECIFIED)		APPROVE BY FRANK	DATE 1/AUG/13	PART NO. FRJ45037-13XXK6KX101	ITEM NO. FRJ45037	 3K-KAMING	
	DESIGN UNITS Inch (metric)	X.±.012(0.30)	X.±5'	CHECKED BY CHERRY	DATE 1/AUG/13	TITLE RJ45 Connectors 8P8C 90°Angle(100Base-T)		REV 2 SHEET NO. 2/2
	SCALE 5:1	SIZE A4	X.XX±.008(0.20)	.X'±2'	DRAWN BY JACOB	DATE 1/AUG/13		THIS DRAWING CONTAINS INFORMATION THAT IS PROPRIETARY TO DONG GUAN LANG LUN(3K-KAMING) ELECTRONIC PRODUCTS CO.,LTD. AND SHOULD NOT BE USED WITHOUT WRITTEN PERMISSION