

REV	LOCATIONS	DESCRIPTION	DATE	REVISER	APPD
1	△	Part No.: Change FRJ45122 into FRJ45033	31/MAY/18	KATE	ERIC

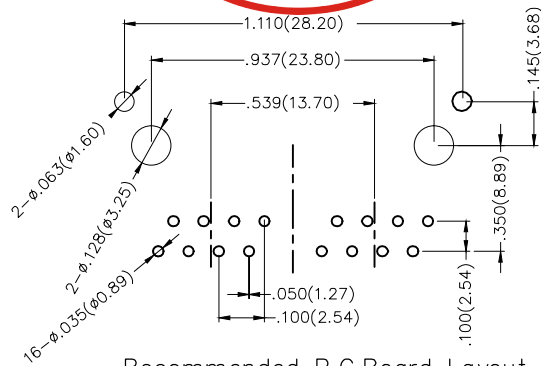
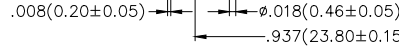
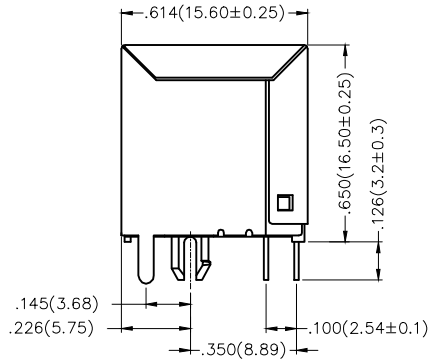
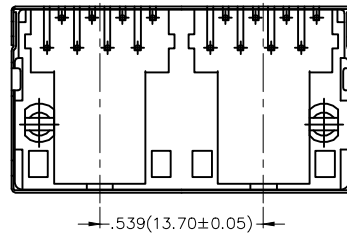
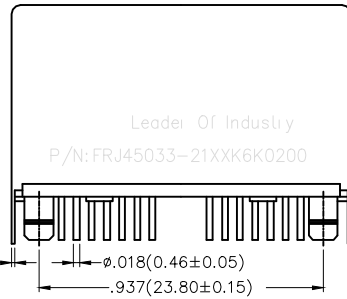
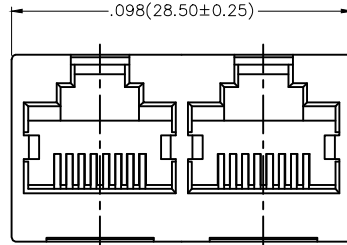
SPECIFICATIONS

Electrical

Current Rating: 1.5A AC(rms)/DC
Voltage Rating: 125V AC(rms)/DC
Contact Resistance: 30 mΩ Max
Insulation Resistance: 500 MΩ Min / DC 500V
Withstanding Voltage: 1000V AC r.m.s
Operating Temperature: -40°C~+85°C

Material and Plating

Housing: PBT (UL 94V-0), Black
Contact: Phosphor Bronze/ Gold Plated
Shell: Brass/ Nickel Plated



Recommended P.C.Board Layout

Tolerances: ±.002(±0.05)

Ordering Information

FRJ45 033 — 2 1 XX K6 K 0 2 0 0
1 2 3 4 5 6 7 8

1 Category FRJ45-RJ45 Connector	2 Distinction No. 033	3 Ports options 2-2 Ports	4 Plating 1-Gold Plated	5 Thickness of plating 00-Gold flash 03-3μ" Custom plate available
6 Color-Resin K6-Black	7 Packaging K-Tray	8 Contact type 2-Round pin		

 THIRD ANGLE PROJECTION	GENERAL TOLERANCES (UNLESS SPECIFIED)		APPROVE BY FRANK	DATE 18/JUN/13	PART NO. △ FRJ45033-21XXK6K0200	ITEM NO. FRJ45033	 3K-KAMING®
	DESIGN UNITS Inch (metric)	X.±.012(0.30) .X'±5'	X.±5'	CHECKED BY KEVIN	DATE 18/JUN/13	TITLE RJ45 Connector 8P8C 180° Vertical	
SCALE 5:1	SIZE A4	X.XX±.006(0.15) .XX±1"	DRAWN BY CHERRY	DATE 18/JUN/13	THIS DRAWING CONTAINS INFORMATION THAT IS PROPRIETARY TO DONG GUAN LANG LUN(3K-KAMING) ELECTRONIC PRODUCTS CO.,LTD. AND SHOULD NOT BE USED WITHOUT WRITTEN PERMISSION		REV 1 SHEET NO. 1/1