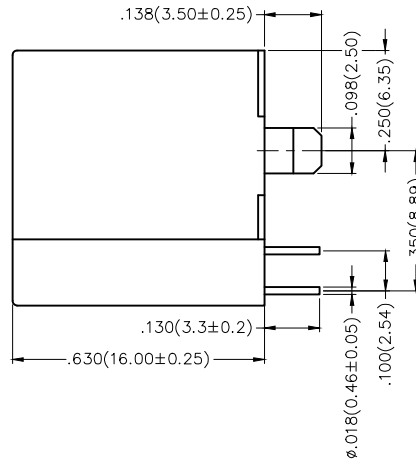
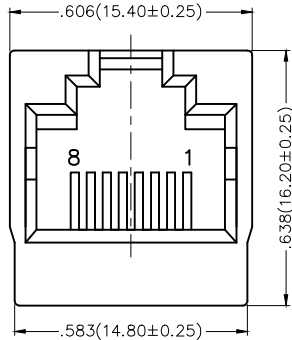


REV	LOCATIONS	DESCRIPTION	DATE	REVISER	APPD
1	△	Part No.: Change FRJ45126 into FRJ45031	31/MAY/18	KATE	ERIC



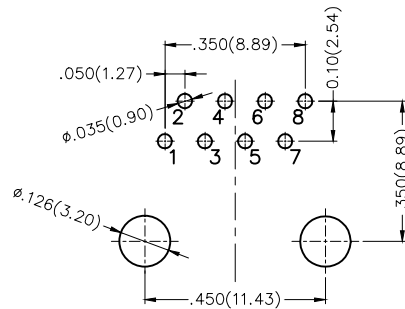
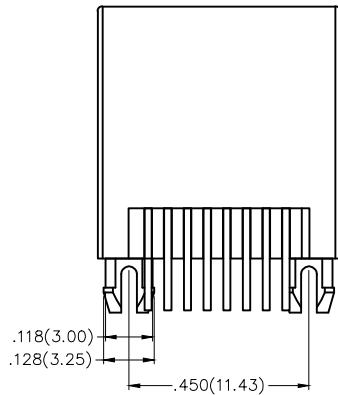
SPECIFICATIONS

Electrical Performances

Current Rating: 1.5A AC(rms)/DC
Voltage Rating: 125V AC(rms)/DC
Contact Resistance: 50 mΩ Max
Insulation Resistance: 500 MΩ Min
Withstanding Voltage: 1000V AC r.m.s
Temperature Range—Operating: -40°C~+85°C
Durability: 750 Cycles Min.

Material and Plating

Housing: Glass Filled Polyester UL 94V-0
Contact: Phosphor Bronze/ Gold Plated Over Nickel



Recommended P.C.Board Layout

TOLERANCES: ±.002(0.05)



Ordering Information

FRJ45 031 — 1 1 XX K6 K 0 2 0 0
1 2 3 4 5 6 7 8

1 Category FRJ45—RJ45 Connector	2 Distinction No. 031	3 Ports options 1—1 Port	4 Plating 1—Gold Plated	5 Thickness of plating 00—Gold flash 03—3μ" Custom plate available
6 Color—Resin K6—Black	7 Packaging K—Tray	8 Contact type 2—Round pin		

 THIRD ANGLE PROJECTION	GENERAL TOLERANCES (UNLESS SPECIFIED)		APPROVE BY FRANK	DATE 11/AUG/16	PART NO. △ FRJ45031-11XXK6K0200	ITEM NO. FRJ45031	 3K-KAMING®
	DESIGN UNITS Inch (metric)	X.±.012(0.30) .X'±5'	CHECKED BY CHERRY	DATE 11/AUG/16	TITLE RJ45 Connector 8P8C 180° Vertical		
SCALE 5:1	SIZE A4	X.XX±.006(0.15) .XX'±1"	DRAWN BY VERNON	DATE 11/AUG/16	THIS DRAWING CONTAINS INFORMATION THAT IS PROPRIETARY TO DONG GUAN LANG LUN(3K-KAMING) ELECTRONIC PRODUCTS CO.,LTD. AND SHOULD NOT BE USED WITHOUT WRITTEN PERMISSION		