

**Recommended P.C.Board Layout**  
Tolerances: ±.002(0.05)

**SPECIFICATIONS**

**Electrical**

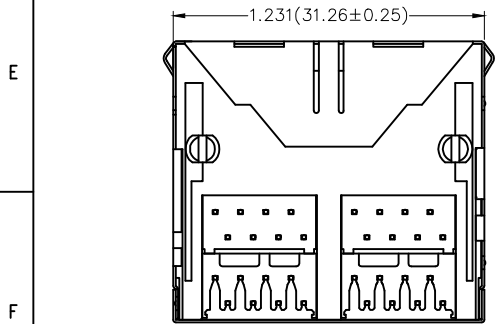
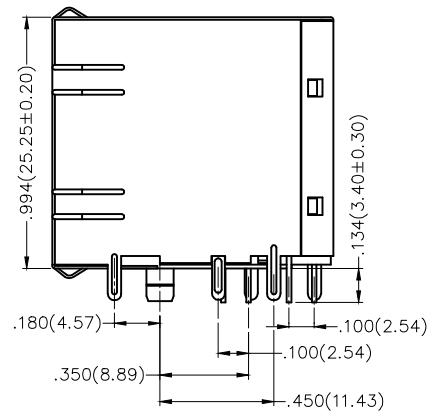
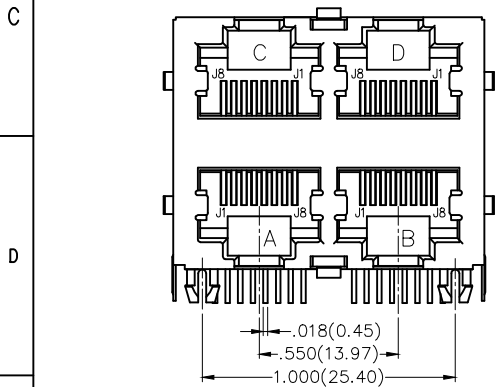
Current Rating: 1.5A AC(rms)/DC  
Voltage Rating: 125V AC(rms)/DC  
Contact Resistance: 30 mΩ Max  
Insulation Resistance: 500 MΩ Min /DC 500V  
Withstanding Voltage: 1000V AC r.m.s  
Operating Temperature: -40°C~+85°C  
Durability: 600 Cycles Min.

**Material**

Housing: Thermoplastic UL94V-0  
Contact: Phosphor Bronze  
Shell: Brass

**Plating**

Contact: Gold Plated Over Nickel  
Shell: Nickel Plated

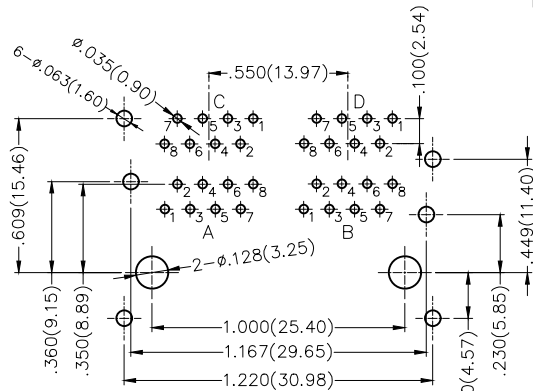
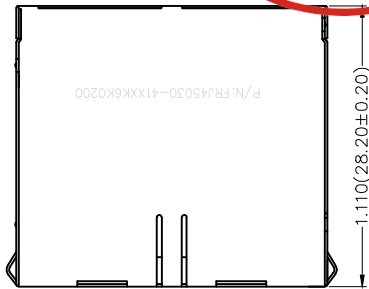


**Ordering Information**

FRJ45 030 - 4 1 XX XX K 0 2 0 0  
2 3 4 5 6 7 8

1 Category FRJ45-RJ45 Connector	2 Distinction No. 030	3 Ports options 4-4 Ports	4 Plating 1-Gold Plated
5 Thickness of plating 00-Gold flash 02-2μ" Custom plate available	6 Color-Resin U1-Blue Y1-Yellow	7 Packaging K-Tray	8 Contact type 2-Round pin

THIRD ANGLE PROJECTION	GENERAL TOLERANCES (UNLESS SPECIFIED)		APPROVE BY FRANK	DATE 26/AUG/16	PART NO. FRJ45030-41XXXXK0200	ITEM NO. FRJ45030	
	DESIGN UNITS Inch (metric)	X.±.012(0.30) X.X±.008(0.20) X.XX±.006(0.15) X.XXX±.004(0.10)	X.±5° .X'±2° .XX'±1° .XXX'±0.5°	CHECKED BY CHERRY	DATE 26/AUG/16	TITLE RJ45 Connector 8P8C 90° Angle	
SCALE 5:1	SIZE A4		DRAWN BY KATE	DATE 26/AUG/16	THIS DRAWING CONTAINS INFORMATION THAT IS PROPRIETARY TO DONG GUAN LANG LUN(3K-KAMING) ELECTRONIC PRODUCTS CO.,LTD. AND SHOULD NOT BE USED WI THOUT WRITTEN PERMISSION		REV 1 SHEET NO. 1/2



Recommended P.C.Board Layout  
Tolerances: ±.002(0.05)

SPECIFICATIONS

Electrical

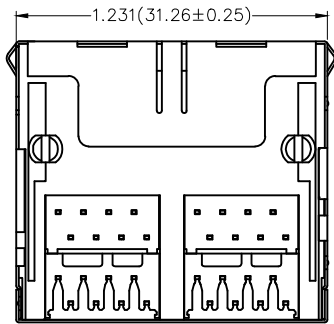
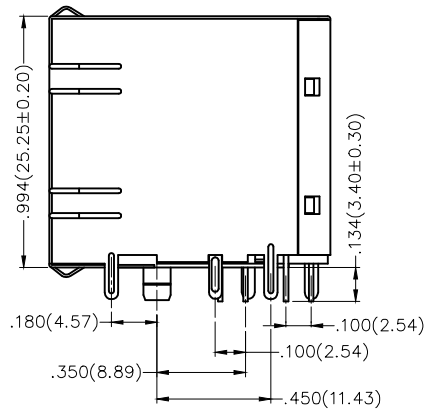
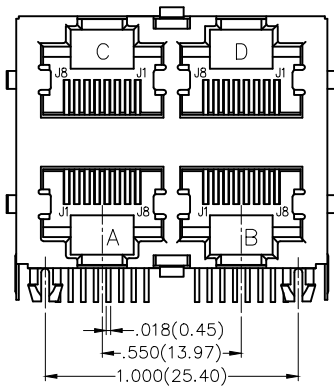
Current Rating: 1.5A AC(rms)/DC  
Voltage Rating: 125V AC(rms)/DC  
Contact Resistance: 30 mΩ Max  
Insulation Resistance: 500 MΩ Min /DC 500V  
Withstanding Voltage: 1000V AC r.m.s  
Operating Temperature: -40°C~+85°C  
Durability: 600 Cycles Min.

Material

Housing: Thermoplastic UL94V-0  
Contact: Phosphor Bronze  
Shell: Brass

Plating

Contact: Gold Plated Over Nickel  
Shell: Nickel Plated



Ordering Information

FRJ45 030 - 4 1 XX K6 K 0 2 0 0  
2 3 4 5 6 7 8

1 Category FRJ45-RJ45 Connector	2 Distinction No. 030	3 Ports options 4-4 Ports	4 Plating 1-Gold Plated
5 Thickness of plating 00-Gold flash 02-2μ" Custom plate available	6 Color-Resin K6-Black	7 Packaging K-Tray	8 Contact type 2-Round pin

THIRD ANGLE PROJECTION	GENERAL TOLERANCES (UNLESS SPECIFIED)		APPROVE BY FRANK	DATE 26/AUG/16	PART NO. FRJ45030-41XXK6K0200	ITEM NO. FRJ45030	
	DESIGN UNITS Inch (metric)	X.±.012(0.30) X.X±.008(0.20) X.XX±.006(0.15) X.XXX±.004(0.10)	X.±5° .X'±2° .XX'±1° .XXX'±0.5°	CHECKED BY CHERRY	DATE 26/AUG/16	TITLE RJ45 Connector 8P8C 90° Angle	
SCALE 5:1	SIZE A4		DRAWN BY KATE	DATE 26/AUG/16	THIS DRAWING CONTAINS INFORMATION THAT IS PROPRIETARY TO DONG GUAN LANG LUN(3K-KAMING) ELECTRONIC PRODUCTS CO.,LTD. AND SHOULD NOT BE USED WI THOUT WRITTEN PERMISSION		REV 0 SHEET NO. 2/2