

REV	LOCATIONS	DESCRIPTION	DATE	REVISER	APPD
1	△	1. Add the "TXGA" logo 2. Part No.: Change FRJ45028 into FRJ45028	31/MAY/18	Vandy	Eric



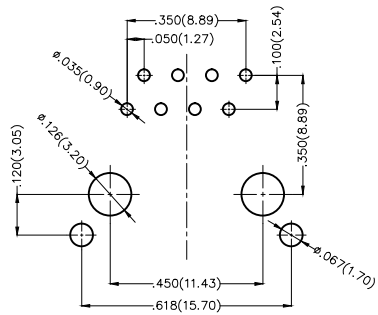
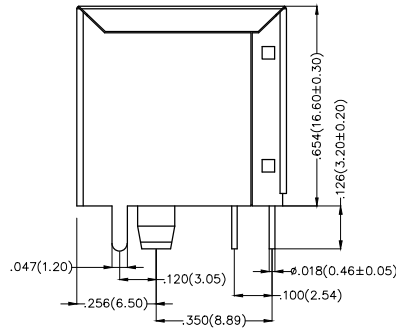
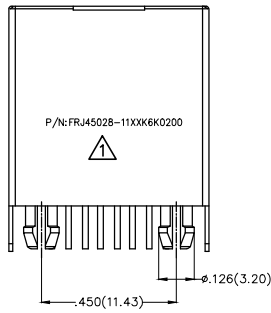
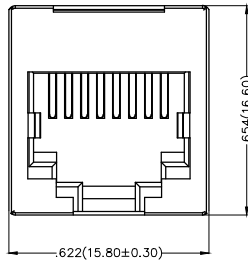
**SPECIFICATIONS**

**Electrical Performances**  
 Current Rating: 1.5A AC(rms)/DC  
 Voltage Rating: 125V AC(rms)/DC  
 Contact Resistance: 30 mΩ Max  
 Insulation Resistance: 500 MΩ MIN  
 Withstanding Voltage: 1000V AC r.m.s  
 Temperature Range—Operating: -40°C~+85°C

**Material and Plating**  
 Housing: PBT UL 94V-0  
 Contact: Phosphor Bronze/Gold Plated  
 Shell: Copper Alloy/Nickel Plated

**Mechanical Performances**  
 Mating/Unmating Force: 30N Max  
 Retention Strength: 50N For 60s±5s  
 Durability: 750 Cycles Min.

**Environmental Characteristics**  
 Temperature Range—Operating: -40°C~+85°C



Recommended P.C.Board Layout



**Ordering Information**

FRJ45 028 — 1 1 XX K6 K 0 2 0 0  
 1 2 3 4 5 6 7 8

1 Category FRJ45-RJ45 Connector	2 Distinction No. 028	3 Ports options 1-1 Port	4 Plating 1-Gold Plated
5 Thickness of plating 00-Gold flash 03-3μ" Custom plate available	6 Color-Resin K6-Black	7 Packaging K-Tray	8 Contact type 2-Round pin

 THIRD ANGLE PROJECTION DESIGN UNITS Inch (metric) SCALE 5:1 SIZE A4	GENERAL TOLERANCES (UNLESS SPECIFIED) X.±0.12(0.30) X.±5' X.X±0.008(0.20) X.±2' X.XX±0.006(0.15) .XX±1' X.XXX±0.004(0.10) .XXX±0.5'		APPROVE BY FRANK CHECKED BY CHERRY DRAWN BY JACOB	DATE 1/AUG/13 DATE 1/AUG/13 DATE 1/AUG/13	PART NO. △ FRJ45028-11XXK6K0200 ITEM NO. FRJ45028	 3K-KAMING® REV 1 SHEET NO. 1/1	
	TITLE RJ45 Connector 8P8C 180° Vertical				THIS DRAWING CONTAINS INFORMATION THAT IS PROPRIETARY TO DONG GUAN LANG LUN(3K-KAMING) ELECTRONIC PRODUCTS CO.,LTD. AND SHOULD NOT BE USED WITHOUT WRITTEN PERMISSION		

REV	LOCATIONS	DESCRIPTION	DATE	REVISER	APPD
1	△	1. Add the "TXGA" logo 2. Part No.: Change FRJ45028 into FRJ45028	31/MAY/18	Vandy	Eric

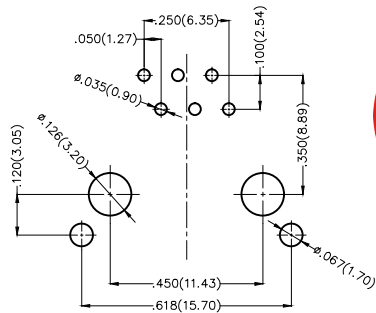
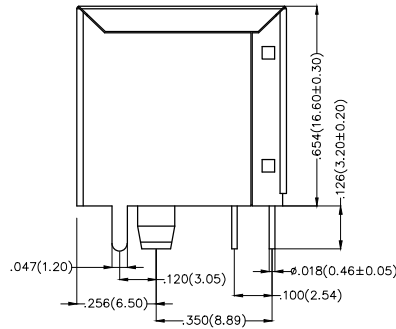
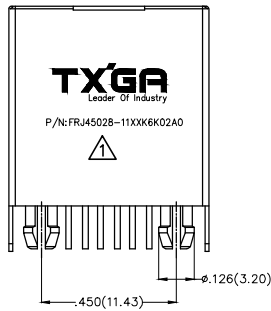
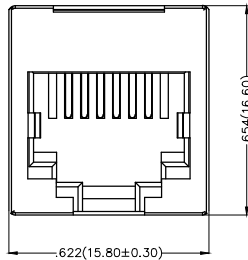
**SPECIFICATIONS**

**Electrical Performances**  
 Current Rating: 1.5A AC(rms)/DC  
 Voltage Rating: 125V AC(rms)/DC  
 Contact Resistance: 30 mΩ Max  
 Insulation Resistance: 500 MΩ MIN  
 Withstanding Voltage: 1000V AC r.m.s  
 Temperature Range—Operating: -40°C~+85°C

**Material and Plating**  
 Housing: PBT UL 94V-0  
 Contact: Phosphor Bronze/Gold Plated  
 Shell: Copper Alloy/Nickel Plated

**Mechanical Performances**  
 Mating/Unmating Force: 30N Max  
 Retention Strength: 50N For 60s±5s  
 Durability: 750 Cycles Min.

**Environmental Characteristics**  
 Temperature Range—Operating: -40°C~+85°C



Recommended P.C.Board Layout



**Ordering Information**

FRJ45 028 — 1 1 XX K6 K 0 2 A 0  
 1 2 3 4 5 6 7 8 9

1 Category FRJ45-RJ45 Connector	2 Distinction No. 028	3 Ports options 1-1 Port	4 Plating 1-Gold Plated
5 Thickness of plating 00-Gold flash 03-3μ" Custom plate available	6 Color-Resin K6-Black	7 Packaging K-Tray	8 Contact type 2-Round pin
		9 distinction type A-A type	

THIRD ANGLE PROJECTION	GENERAL TOLERANCES (UNLESS SPECIFIED)		APPROVE BY FRANK	DATE 1/AUG/13	PART NO. △ FRJ45028-11XXK6K02A0	ITEM NO. FRJ45028	
	DESIGN UNITS Inch (metric)	X.±.012(0.30) X.X±.008(0.20) X.XX±.006(0.15) X.XXX±.004(0.10)	X.±5° .X'±2° .XX'±1° .XXX'±0.5°	CHECKED BY CHERRY	DATE 1/AUG/13	TITLE RJ45 Connector 6P6C 180° Vertical	
SCALE 5:1	SIZE A4	DRAWN BY JACOB		DATE 1/AUG/13	THIS DRAWING CONTAINS INFORMATION THAT IS PROPRIETARY TO DONG GUAN LANG LUN(3K-KAMING) ELECTRONIC PRODUCTS CO.,LTD. AND SHOULD NOT BE USED WITHOUT WRITTEN PERMISSION		