

REV	LOCATIONS	DESCRIPTION	DATE	REVISER	APPD
1	△	1. Add the "TXGA" logo 2. Part No.: Change FRJ45140 into FRJ45020	31/MAY/18	KATE	ERIC



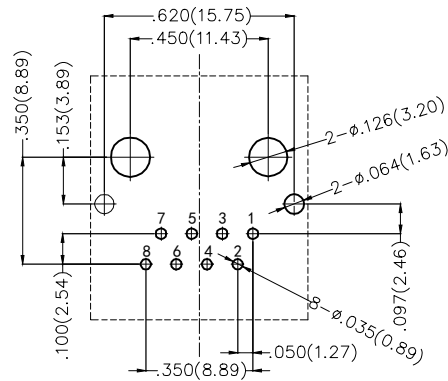
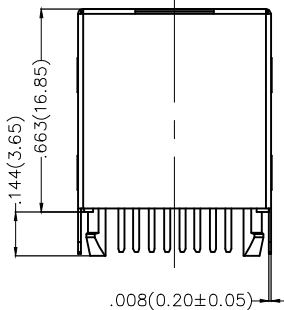
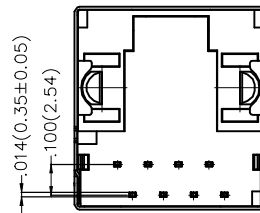
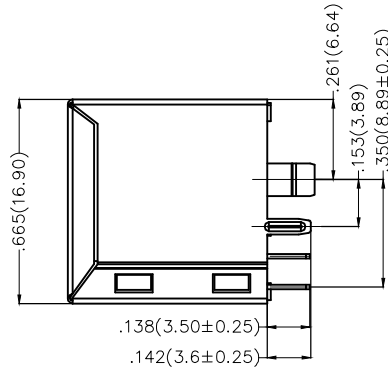
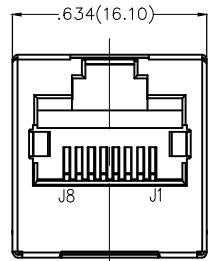
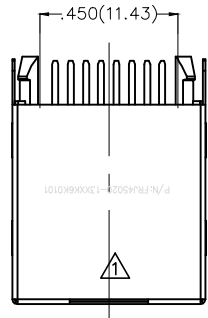
SPECIFICATIONS

Electrical

Current Rating: 1.0A AC(rms)/DC
Voltage Rating: 30V AC(rms)/DC
Contact Resistance: 50 mΩ Max
Insulation Resistance: 500 MΩ Min / DC 500V
Withstanding Voltage: 1500V AC r.m.s
Operating Temperature: -40°C~+85°C

Material and Plating

Housing: PBT (UL 94V-0) Black
Contact: Phosphor Bronze/Selective gold in contact area, tin on tail
Shell: Brass/ Nickel Plated



Recommended P.C.Board Layout

Ordering Information

FRJ45 020 - 1 3 XX K6 K 0 1 0 1
1 2 3 4 5 6 7 8 9

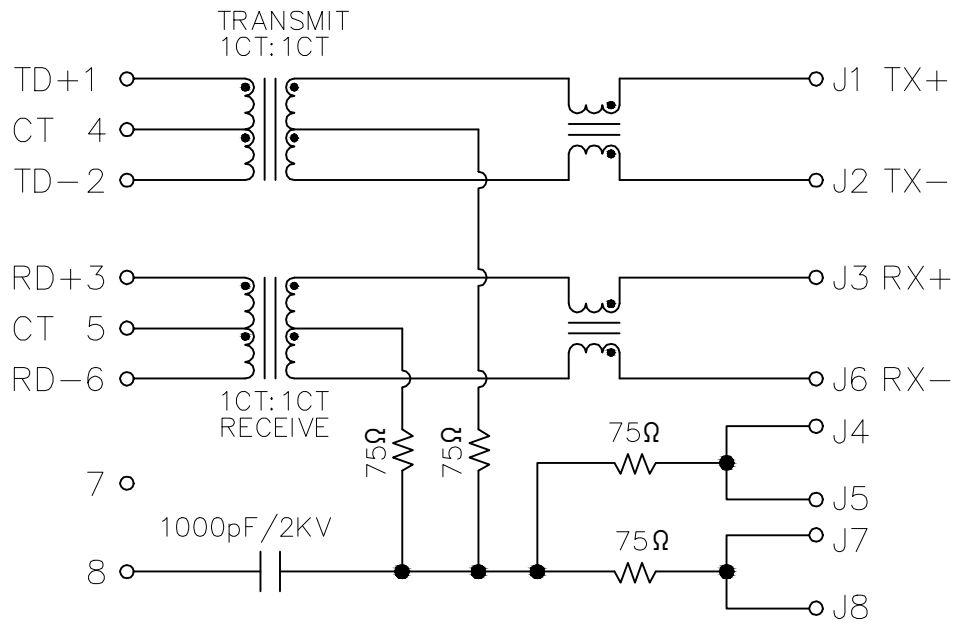
1 Category FRJ45-RJ45 Connector	2 Distinction No. 020	3 Ports options 1-1 Port	4 Plating 3-Selective gold in contact area, tin on tail
5 Thickness of plating 00-Gold flash 03-3μ" Custom plate available	6 Color-Resin K6-Black	7 Packaging K-Tray	8 Contact type 1-Square pin
			9 Pin circuits 1-100Base-T



THIRD ANGLE PROJECTION	GENERAL TOLERANCES (UNLESS SPECIFIED)		APPROVE BY FRANK	DATE 29/JUN/17	PART NO. △ FRJ45020-13XXK6K0101	ITEM NO. FRJ45020	
	DESIGN UNITS Inch (metric)	X.±.012(0.30) X.X±.008(0.20) X.XX±.006(0.15) X.XXX±.004(0.10)	X.±5" .X±2" .XX±1" .XXX±0.5"	CHECKED BY CHERRY	DATE 29/JUN/17	TITLE RJ45 Connector 8P8C 180°Vertical(100Base-T)	
SCALE 5:1	SIZE A4		DRAWN BY LXF	DATE 29/JUN/17	THIS DRAWING CONTAINS INFORMATION THAT IS PROPRIETARY TO DONG GUAN LANG LUN(3K-KAMING) ELECTRONIC PRODUCTS CO.,LTD. AND SHOULD NOT BE USED WITHOUT WRITTEN PERMISSION		

1 2 3 4 5 6 7 8

REV	LOCATIONS	DESCRIPTION	DATE	REVISER	APPD



Electrical Specifications@25°C						
Turns Ratio(±2%)		OCL(μH Min) @100KHz/0.1V		Insertion Loss (dB Max)		HI-Pot (Vrms)
TX	RX	With 8mA DC Bias		1-100MHz		
1CT:1CT	1CT:1CT	350		-1.0		1500
Retrun Loss (dB Min)			Cross talk (dB Min)			CMR (dB Min)
1-30MHz	30-60MHz	60-80MHz	1-30MHz	30-60MHz	60-100MHz	1-100MHz
-16	-14	-10	-40	-35	-30	-35



 THIRD ANGLE PROJECTION DESIGN UNITS Inch (metric) SCALE 5:1 SIZE A4	GENERAL TOLERANCES (UNLESS SPECIFIED)		APPROVE BY FRANK	DATE 29/JUN/17	PART NO. FRJ45020-13XXK6K0101	ITEM NO. FRJ45020	 3K-KAMING REV 1 SHEET NO. 2/2 THIS DRAWING CONTAINS INFORMATION THAT IS PROPRIETARY TO DONG GUAN LANG LUN(3K-KAMING) ELECTRONIC PRODUCTS CO., LTD. AND SHOULD NOT BE USED WITHOUT WRITTEN PERMISSION
	X.±.012(0.30)	X.±5'	CHECKED BY CHERRY	DATE 29/JUN/17	TITLE RJ45 Connector 8P8C 180°Vertical(100Base-T)		
	X.X±.008(0.20)	.X'±2'	DRAWN BY LXF	DATE 29/JUN/17			
	X.XX±.006(0.15)	.XX'±1'					
X.XXX±.004(0.10)		.XXX±0.5'					

1 2 3 4 5 6 7 8