

REV	LOCATIONS	DESCRIPTION	DATE	REVISER	APPD
1	△	Part No.: Change FRJ45145 into FRJ45015	31/MAY/18	KATE	ERIC

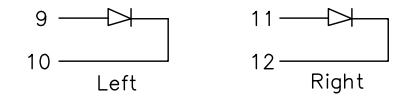
SPECIFICATIONS

Electrical
 Current Rating: 1.5A AC(rms)/DC
 Voltage Rating: 125V AC(rms)/DC
 Contact Resistance: 20 mΩ Max
 Insulation Resistance: 500 MΩ Min / DC 500V
 Withstanding Voltage: 500V AC r.m.s
 Operating Temperature: -40°C~+85°C
 Durability: 750 Cycles Min
 Mating Force: 30N Max

Material and Plating
 Housing: PBT (UL 94V-0) Black
 Contact: Phosphor Bronze/ Selective gold in contact area, tin on tail
 Shell: Brass/Nickel Plated

SpecificationLED

Standard LED Color	LED Wavelength	Forward(V MAX)	Typical(V TYP)	Luminous Intensity
Green	560-580nm	2.5V	2.1-2.2V	9-25 MCD
Yellow	580-610nm	2.5V	2.1-2.2V	9-25 MCD

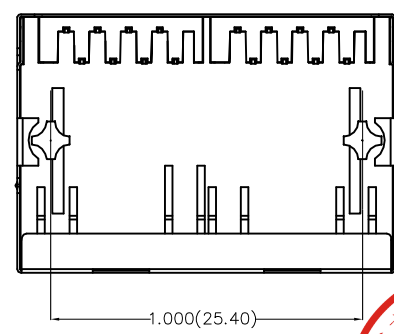
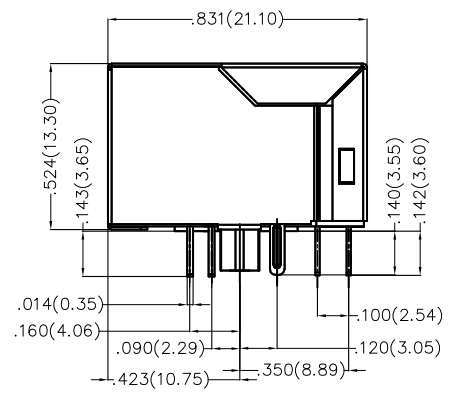
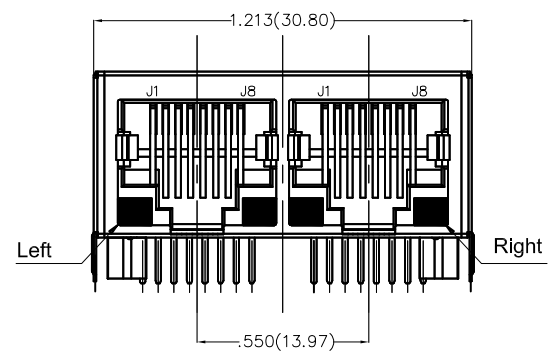
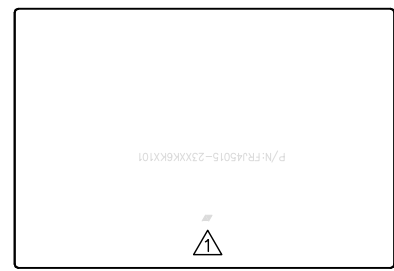


Ordering Information

FRJ45 015 - 2 3 XX K6 K X 1 0 1
 1 2 3 4 5 6 7 8 9 10

1 Category FRJ45-RJ45 Connector	2 Distinction No. 015	3 Ports options 2-2 Ports	4 Plating 3-Selective gold in contact area, tin on tail	5 Thickness of plating 00-Gold flash 03-3μ" Custom plate available
6 Color-Resin K6-Black	7 Packaging K-Tray	8 LED style 1-L: Yellow R: Green 2-L: Green R: Yellow	9 Contact type 1-Square pin	10 Pin circuits 1-100Base-T

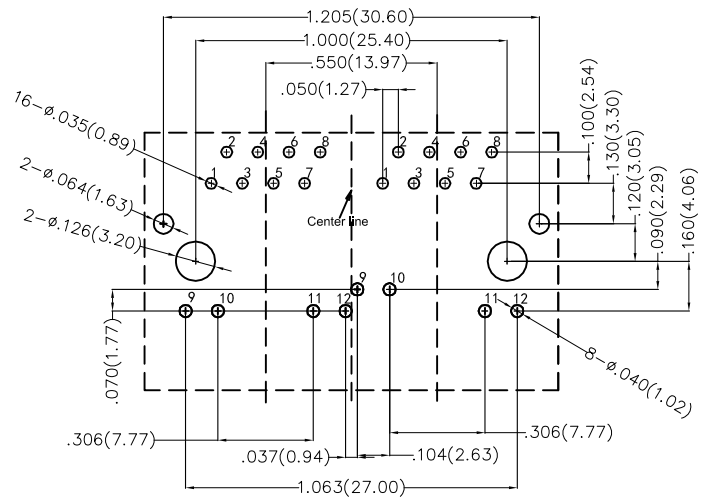
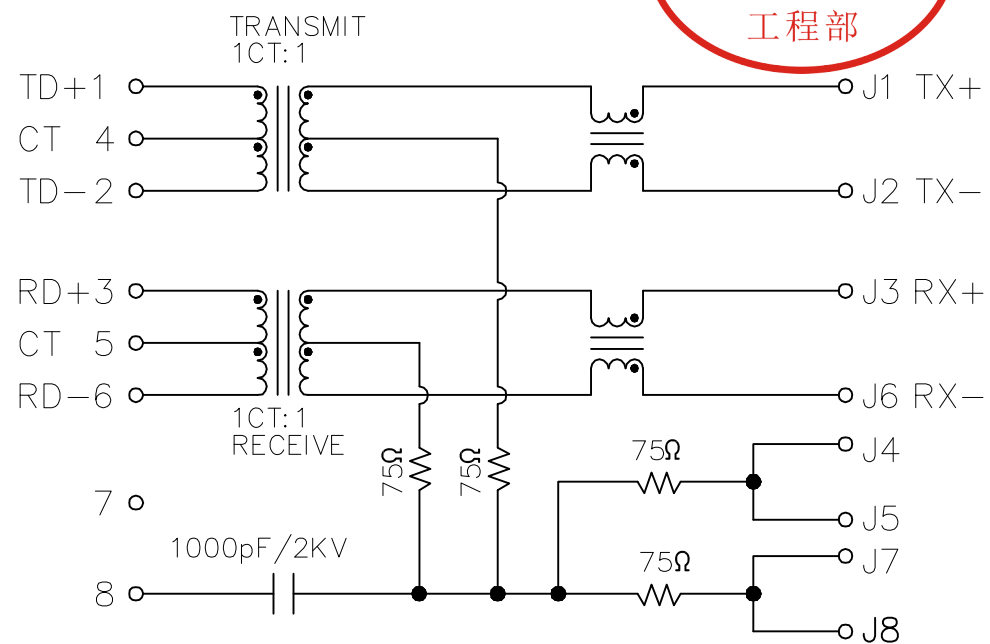
 THIRD ANGLE PROJECTION DESIGN UNITS Inch (metric) SCALE 5:1 SIZE A4	GENERAL TOLERANCES (UNLESS SPECIFIED)		APPROVE BY VERNON	DATE 07/AUG/17	PART NO. △ FRJ45015-23XXK6KX101	ITEM NO. FRJ45015	 3K-KAMING REV 1 SHEET NO. 1/2
	X.±.010(0.25)	X.±3'	CHECKED BY KATE	DATE 07/AUG/17	TITLE RJ45 Connector 8P8C 90°Angle(100Base-T)		
	X.XX±.008(0.20)	.X'±2'	DRAWN BY LXF	DATE 07/AUG/17	THIS DRAWING CONTAINS INFORMATION THAT IS PROPRIETARY TO DONG GUAN LANG LUN(3K-KAMING) ELECTRONIC PRODUCTS CO.,LTD. AND SHOULD NOT BE USED WITHOUT WRITTEN PERMISSION		
	X.XX±.004(0.10)	.XX'±1.5'					
	X.XXX±.002(0.05)	.XXX'±1.0'					



REV	LOCATIONS	DESCRIPTION	DATE	REVISER	APPD



Electrical Specifications@25°C±5°C						
Turns Ratio(±2%)		OCL(uH Min) @100KHz/0.1V		Insertion Loss (dB Max)		HI-Pot (Vrms)
TX	RX	With 8mA DC Bias		1-100MHz		1500
1CT:1CT	1CT:1CT	350		-1.0		
Retrun Loss (dB Min)			Cross talk (dB Min)			CMR (dB Min)
1-30MHz	30-60MHz	60-80MHz	1-30MHz	30-60MHz	60-100MHz	1-100MHz
-16	-14	-10	-40	-35	-30	-35



Recommended P.C.Board Layout



 THIRD ANGLE PROJECTION	GENERAL TOLERANCES (UNLESS SPECIFIED)		APPROVE BY VERNON	DATE 07/AUG/17	PART NO. FRJ45015-23XXK6KX101	ITEM NO. FRJ45015	 3K-KAMING	
	X.±.010(0.25)	X.'±3'	CHECKED BY KATE	DATE 07/AUG/17	TITLE RJ45 Connector 8P8C 90°Angle(100Base-T)			
	DESIGN UNITS Inch (metric)	X.XX±.008(0.20)	X.'±2'	DRAWN BY LXF	DATE 07/AUG/17	THIS DRAWING CONTAINS INFORMATION THAT IS PROPRIETARY TO DONG GUAN LANG LUN(3K-KAMING) ELECTRONIC PRODUCTS CO., LTD. AND SHOULD NOT BE USED WITHOUT WRITTEN PERMISSION		
	SCALE 5:1	SIZE A4	X.XX±.004(0.10)	X.'±1.5'	X.XXX±.002(0.05)	X.'XX±1.0'		REV 1