

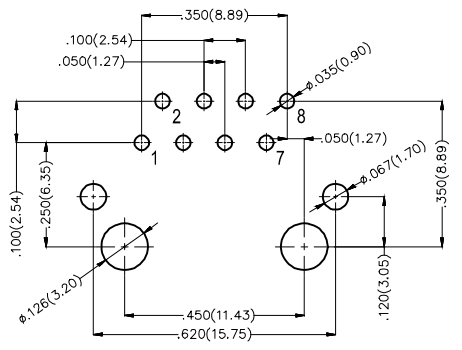
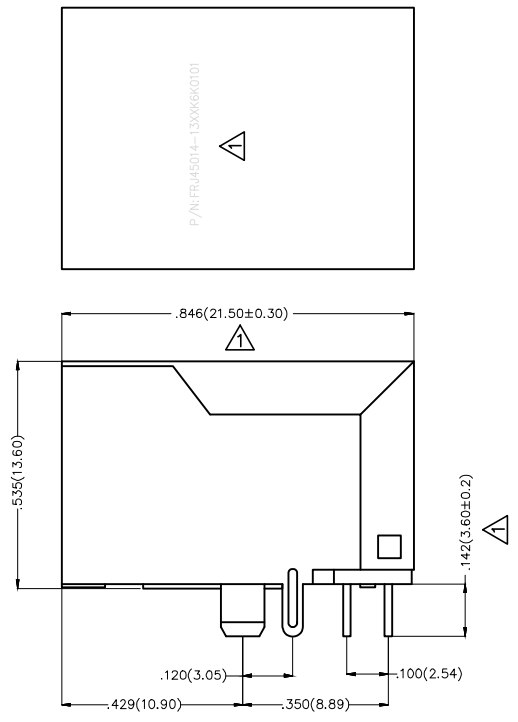
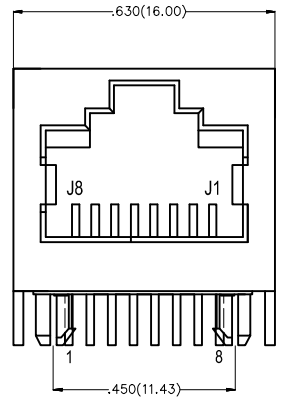


REV	LOCATIONS	DESCRIPTION	DATE	REVISER	APPD
1	△	1. Add the "TXGA" logo 2. Size Changes 3. Part No.: Change FRJ45146 into FRJ45014	31/MAY/18	KATE	ERIC

SPECIFICATIONS

Electrical  
 Current Rating: 1.5A AC(rms)/DC  
 Voltage Rating: 125V AC(rms)/DC  
 Contact Resistance: 30 mΩ Max  
 Insulation Resistance: 500 MΩ Min / DC 500V  
 Withstanding Voltage: 1000V AC r.m.s  
 Operating Temperature: -0°C~+70°C

Material and Plating  
 Housing: PBT (UL 94V-0) Black  
 Contact: Phosphor Bronze/ Selective gold in contact area, tin on tail  
 Shell: Brass/Nickel Plated



Recommended P.C.Board Layout



Ordering Information

FRJ45 014 - 1 3 XX K6 K 0 1 0 1  
 1 2 3 4 5 6 7 8 9

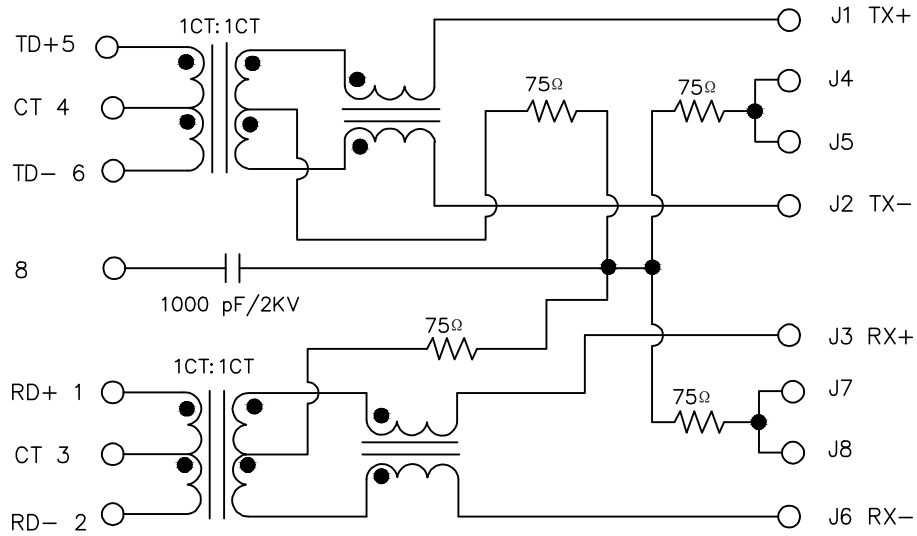
1 Category FRJ45-RJ45 Connector	2 Distinction No. 014	3 Ports options 1-1 Port	4 Plating 3-Selective gold in contact area, tin on tail
5 Thickness of plating 00-Gold flash 03-3μ" Custom plate available	6 Color-Resin K6-Black	7 Packaging K-Tray	8 Contact type 1-Square pin
			9 Pin circuits 1-100Base-T

 THIRD ANGLE PROJECTION	GENERAL TOLERANCES (UNLESS SPECIFIED)		APPROVE BY VERNON	DATE 21/AUG/17	PART NO. △ FRJ45014-13XXK6K0101	ITEM NO. FRJ45014	 3K-KAMING		
	DESIGN UNITS Inch (metric)	X.±.020(0.50) X.X±.008(0.20) X.XX±.004(0.10) X.XXX±.002(0.05)	X'±5" .X'±2" .XX'±1" .XXX'±0.5"	CHECKED BY KATE	DATE 21/AUG/17	TITLE RJ45 Connector 8P8C 90°Angle(100Base-T)		REV 1	SHEET NO. 1/2
	SCALE 5:1	SIZE A4		DRAWN BY LXF	DATE 21/AUG/17	THIS DRAWING CONTAINS INFORMATION THAT IS PROPRIETARY TO DONG GUAN LANG LUN(3K-KAMING) ELECTRONIC PRODUCTS CO.,LTD. AND SHOULD NOT BE USED WITHOUT WRITTEN PERMISSION			

REV	LOCATIONS	DESCRIPTION	DATE	REVISED	APPD



Electrical Specifications@25°C±5°C					
Turns Ratio(±3%)		OCL(uH Min) @100KHz/0.1V	Insertion Loss (dB Max)	HI-Pot (Vrms)	
TX	RX	With 8mA DC Bias	0.5-100MHz	1500	
1CT:1CT	1CT:1CT	350	-1.1	1500	
Retrun Loss (dB Min)		Cross talk (dB Min)		CMR (dB Min)	
0.5-30MHz	30.1-60MHz	60.1-80MHz	0.5-40MHz	40.1-100MHz	0.5-100MHz
-18	-18~-20 LOG(f/30)	-12	-35	-33~-20LOG(f/50)	-30



<p>THIRD ANGLE PROJECTION</p>	GENERAL TOLERANCES (UNLESS SPECIFIED)		APPROVE BY VERNON	DATE 21/AUG/17	PART NO. FRJ45014-13XXK6K0101	ITEM NO. FRJ45014	<p>3K-KAMING</p>		
	DESIGN UNITS Inch (metric)	X.±.020(0.50)	X.±5'	CHECKED BY KATE	DATE 21/AUG/17	TITLE RJ45 Connector 8P8C 90°Angle(100Base-T)		REV 1	SHEET NO. 2/2
	SCALE	X.XX±.008(0.20)	.X'±2'	DRAWN BY LXF	DATE 21/AUG/17	THIS DRAWING CONTAINS INFORMATION THAT IS PROPRIETARY TO DONG GUAN LANG LUN(3K-KAMING) ELECTRONIC PRODUCTS CO.,LTD. AND SHOULD NOT BE USED WITHOUT WRITTEN PERMISSION			
	SIZE A4	X.XX±.004(0.10)	.XX'±1'						