

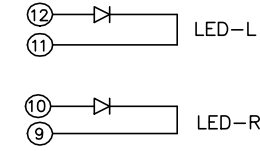
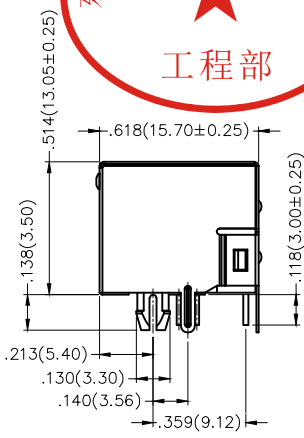
| REV | LOCATIONS | DESCRIPTION | DATE | REVISER | APPD |
|-----|-----------|--|-----------|---------|------|
| 1 | △ | 1. Add the "TXGA" logo 2. Part No.: Change FRJ45150 into FRJ45011 | 31/MAY/18 | KATE | ERIC |



SPECIFICATIONS

Electrical
 Current Rating: 1.5A AC(rms)/DC
 Voltage Rating: 125V AC(rms)/DC
 Contact Resistance: 50 mΩ Max
 Insulation Resistance: 500 MΩ Min / DC 500V
 Withstanding Voltage: 1000V AC r.m.s
 Operating Temperature: -0°C~+70°C

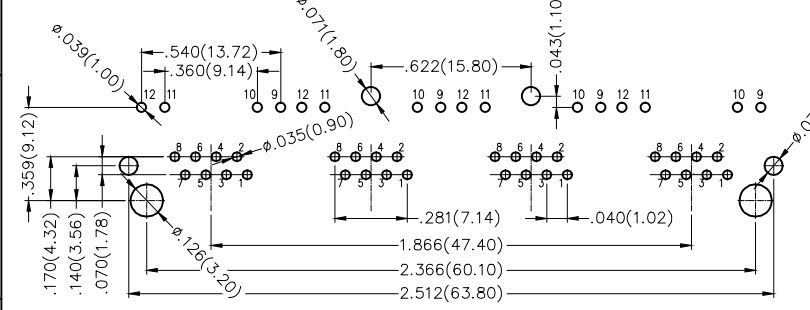
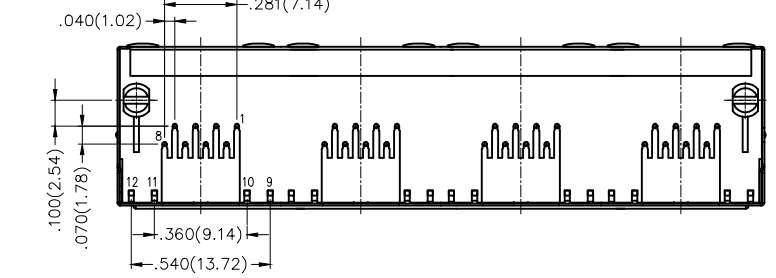
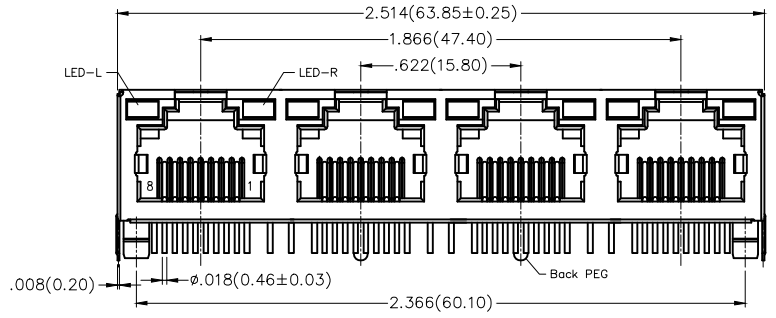
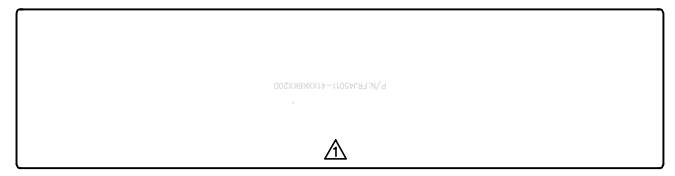
Material and plating
 Housing: Glass filled polyester (UL 94V-0), Black
 Contact: Phosphor Bronze/ Gold plated
 Shell: Copper alloy/ Nickel Plated



Ordering Information

FRJ45 011 - 4 1 XX K6 K X 2 0 0
 1 2 3 4 5 6 7 8 9

| | | | | |
|------------------------------------|--------------------------|---|-------------------------------|---|
| 1 Category FRJ45-RJ45 Connector | 2 Distinction No. 011 | 3 Ports options 4-4 Ports | 4 Plating 1-Gold Plated | 5 Thickness of plating 00-Gold flash 03-3μ' Custom plate available |
| 6 Color-Resin K6-Black | 7 Packaging K-Tray | 8 LED style 1-L: Yellow R: Green 2-L: Green R: Yellow | 9 Contact type 2-Round pin | |



Recommended P.C.Board Layout

| | | | | | | | |
|------------------------|---------------------------------------|------------------------|----------------------|-------------------|--|----------------------|--|
| THIRD ANGLE PROJECTION | GENERAL TOLERANCES (UNLESS SPECIFIED) | | APPROVE BY FRANK | DATE 09/DEC/16 | PART NO. △ FRJ45011-41XXK6KX200 | ITEM NO. FRJ45011 | |
| | DESIGN UNITS Inch (metric) | X.±.012(0.30) X'.±5' | CHECKED BY CHERRY | DATE 09/DEC/16 | TITLE RJ45 Connector 8P8C 90° Angle | | |
| SCALE 5:1 | SIZE A4 | X.XX±.006(0.15) .XX±1' | DRAWN BY KATE | DATE 09/DEC/16 | THIS DRAWING CONTAINS INFORMATION THAT IS PROPRIETARY TO DONG GUAN LANG LUN(3K-KAMING) ELECTRONIC PRODUCTS CO., LTD. AND SHOULD NOT BE USED WITHOUT WRITTEN PERMISSION | | |