

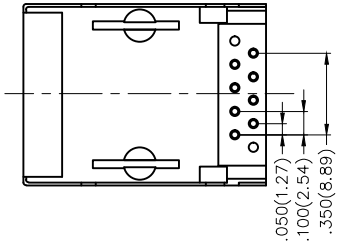
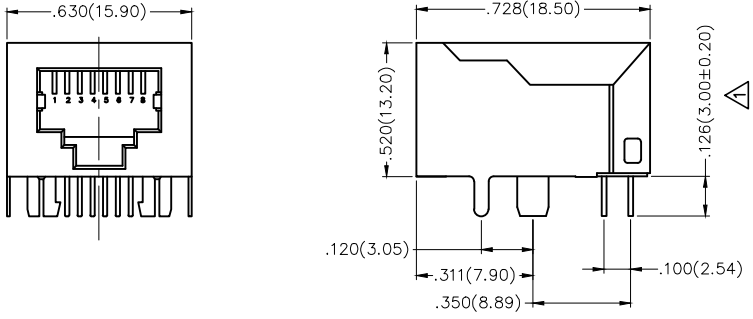
REV	LOCATIONS	DESCRIPTION	DATE	REVISER	APPD
1	△	1. Dimension: Change 3.2 into 3.00±0.20mm 2. Part No.: Change FRJ4510 into FRJ45010	01/JUN/18	Vandy	Eric



SPECIFICATIONS

Electrical Performances
 Current Rating: 1.5A AC(rms)/DC
 Voltage Rating: 125V AC(rms)/DC
 Contact Resistance: 30 mΩ Max
 Insulation Resistance: 500 MΩ MIN
 Withstanding Voltage: 1000V AC r.m.s
 Temperature Range—Operating: -40°C~+85°C

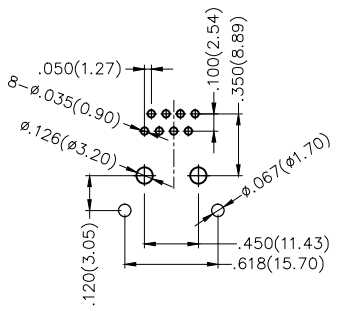
Material and Plating
 Housing: PBT UL 94V-0
 Contact: Phosphor Bronze/Gold Plated
 Shell: Copper Alloy/Nickel Plated



Ordering Information

FRJ45 010 — 1 1 XX K6 K 0 2 D 0
 1 2 3 4 5 6 7 8 9

1	Category FRJ45-RJ45 Connector	2	Distinction No. 010	3	Ports options 1-1 Port	4	Plating 1-Gold Plated		
5	Thickness of plating 00-Gold flash 03-3μ" Custom plate available	6	Color-Resin K6-Black	7	Packaging K-Tray	8	Contact type 2-Round pin	9	distinction type D-D type



Recommended P.C.Board Layout

 THIRD ANGLE PROJECTION	GENERAL TOLERANCES (UNLESS SPECIFIED) X.±.012(0.30) X.±5' X.X±.008(0.20) .X'±2' X.XX±.006(0.15) .XX'±1' X.XXX±.004(0.10) .XXX'±0.5'		APPROVE BY FRANK	DATE 1/AUG/13	PART NO. △ FRJ45010-11XXK6K02D0	ITEM NO. FRJ45010	 3K-KAMING REV 1 SHEET NO. 1/1
	DESIGN UNITS Inch (metric)	CHECKED BY CHERRY	DATE 1/AUG/13	TITLE RJ45 Connectors 8P8C 90°Angle	THIS DRAWING CONTAINS INFORMATION THAT IS PROPRIETARY TO DONG GUAN LANG LUN(3K-KAMING) ELECTRONIC PRODUCTS CO.,LTD. AND SHOULD NOT BE USED WITHOUT WRITTEN PERMISSION		
	SCALE 5:1	SIZE A4	DRAWN BY JACOB	DATE 1/AUG/13			