

REV	LOCATIONS	DESCRIPTION	DATE	REVISER	APPD
1	△	1. Dimension: Change 3.80 into 3.4mm 2. Part No.: Change FRJ45152 into FRJ45008	01/JUN/18	Vandy	Eric

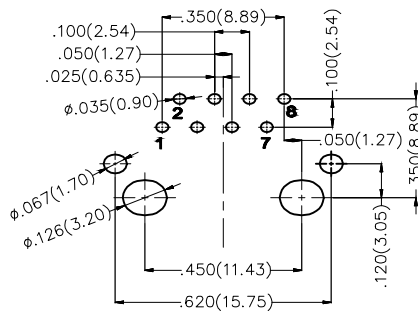
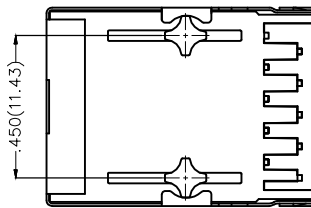
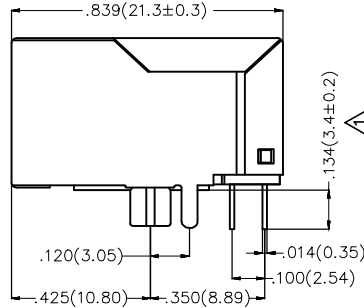
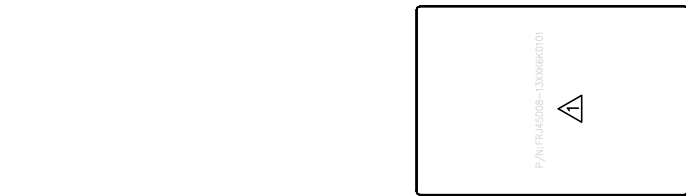
SPECIFICATIONS

Electrical

Current Rating: 1.5A AC(rms)/DC
Voltage Rating: 125V AC(rms)/DC
Contact Resistance : 30 mΩ Max
Insulation Resistance: 500 MΩ Min
Withstanding Voltage: 1000V AC r.m.s
Temperature Range Operating: -40°C~+85°C

Material and Plating

Housing: PBT (UL 94V-0) Black
Contact: Phosphor Bronze/Selective gold in contact area, tin on tail
Shell: Brass/Nickel Plated



Recommended P.C.Board Layout

Ordering Information

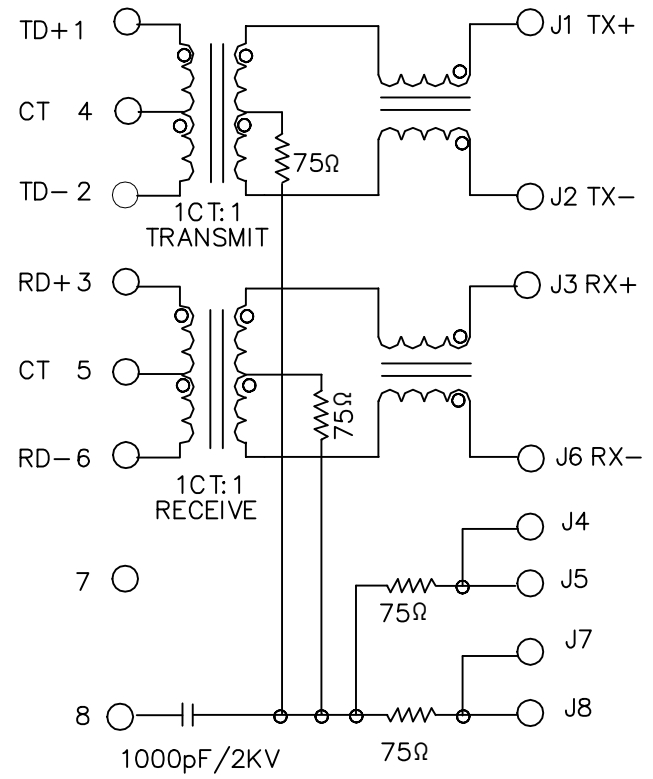
FRJ45 008 — 1 3 XX K6 K 0 1 0 1
1 2 3 4 5 6 7 8 9

1 Category FRJ45-RJ45 Connector	2 Distinction No. 008	3 Ports options 1-1 Port	4 Plating 3-Selective gold in contact area, tin on tail
5 Thickness of plating 00-Gold flash 03-3μ" Custom plate available	6 Color-Resin K6-Black	7 Packaging K-Tray	8 Contact type 1-Square pin
			9 Pin circuits 1-100Base-T

THIRD ANGLE PROJECTION	GENERAL TOLERANCES (UNLESS SPECIFIED)		APPROVE BY VERNON	DATE 07/AUG/17	PART NO. △ FRJ45008-13XXK6K0101	ITEM NO. FRJ45008	
	DESIGN UNITS Inch (metric)	X.±.010(0.25) X.X±.008(0.20)	X.±3' X.±2'	CHECKED BY KATE	DATE 07/AUG/17	TITLE RJ45 Connector 8P8C 90°Angle(100Base-T)	
SCALE 5:1	SIZE A4	X.XX±.004(0.10) X.XXX±.002(0.05)	.XX'±1.5' .XXX'±1.0'	DRAWN BY LXF	DATE 07/AUG/17	THIS DRAWING CONTAINS INFORMATION THAT IS PROPRIETARY TO DONG GUAN LANG LUN(3K-KAMING) ELECTRONIC PRODUCTS CO.,LTD. AND SHOULD NOT BE USED WITHOUT WRITTEN PERMISSION	
						REV 1	SHEET NO. 1/2

REV	LOCATIONS	DESCRIPTION	DATE	REVISER	APPD

PCB SIDE TO PHY



CABLE SIDE

Electrical Specifications@25°C±5°C						
Turns Ratio(±3%)		OCL(uH Min) @100KHz/0.1V		Insertion Loss (dB Max)		HI-Pot (Vrms)
TX	RX	With 8mA DC Bias		1-100MHz		
1CT:1CT	1CT:1CT	350		-1.0		1500
Retrun Loss (dB Min)				Cross talk (dB Min)		CMR (dB Min)
1-10MHz	10-30MHz	30-60MHz	60-80MHz	80-100MHz	1-100MHz	1-100MHz
-18	-16	-14	-12	-35	-35	-35



 THIRD ANGLE PROJECTION	GENERAL TOLERANCES (UNLESS SPECIFIED)		APPROVE BY VERNON	DATE 07/AUG/17	PART NO. FRJ45008-13XXK6K0101	ITEM NO. FRJ45008	 3K-KAMING®		
	DESIGN UNITS Inch (metric)	X.±.010(0.25) .X'±3'	CHECKED BY KATE	DATE 07/AUG/17	TITLE RJ45 Connector 8P8C 90°Angle(100Base-T)			REV 1	SHEET NO. 2/2
	SCALE 5:1	SIZE A4	X.XX±.004(0.10) .XX'±1.5'	DRAWN BY LXF	DATE 07/AUG/17	THIS DRAWING CONTAINS INFORMATION THAT IS PROPRIETARY TO DONG GUAN LANG LUN(3K-KAMING) ELECTRONIC PRODUCTS CO.,LTD. AND SHOULD NOT BE USED WITHOUT WRITTEN PERMISSION			