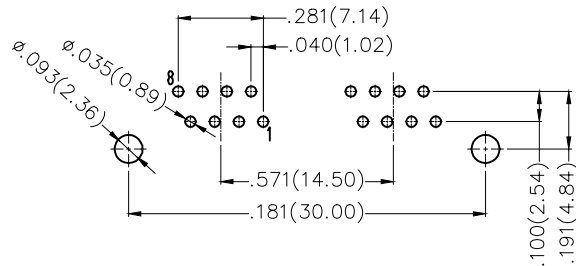
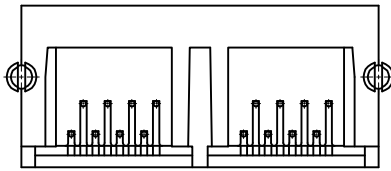
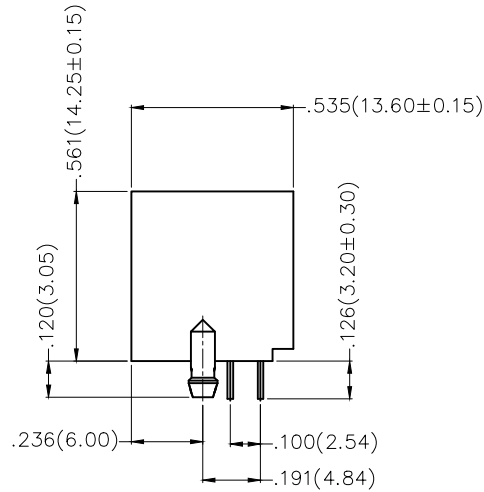
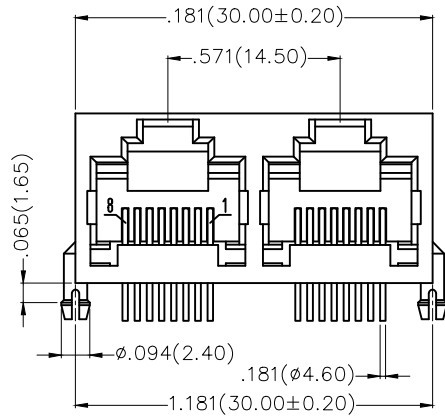


REV	LOCATIONS	DESCRIPTION	DATE	REVISER	APPD
1	△	Part No.: Change FRJ45153 into FRJ45005	31/MAY/18	KATE	ERIC



Recommended P.C.Board Layout



Electrical

Current Rating: 1.5A AC(rms)/DC  
Voltage Rating: 125V AC(rms)/DC  
Contact Resistance: 30 mΩ Max  
Insulation Resistance: 500 MΩ MIN  
Withstanding Voltage: 1000V AC r.m.s  
Temperature Range-Operating: -40°C~+85°C  
Insertion Force: 2.2 Kg Max  
Retention Strength: 7.7 Kg Between Jack And Plug

Mechanical

Durability: 750 Cycles Min

Material and Plating

Housing: Glass Filled Polyester ( UL 94V-0)  
Contact Pin: Phosphor Bronze/ Gold Plated

Ordering Information

FRJ45 005 - 2 1 XX K6 K 0 2 0 0  
1 2 3 4 5 6 7 8

1 Category FRJ45-RJ45 Connector	2 Distinction No. 005	3 Ports options 2-2 Ports	4 Plating 1-Gold Plated	5 Thickness of plating 00-Gold flash 03-3μ" Custom plate available
6 Color-Resin K6-Black	7 Packaging K-Tray	8 Contact type 2-Round pin		

 THIRD ANGLE PROJECTION DESIGN UNITS Inch (metric) SCALE 5:1 SIZE A4	GENERAL TOLERANCES (UNLESS SPECIFIED)		APPROVE BY VERNON	DATE 13/SEP/17	PART NO. △ FRJ45005-21XXK6K0200	ITEM NO. FRJ45005	 3K-KAMING REV 1 SHEET NO. 1/1
	X.±.014(0.35)	X.±5'	CHECKED BY KATE	DATE 13/SEP/17	TITLE RJ45 Connector 8P8C 90°Angle (DIP)		
	X.XX±.010(0.25)	.XX±1'	DRAWN BY LXF	DATE 13/SEP/17	THIS DRAWING CONTAINS INFORMATION THAT IS PROPRIETARY TO DONG GUAN LANG LUN(3K-KAMING) ELECTRONIC PRODUCTS CO.,LTD. AND SHOULD NOT BE USED WITHOUT WRITTEN PERMISSION		