

1 2 3 4 5 6 7 8

REV	LOCATIONS	DESCRIPTION	DATE	REVISER	APPD
1	△	1. Add the "TXGA" logo 2. Part No.: Change FRJ45155 into FRJ45002	01/JUN/18	Vandy	Eric

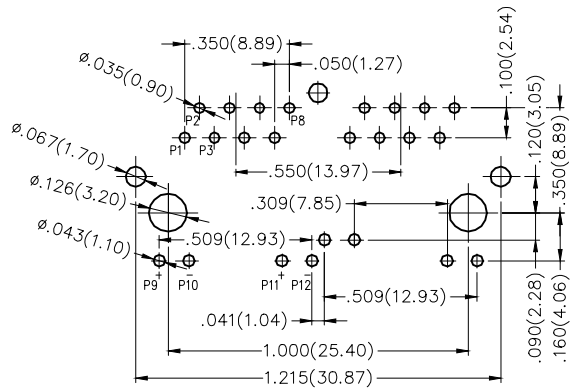
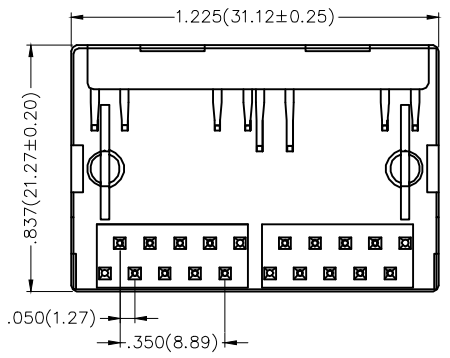
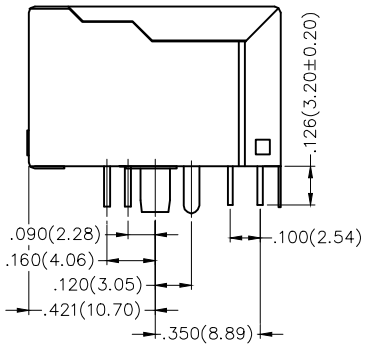
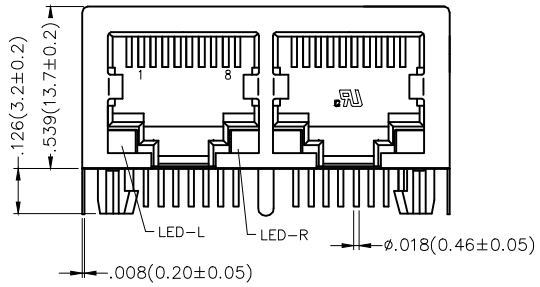
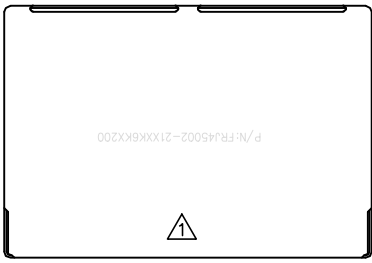
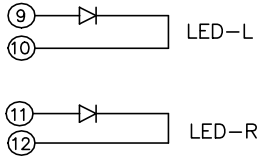
SPECIFICATIONS

Electrical

Current Rating: 1.5A AC(rms)/DC
 Voltage Rating: 125V AC(rms)/DC
 Contact Resistance: 50 mΩ Max
 Insulation Resistance: 500 MΩ Min / DC 500V
 Withstanding Voltage: 1000V AC r.m.s
 Operating Temperature: -0°C~+70°C
 Durability: 750 cycles

Material and plating

Housing: Glass filled polyester (UL 94V-0), Black
 Contact: Phosphor Bronze/ Gold plated
 Shell: Copper alloy/ Nickel Plated



Recommended P.C.Board Layout

Ordering Information

FRJ45 002 - 2 1 XX K6 K X 2 0 0
 2 3 4 5 6 7 8 9

1 Category FRJ45-RJ45 Connector	2 Distinction No. 002	3 Ports options 2-2 Ports	4 Plating 1-Gold Plated	5 Thickness of plating 00-Gold flash 02-2μ" Custom plate available
6 Color-Resin K6-Black	7 Packaging K-Tray	8 LED style 1-L: Yellow R: Green 2-L: Green R: Yellow	9 Contact type 2-Round pin	

THIRD ANGLE PROJECTION	GENERAL TOLERANCES (UNLESS SPECIFIED)		APPROVE BY FRANK	DATE 09/DEC/16	PART NO. △ FRJ45002-21XXK6KX200	ITEM NO. FRJ45002	
	DESIGN UNITS Inch (metric)	X.±.012(0.30) X.X±.008(0.20) X.XX±.006(0.15) X.XXX±.004(0.10)	X.±5° X.±2° .XX±1° .XXX±0.5°	CHECKED BY CHERRY	DATE 09/DEC/16	TITLE RJ45 Connector 8P8C 90° Angle	
SCALE 5:1	SIZE A4		DRAWN BY KATE	DATE 09/DEC/16	THIS DRAWING CONTAINS INFORMATION THAT IS PROPRIETARY TO DONG GUAN LANG LUN(3K-KAMING) ELECTRONIC PRODUCTS CO.,LTD. AND SHOULD NOT BE USED WITHOUT WRITTEN PERMISSION		REV 1 SHEET NO. 1/1

1 2 3 4 5 6 7 8