

REV	LOCATIONS	DESCRIPTION	DATE	REVISER	APPD
1	△	1. Add the "TXGA" logo 2. Part No.: Change FRJ45144 into FRJ45016	31/MAY/18	KATE	ERIC

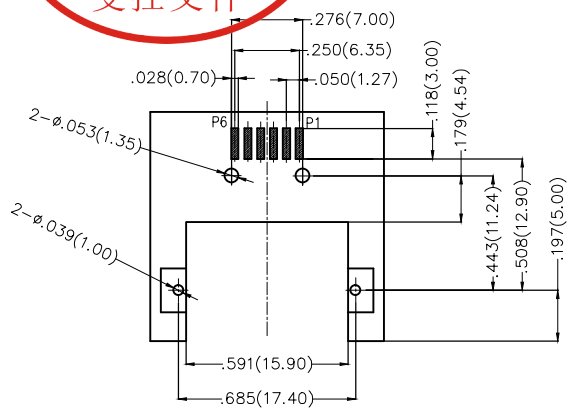
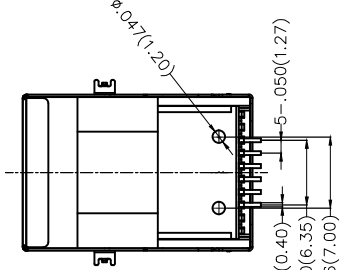
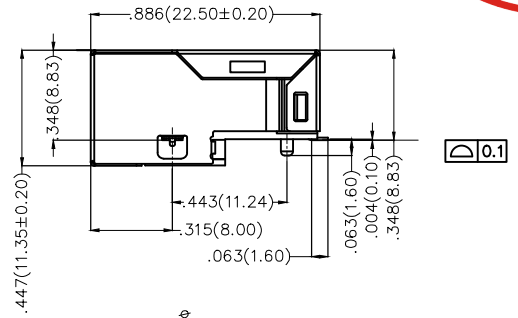
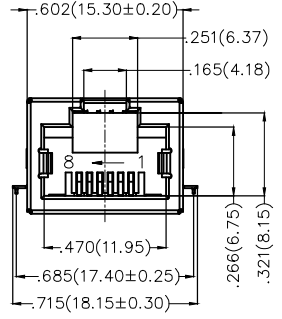
SPECIFICATIONS

Electrical

Current Rating: 1.5A AC(rms)/DC
Voltage Rating: 125V AC(rms)/DC
Contact Resistance: 30 mΩ Max
Insulation Resistance: 500 MΩ Min / DC 500V
Withstanding Voltage: 500V AC r.m.s
Operating Temperature: -0°C~+70°C

Material and Plating

Housing: LCP (UL 94V-0) Black
Contact: Phosphor Bronze/ Selective gold in contact area, tin on tail
Shell: Brass/Nickel Plated



Recommended P.C.Board Layout

Ordering Information

FRJ45 016 - 1 3 XX K6 K 0 1 0 1
1 2 3 4 5 6 7 8 9

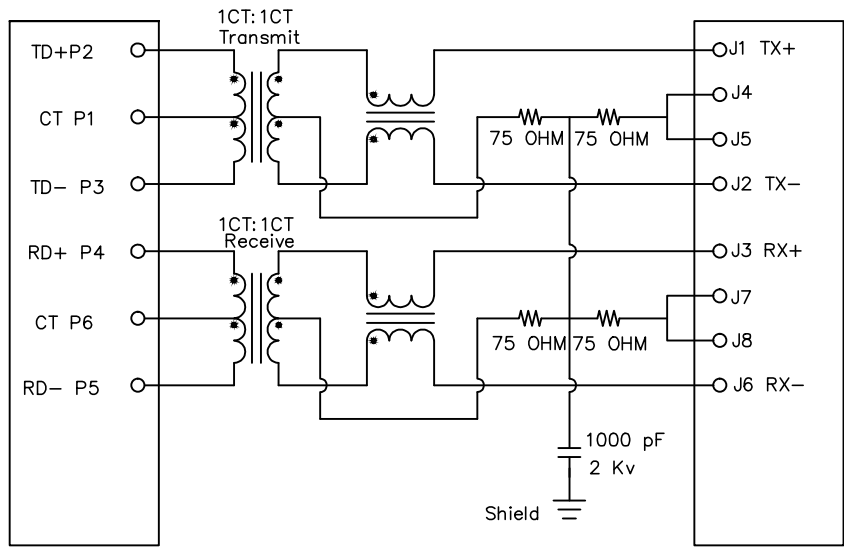
1	Category FRJ45-RJ45 Connector	2	Distinction No. 016	3	Ports options 1-1 Port	4	Plating 3-Selective gold in contact area, tin on tail		
5	Thickness of plating 00-Gold flash 03-3μ" Custom plate available	6	Color-Resin K6-Black	7	Packaging K-Tray	8	Contact type 1-Square pin	9	Pin circuits 1-100Base-T

 THIRD ANGLE PROJECTION	GENERAL TOLERANCES (UNLESS SPECIFIED)		APPROVE BY FRANK	DATE 01/AUG/17	PART NO. △ FRJ45016-13XXK6K010	ITEM NO. FRJ45016	 3K-KAMING	
	DESIGN UNITS Inch (metric)	X.±.012(0.30) X.X±.008(0.20) X.XX±.006(0.15) X.XXX±.004(0.10)	X.±5° .X'±2° .XX'±1° .XXX'±0.5'	CHECKED BY CHERRY	DATE 01/AUG/17	TITLE RJ45 Connector 6P6C 90°Angle(100Base-T)		REV 1
SCALE 5:1	SIZE A4	DRAWN BY LXF		DATE 01/AUG/17	THIS DRAWING CONTAINS INFORMATION THAT IS PROPRIETARY TO DONG GUAN LANG LUN(3K-KAMING) ELECTRONIC PRODUCTS CO.,LTD. AND SHOULD NOT BE USED WITHOUT WRITTEN PERMISSION			

REV	LOCATIONS	DESCRIPTION	DATE	REVISER	APPD



Electrical Specifications@25°C±5°C						
Turns Ratio(±3%)		OCL(uH Min) @100KHz/0.1V		Insertion Loss (dB Max)		HI-Pot (Vrms)
TX	RX	With 8mA DC Bias		1-100MHz		
1CT:1CT	1CT:1CT	350		-1.0		1000
Retrun Loss (dB Min)			Cross talk (dB Min)			CMR (dB Min)
1-30MHz	30-60MHz	60-80MHz	1-30MHz	30-60MHz	60-80MHz	1-100MHz
-16	-14	-10	-40	-35	-30	-35



 THIRD ANGLE PROJECTION	GENERAL TOLERANCES (UNLESS SPECIFIED)		APPROVE BY FRANK	DATE 01/AUG/17	PART NO. FRJ45016-13XXK6K0101	ITEM NO. FRJ45016	 3K-KAMING®
	DESIGN UNITS Inch (metric)	X.±0.12(0.30) X'.±5'	CHECKED BY CHERRY	DATE 01/AUG/17	TITLE RJ45 Connector 6P6C 90°Angle(100Base-T)		
SCALE 5:1	SIZE A4	X.XX±.006(0.15) .XX±1"	DRAWN BY LXF	DATE 01/AUG/17	THIS DRAWING CONTAINS INFORMATION THAT IS PROPRIETARY TO DONG GUAN LANG LUN(3K-KAMING) ELECTRONIC PRODUCTS CO.,LTD. AND SHOULD NOT BE USED WITHOUT WRITTEN PERMISSION		