

REV	LOCATIONS	DESCRIPTION	DATE	REVISER	APPD
1	△	Part No.: Change FRJ1118 into FRJ11004	05/JUN/18	KATE	ERIC

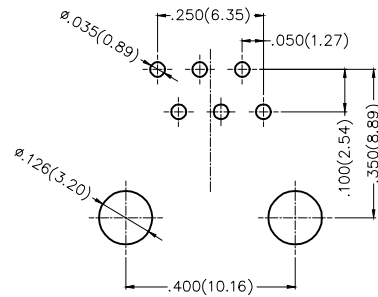
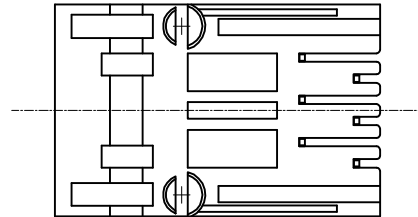
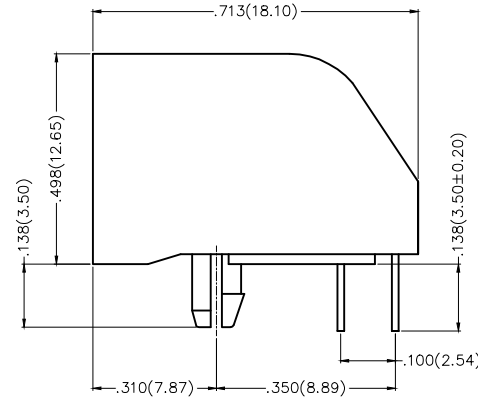
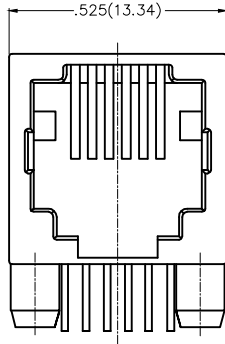
SPECIFICATIONS

Electrical Performances

Current Rating: 1.5A AC(rms)/DC
Voltage Rating: 125V AC(rms)/DC
Contact Resistance: 30 mΩ Max
Insulation Resistance: 500 MΩ Min
Withstanding Voltage: 1000V AC r.m.s
Temperature Range-Operating: -40°C~+85°C
Durability: 750 Cycles Min.

Material and Plating

Housing: PBT (UL 94V-0) Black
Contact: Phosphor Bronze/ Selective gold in contact area, matte tin on tail



Recommended P.C.Board Layout



Ordering Information

FRJ11 004 — 1 3 XX K6 K 1 0
1 2 3 4 5 6 7 8

1 Category FRJ11-RJ11 Connector	2 Distinction No. 004	3 Ports options 1-1 Port	4 Plating 3-Selective gold in contact area, tin on tail
5 Thickness of plating 00-Gold flash 03-3μ" Custom plate available	6 Color-Resin K6-Black	7 Packaging K-Tray	8 Contact type 1-Square pin

<p>THIRD ANGLE PROJECTION</p>	GENERAL TOLERANCES (UNLESS SPECIFIED)		APPROVE BY FRANK	DATE 18/SEP/16	PART NO. △ FRJ11004-13XXK6K10	ITEM NO. FRJ11004	<p>3K-KAMING</p>
	X.±.012(0.30)	X'±5'	CHECKED BY CHERRY	DATE 18/SEP/16	TITLE RJ11 Connector 6P6C 90° Angle		
DESIGN UNITS Inch (metric)	X.X±.008(0.20)	.X'±2'	DRAWN BY KATE	DATE 18/SEP/16	THIS DRAWING CONTAINS INFORMATION THAT IS PROPRIETARY TO DONG GUAN LANG LUN(3K-KAMING) ELECTRONIC PRODUCTS CO., LTD. AND SHOULD NOT BE USED WITHOUT WRITTEN PERMISSION		
SCALE 5:1	SIZE A4	X.XX±.006(0.15)	.XX'±1'				
		X.XXX±.004(0.10)	.XXX'±0.5'				